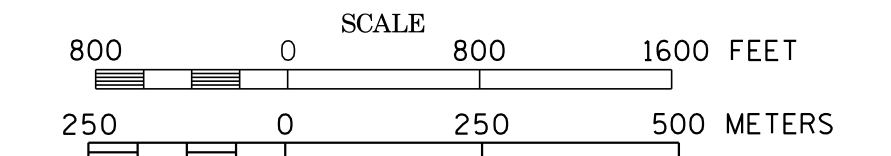
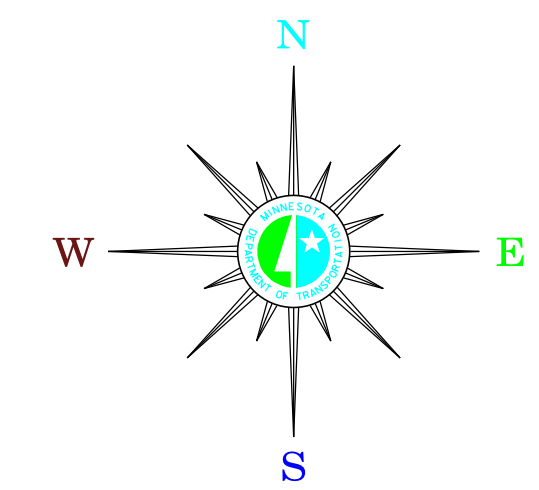


MUNICIPALITIES OF
MILLE LACS CO.

PREPARED BY THE
MINNESOTA DEPARTMENT OF TRANSPORTATION
OFFICE OF TRANSPORTATION SYSTEM MANAGEMENT
IN COOPERATION WITH
U.S. DEPARTMENT OF TRANSPORTATION
FEDERAL HIGHWAY ADMINISTRATION



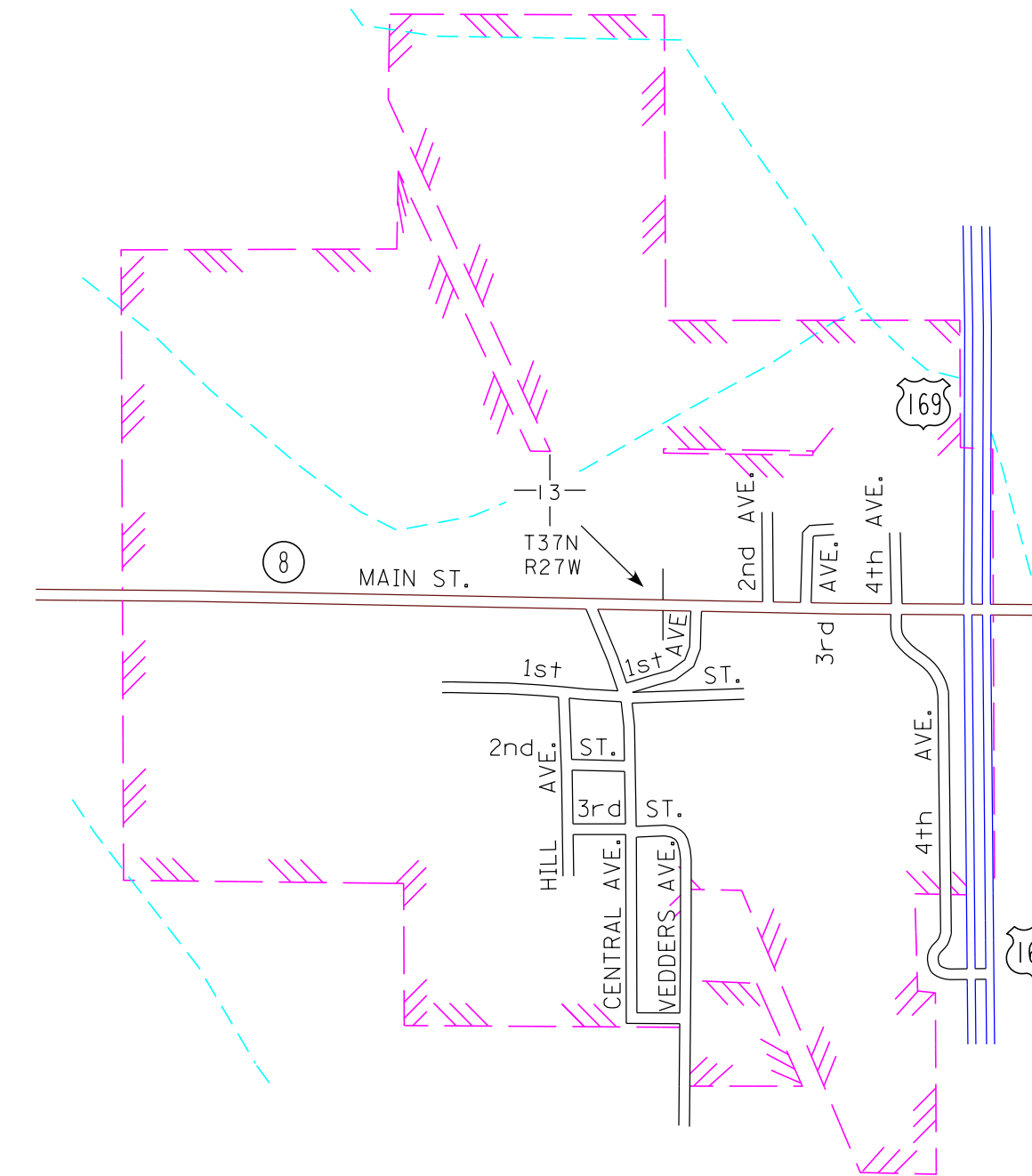
2015
BASIC DATA - 2013



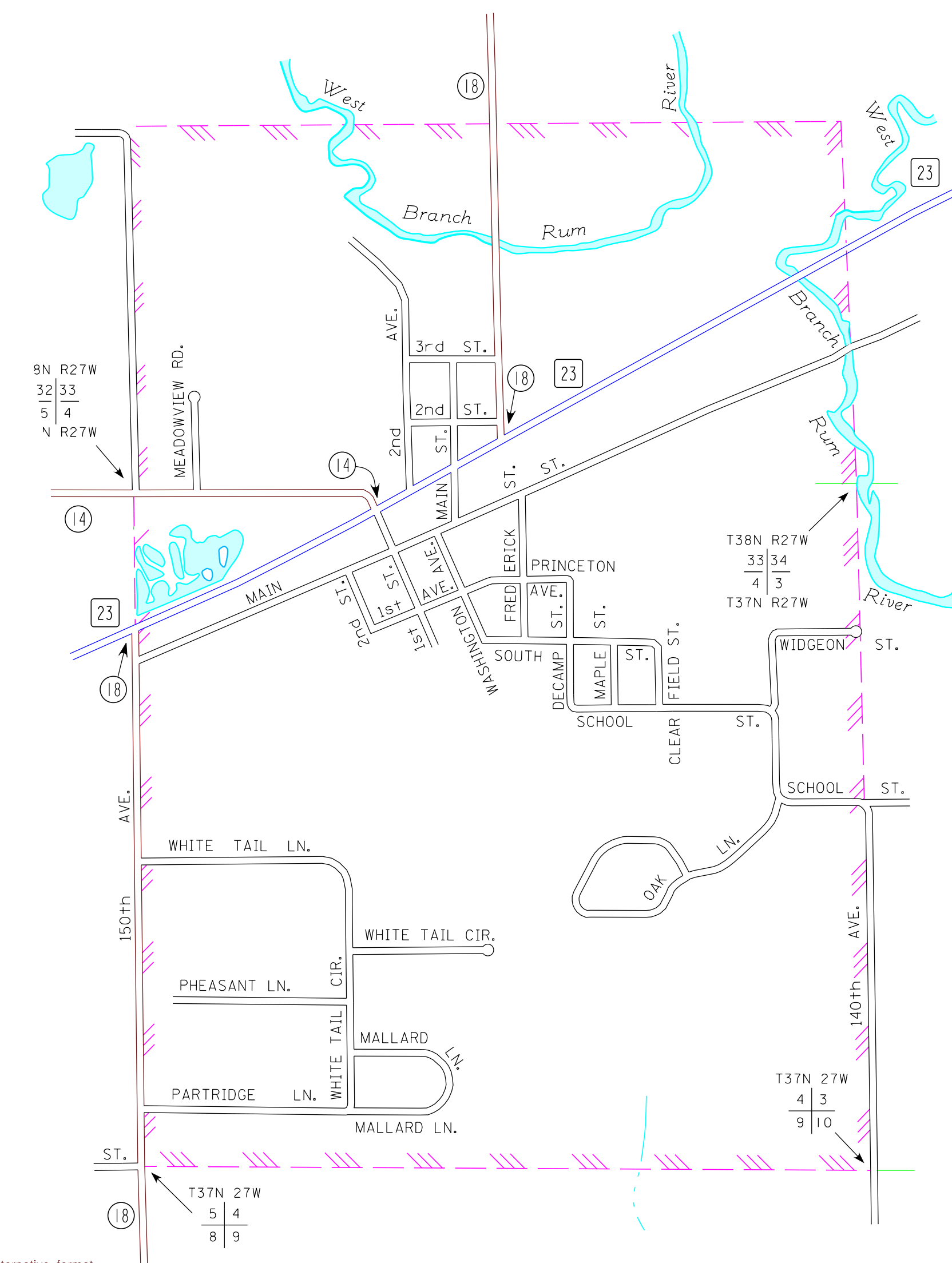
LEGEND

- INTERSTATE TRUNK HIGHWAY..... (I-95)
- U.S. TRUNK HIGHWAY..... (169)
- STATE TRUNK HIGHWAY..... (36)
- COUNTY STATE AID HIGHWAY..... (23)
- COUNTY ROAD..... (14)
- PUBLIC ROAD.....
- PRIVATE ROAD.....
- CORPORATE LIMITS.....

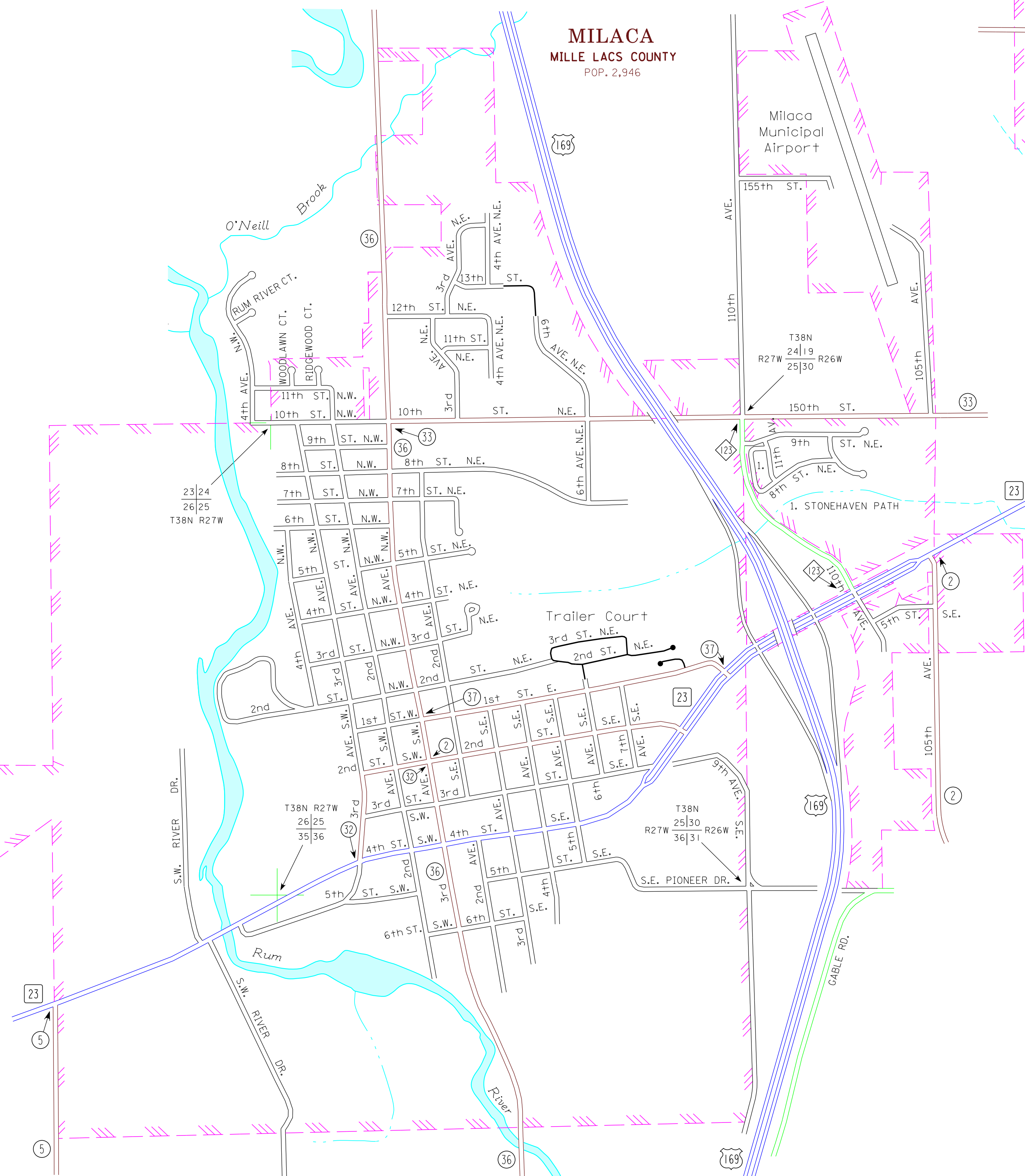
PEASE
MILLE LACS COUNTY
POP. 242



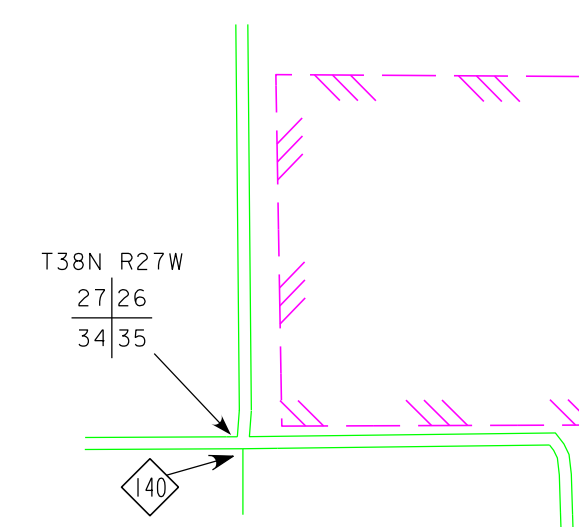
FORESTON
MILLE LACS COUNTY
POP. 533



MILACA
MILLE LACS COUNTY
POP. 2,946



T38N R27W
27 26
34 35



To request information from this document in an alternative format, call 651-366-4718 or 1-800-657-3774 (Greater Minnesota); 711 or 1-800-627-3529 (Minnesota Relay). You may also send an e-mail to ADArequest.dot@state.mn.us. (Please request at least one week in advance).

NOTE: 2010 U.S. CENSUS FIGURES SHOWN FOR ALL MUNICIPALITIES UNLESS OTHERWISE STATED.

MUNICIPALITIES SHOWN
ON THIS SHEET
FORESTON
MILACA
PEASE