

TRAFFIC DATA

US 169 & Riverview Rd WR
 City: Eden Prairie
 Data by: Flow Labs
 Turning Movement Count

File Name: US 169 & Riverview Rd WR 2024
 Dates: 9/3/2024 - 9/19/24, No Holidays, Average
 Day of Week: Tuesday, Wednesday, Thursday
 Page No.: 1

Start Time	US 169 SB Off-Ramp Southbound				Riverview Rd Westbound				US 169 SB On-Ramp Northbound				Riverview Rd Eastbound				Int. Total
	Left	Thru	Right	Peds	Left	Thru	Right	Peds	Left	Thru	Right	Peds	Left	Thru	Right	Peds	
0:00	8	0	1	0	8	1	0	0	0	0	0	0	0	0	1	0	19
0:15	1	1	1	0	8	1	0	0	0	0	0	0	0	2	0	0	14
0:30	6	0	1	0	8	1	0	0	0	0	0	0	0	1	1	0	18
0:45	5	0	1	0	9	1	0	0	0	0	0	0	0	1	1	0	18
Total	20	1	4	0	33	4	0	0	0	0	0	0	0	4	3	0	69
1:00	3	1	0	0	7	0	0	0	0	0	0	0	0	0	1	0	12
1:15	2	0	1	0	13	1	0	0	0	0	0	0	0	0	1	0	18
1:30	2	1	0	0	3	0	0	0	0	0	0	0	0	0	1	0	7
1:45	1	1	1	0	4	1	0	0	0	0	0	0	0	0	0	0	8
Total	8	3	2	0	27	2	0	0	0	0	0	0	0	0	3	0	45
2:00	0	0	1	0	4	1	0	0	0	0	0	0	0	1	0	0	7
2:15	0	1	1	0	5	2	0	0	0	0	0	0	0	0	0	0	9
2:30	1	0	1	0	6	1	0	0	0	0	0	0	0	0	1	0	10
2:45	2	0	0	0	3	0	0	0	0	0	0	0	0	0	0	0	5
Total	3	1	3	0	18	4	0	0	0	0	0	0	0	1	1	0	31
3:00	2	0	0	0	9	1	0	0	0	0	0	0	0	0	1	0	13
3:15	4	0	0	0	5	0	0	0	0	0	0	0	0	0	2	0	11
3:30	6	0	0	0	6	1	0	0	0	0	0	0	0	1	3	0	17
3:45	1	1	1	0	5	1	0	0	0	0	0	0	0	0	1	0	10
Total	13	1	1	0	25	3	0	0	0	0	0	0	0	1	7	0	51
4:00	3	0	1	0	4	1	0	0	0	0	0	0	0	1	0	0	10
4:15	3	0	2	0	3	2	0	0	0	0	0	0	0	1	1	0	12
4:30	4	0	0	0	7	1	0	0	0	0	0	0	0	6	2	0	20
4:45	4	0	3	0	11	1	0	0	0	0	0	0	0	3	1	0	23
Total	14	0	6	0	25	5	0	0	0	0	0	0	0	11	4	0	65

TRAFFIC DATA

US 169 & Riverview Rd WR
 City: Eden Prairie
 Data by: Flow Labs
 Turning Movement Count

File Name: US 169 & Riverview Rd WR 2024
 Dates: 9/3/2024 - 9/19/24, No Holidays, Average
 Day of Week: Tuesday, Wednesday, Thursday
 Page No.: 2

Start Time	US 169 SB Off-Ramp Southbound				Riverview Rd Westbound				US 169 SB On-Ramp Northbound				Riverview Rd Eastbound				Int. Total
	Left	Thru	Right	Peds	Left	Thru	Right	Peds	Left	Thru	Right	Peds	Left	Thru	Right	Peds	
5:00	3	0	1	0	9	1	0	0	0	0	0	0	0	4	1	0	19
5:15	7	0	1	0	17	3	0	0	0	0	0	0	0	6	1	0	35
5:30	17	1	0	0	21	2	0	0	0	0	0	0	0	6	2	0	49
5:45	29	0	1	0	32	3	0	0	0	0	0	0	0	8	1	0	74
Total	56	1	3	0	79	9	0	0	0	0	0	0	0	24	5	0	177
6:00	22	0	2	0	45	3	0	0	0	0	0	0	0	4	3	0	79
6:15	25	0	3	0	34	3	0	0	0	0	0	0	0	18	3	0	86
6:30	47	1	3	0	56	6	0	0	0	0	0	0	0	24	2	0	139
6:45	75	0	5	0	66	11	0	0	0	0	0	0	0	30	2	0	189
Total	169	1	13	0	201	23	0	0	0	0	0	0	0	76	10	0	493
7:00	48	0	6	0	77	16	0	0	0	0	0	0	0	45	9	0	201
7:15	60	1	13	0	86	34	0	0	0	0	0	0	0	46	14	0	254
7:30	86	1	8	0	77	24	0	0	0	0	0	0	0	49	9	0	254
7:45	138	1	17	0	108	49	0	0	0	0	0	0	0	55	12	0	380
Total	332	3	44	0	348	123	0	0	0	0	0	0	0	195	44	0	1089
8:00	93	0	8	0	97	34	0	0	0	0	0	0	0	37	13	0	282
8:15	70	0	11	0	89	31	0	0	0	0	0	0	0	40	13	0	254
8:30	99	2	8	0	84	35	0	0	0	0	0	0	0	45	16	0	289
8:45	73	1	7	0	79	32	0	0	0	0	0	0	0	38	14	0	244
Total	335	3	34	0	349	132	0	0	0	0	0	0	0	160	56	0	1069
9:00	69	4	13	0	92	22	0	0	0	0	0	0	0	25	13	0	238
9:15	65	3	11	0	83	25	0	0	0	0	0	0	0	33	14	0	234
9:30	58	7	10	0	91	37	0	0	0	0	0	0	0	44	20	0	267
9:45	54	6	8	0	87	20	0	0	0	0	0	0	0	32	12	0	219
Total	246	20	42	0	353	104	0	0	0	0	0	0	0	134	59	0	958

TRAFFIC DATA

US 169 & Riverview Rd WR
 City: Eden Prairie
 Data by: Flow Labs
 Turning Movement Count

File Name: US 169 & Riverview Rd WR 2024
 Dates: 9/3/2024 - 9/19/24, No Holidays, Average
 Day of Week: Tuesday, Wednesday, Thursday
 Page No.: 3

Start Time	US 169 SB Off-Ramp Southbound				Riverview Rd Westbound				US 169 SB On-Ramp Northbound				Riverview Rd Eastbound				Int. Total
	Left	Thru	Right	Peds	Left	Thru	Right	Peds	Left	Thru	Right	Peds	Left	Thru	Right	Peds	
10:00	56	1	11	0	95	22	0	0	0	0	0	0	0	21	9	0	215
10:15	38	3	11	0	95	26	0	0	0	0	0	0	0	24	11	0	208
10:30	49	4	11	0	94	25	0	0	0	0	0	0	0	27	16	0	226
10:45	49	2	11	0	92	20	0	0	0	0	0	0	0	25	17	0	216
Total	192	10	44	0	376	93	0	0	0	0	0	0	0	97	53	0	865
11:00	61	3	13	0	110	28	0	0	0	0	0	0	0	23	12	0	250
11:15	50	9	14	0	97	21	0	0	0	0	0	0	0	24	16	0	231
11:30	54	3	6	0	127	22	0	0	0	0	0	0	0	30	16	0	258
11:45	61	4	11	0	121	18	0	0	0	0	0	0	0	25	18	0	258
Total	226	19	44	0	455	89	0	0	0	0	0	0	0	102	62	0	997
12:00	56	6	9	0	142	18	0	0	0	0	0	0	0	31	13	0	275
12:15	53	5	14	0	122	24	0	0	0	0	0	0	0	29	13	0	260
12:30	57	7	10	0	86	28	0	0	0	0	0	0	0	23	17	0	228
12:45	59	4	11	0	97	19	0	0	0	0	0	0	0	29	17	0	236
Total	225	22	44	0	447	89	0	0	0	0	0	0	0	112	60	0	999
13:00	48	1	13	0	99	17	0	0	0	0	0	0	0	24	12	0	214
13:15	51	1	13	0	102	19	0	0	0	0	0	0	0	21	15	0	222
13:30	63	0	12	0	123	24	0	0	0	0	0	0	0	23	11	0	256
13:45	70	1	9	0	114	19	0	0	0	0	0	0	0	25	11	0	249
Total	232	3	47	0	438	79	0	0	0	0	0	0	0	93	49	0	941
14:00	66	1	13	0	172	22	0	0	0	0	0	0	0	22	14	0	310
14:15	67	0	11	0	130	25	0	0	0	0	0	0	0	27	14	0	274
14:30	62	1	13	0	173	23	0	0	0	0	0	0	0	30	9	0	311
14:45	79	1	9	0	136	18	0	0	0	0	0	0	0	25	16	0	284
Total	274	3	46	0	611	88	0	0	0	0	0	0	0	104	53	0	1179

TRAFFIC DATA

US 169 & Riverview Rd WR
 City: Eden Prairie
 Data by: Flow Labs
 Turning Movement Count

File Name: US 169 & Riverview Rd WR 2024
 Dates: 9/3/2024 - 9/19/24, No Holidays, Average
 Day of Week: Tuesday, Wednesday, Thursday
 Page No.: 4

Start Time	US 169 SB Off-Ramp Southbound				Riverview Rd Westbound				US 169 SB On-Ramp Northbound				Riverview Rd Eastbound				Int. Total
	Left	Thru	Right	Peds	Left	Thru	Right	Peds	Left	Thru	Right	Peds	Left	Thru	Right	Peds	
15:00	71	2	11	0	171	33	0	0	0	0	0	0	0	31	14	0	333
15:15	61	0	7	0	166	26	0	0	0	0	0	0	0	29	15	0	304
15:30	66	1	7	0	203	32	0	0	0	0	0	0	0	35	16	0	360
15:45	64	1	9	0	193	40	0	0	0	0	0	0	0	32	26	0	365
Total	262	4	34	0	733	131	0	0	0	0	0	0	0	127	71	0	1362
16:00	77	2	7	0	237	38	0	0	0	0	0	0	0	33	25	0	419
16:15	65	2	10	0	272	38	0	0	0	0	0	0	0	49	22	0	458
16:30	56	2	9	0	290	46	0	0	0	0	0	0	0	48	39	0	490
16:45	61	4	7	0	309	46	0	0	0	0	0	0	0	52	48	0	527
Total	259	10	33	0	1108	168	0	0	0	0	0	0	0	182	134	0	1894
17:00	62	2	6	0	283	45	0	0	0	0	0	0	0	62	36	0	496
17:15	62	2	8	0	249	38	0	0	0	0	0	0	0	46	45	0	450
17:30	56	3	13	0	207	44	0	0	0	0	0	0	0	48	29	0	400
17:45	71	1	23	0	169	36	0	0	0	0	0	0	0	39	18	0	357
Total	251	8	50	0	908	163	0	0	0	0	0	0	0	195	128	0	1703
18:00	77	0	28	0	149	36	0	0	0	0	0	0	0	28	14	0	332
18:15	67	1	20	0	138	28	0	0	0	0	0	0	0	30	16	0	300
18:30	65	1	17	0	92	24	0	0	0	0	0	0	0	29	13	0	241
18:45	56	1	13	0	101	17	0	0	0	0	0	0	0	24	7	0	219
Total	265	3	78	0	480	105	0	0	0	0	0	0	0	111	50	0	1092
19:00	48	1	18	0	94	21	0	0	0	0	0	0	0	24	6	0	212
19:15	35	1	9	0	83	15	0	0	0	0	0	0	0	16	6	0	165
19:30	49	1	14	0	85	15	0	0	0	0	0	0	0	14	11	0	189
19:45	45	1	12	0	69	14	0	0	0	0	0	0	0	13	4	0	158
Total	177	4	53	0	331	65	0	0	0	0	0	0	0	67	27	0	724

TRAFFIC DATA

US 169 & Riverview Rd WR
 City: Eden Prairie
 Data by: Flow Labs
 Turning Movement Count

File Name: US 169 & Riverview Rd WR 2024
 Dates: 9/3/2024 - 9/19/24, No Holidays, Average
 Day of Week: Tuesday, Wednesday, Thursday
 Page No.: 5

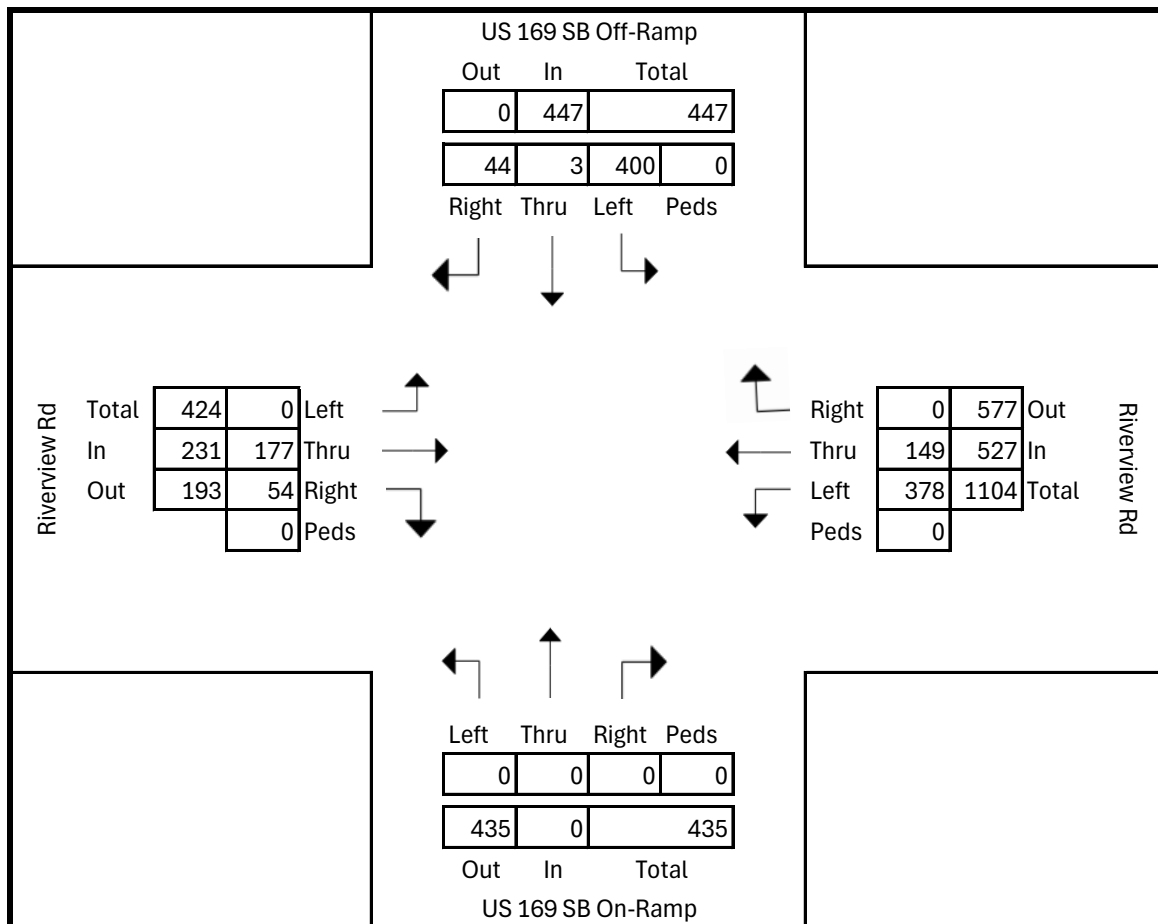
Start Time	US 169 SB Off-Ramp Southbound				Riverview Rd Westbound				US 169 SB On-Ramp Northbound				Riverview Rd Eastbound				Int. Total
	Left	Thru	Right	Peds	Left	Thru	Right	Peds	Left	Thru	Right	Peds	Left	Thru	Right	Peds	
20:00	45	0	18	0	105	20	0	0	0	0	0	0	0	12	4	0	204
20:15	48	1	14	0	67	15	0	0	0	0	0	0	0	13	6	0	164
20:30	37	1	16	0	65	11	0	0	0	0	0	0	0	7	3	0	140
20:45	35	1	13	0	51	15	0	0	0	0	0	0	0	8	3	0	126
Total	165	3	61	0	288	61	0	0	0	0	0	0	0	40	16	0	634
21:00	31	0	7	0	56	9	0	0	0	0	0	0	0	7	3	0	113
21:15	40	0	12	0	50	10	0	0	0	0	0	0	0	6	4	0	122
21:30	30	0	11	0	41	14	0	0	0	0	0	0	0	8	2	0	106
21:45	27	1	8	0	36	8	0	0	0	0	0	0	0	5	2	0	87
Total	128	1	38	0	183	41	0	0	0	0	0	0	0	26	11	0	428
22:00	16	0	8	0	23	8	0	0	0	0	0	0	0	4	4	0	63
22:15	25	1	10	0	28	4	0	0	0	0	0	0	0	4	1	0	73
22:30	18	0	1	0	27	2	0	0	0	0	0	0	0	4	2	0	54
22:45	17	1	4	0	21	2	0	0	0	0	0	0	0	4	1	0	50
Total	76	2	23	0	99	16	0	0	0	0	0	0	0	16	8	0	240
23:00	12	1	3	0	19	4	0	0	0	0	0	0	0	2	1	0	42
23:15	9	0	2	0	12	2	0	0	0	0	0	0	0	3	2	0	30
23:30	11	0	2	0	15	6	0	0	0	0	0	0	0	2	1	0	37
23:45	9	0	2	0	14	3	0	0	0	0	0	0	0	1	1	0	30
Total	41	1	9	0	60	15	0	0	0	0	0	0	0	8	5	0	139
Grand Total	3969	127	756	0	7975	1612	0	0	0	0	0	0	0	1886	919	0	17244
Apprch %	81.8	2.62	15.6	0	83.2	16.8	0	0	-	-	-	-	0	67.2	32.8	0	
Total %	0.23	0.01	0.04	0	0.46	0.09	0	0	0	0	0	0	0	0.11	0.05	0	

TRAFFIC DATA

US 169 & Riverview Rd WR
City: Eden Prairie
Data by: Flow Labs
Turning Movement Count

File Name: US 169 & Riverview Rd WR 2024
Dates: 9/3/2024 - 9/19/24, No Holidays, Average
Day of Week: Tuesday, Wednesday, Thursday
Page No.: 6

AM PEAK	US 169 SB Off-Ramp Southbound				Riverview Rd Westbound				US 169 SB On-Ramp Northbound				Riverview Rd Eastbound				Int. Total
	Left	Thru	Right	Peds	Left	Thru	Right	Peds	Left	Thru	Right	Peds	Left	Thru	Right	Peds	
7:45	138	1	17	0	108	49	0	0	0	0	0	0	0	55	12	0	380
8:00	93	0	8	0	97	34	0	0	0	0	0	0	0	37	13	0	282
8:15	70	0	11	0	89	31	0	0	0	0	0	0	0	40	13	0	254
8:30	99	2	8	0	84	35	0	0	0	0	0	0	0	45	16	0	289
Total Volume	400	3	44	0	378	149	0	0	0	0	0	0	0	177	54	0	1205
% App. Total	89.5	0.67	9.84	0	71.7	28.3	0	0	-	-	-	-	0	76.6	23.4	0	
PHF	0.72	0.38	0.65	0	0.88	0.76	-	0	-	-	-	-	-	0.8	0.84	0	0.79
App. PHF	0.72				0.84				-				0.86				

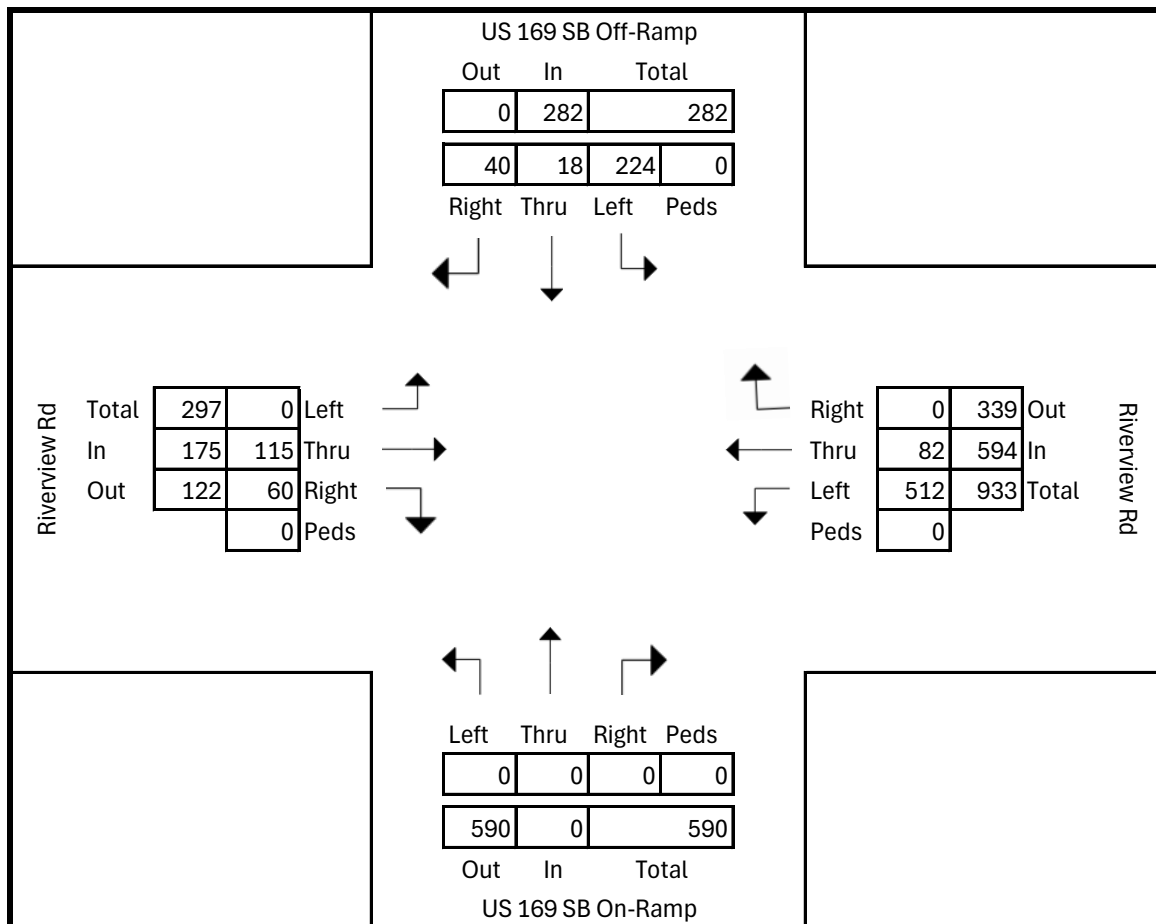


TRAFFIC DATA

US 169 & Riverview Rd WR
City: Eden Prairie
Data by: Flow Labs
Turning Movement Count

File Name: US 169 & Riverview Rd WR 2024
Dates: 9/3/2024 - 9/19/24, No Holidays, Average
Day of Week: Tuesday, Wednesday, Thursday
Page No.: 7

MID PEAK	US 169 SB Off-Ramp Southbound				Riverview Rd Westbound				US 169 SB On-Ramp Northbound				Riverview Rd Eastbound				Int. Total
	Left	Thru	Right	Peds	Left	Thru	Right	Peds	Left	Thru	Right	Peds	Left	Thru	Right	Peds	
11:30	54	3	6	0	127	22	0	0	0	0	0	0	0	30	16	0	258
11:45	61	4	11	0	121	18	0	0	0	0	0	0	0	25	18	0	258
12:00	56	6	9	0	142	18	0	0	0	0	0	0	0	31	13	0	275
12:15	53	5	14	0	122	24	0	0	0	0	0	0	0	29	13	0	260
Total Volume	224	18	40	0	512	82	0	0	0	0	0	0	0	115	60	0	1051
% App. Total	79.4	6.38	14.2	0	86.2	13.8	0	0	-	-	-	-	0	65.7	34.3	0	
PHF	0.92	0.75	0.71	0	0.9	0.85	-	0	-	-	-	-	-	0.93	0.83	0	0.96
App. PHF	0.93				0.93				-				0.95				

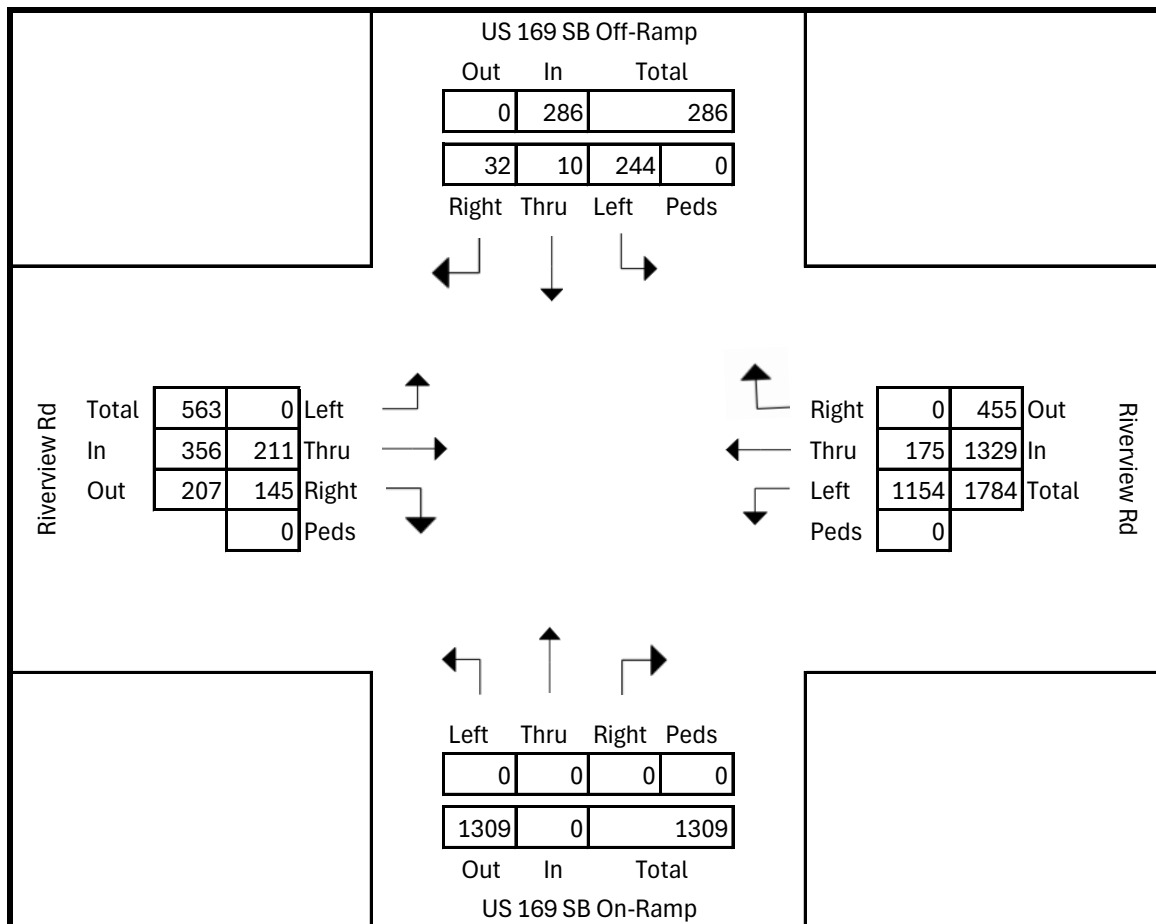


TRAFFIC DATA

US 169 & Riverview Rd WR
City: Eden Prairie
Data by: Flow Labs
Turning Movement Count

File Name: US 169 & Riverview Rd WR 2024
Dates: 9/3/2024 - 9/19/24, No Holidays, Average
Day of Week: Tuesday, Wednesday, Thursday
Page No.: 8

PM PEAK	US 169 SB Off-Ramp Southbound				Riverview Rd Westbound				US 169 SB On-Ramp Northbound				Riverview Rd Eastbound				Int. Total
	Left	Thru	Right	Peds	Left	Thru	Right	Peds	Left	Thru	Right	Peds	Left	Thru	Right	Peds	
16:15	65	2	10	0	272	38	0	0	0	0	0	0	0	49	22	0	458
16:30	56	2	9	0	290	46	0	0	0	0	0	0	0	48	39	0	490
16:45	61	4	7	0	309	46	0	0	0	0	0	0	0	52	48	0	527
17:00	62	2	6	0	283	45	0	0	0	0	0	0	0	62	36	0	496
Total Volume	244	10	32	0	1154	175	0	0	0	0	0	0	0	211	145	0	1971
% App. Total	85.3	3.5	11.2	0	86.8	13.2	0	0	-	-	-	-	0	59.3	40.7	0	
PHF	0.94	0.63	0.8	0	0.93	0.95	-	0	-	-	-	-	-	0.85	0.76	0	0.94
App. PHF	0.93				0.94				-				0.89				



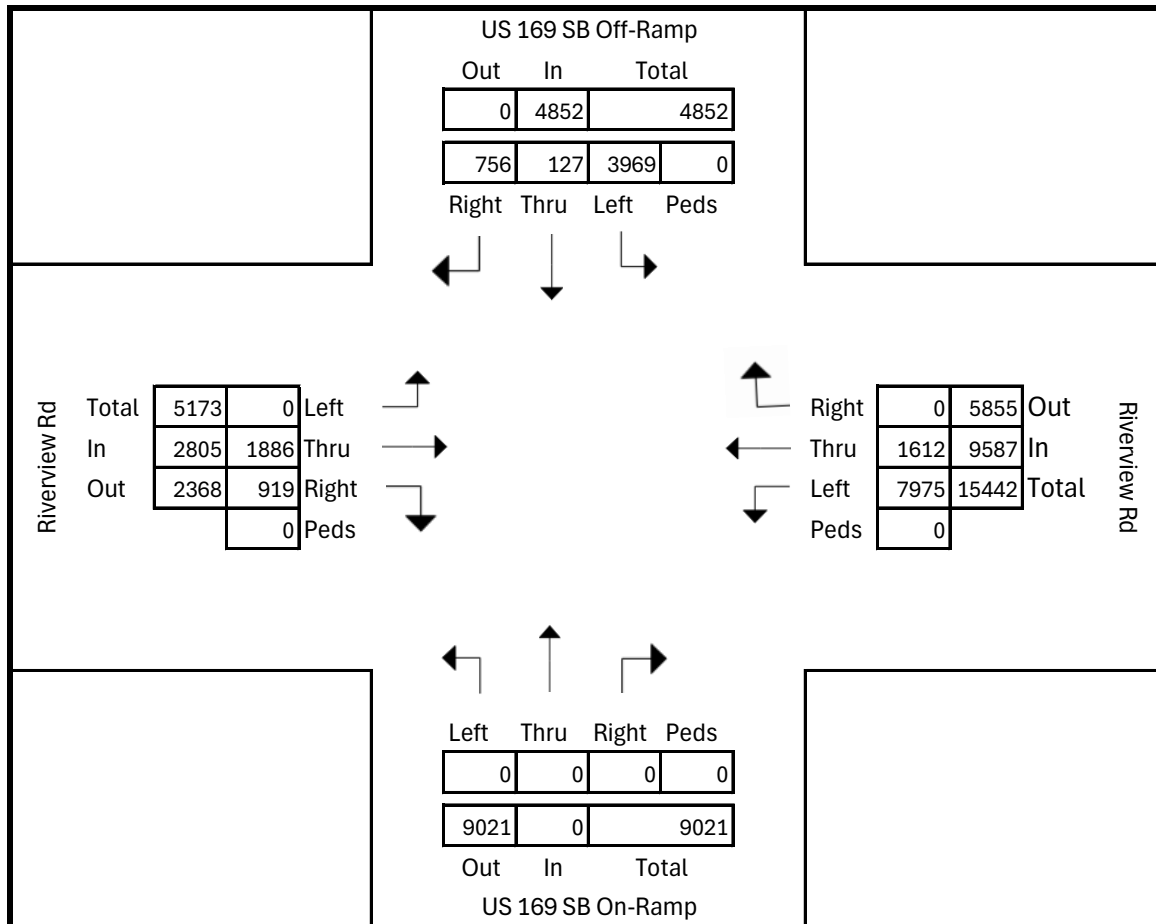
Mead & Hunt, Inc.
Bloomington, MN 55425

TRAFFIC DATA

US 169 & Riverview Rd WR
City: Eden Prairie
Data by: Flow Labs
Turning Movement Count

File Name: US 169 & Riverview Rd WR 2024
Dates: 9/3/2024 - 9/19/24, No Holidays, Average
Day of Week: Tuesday, Wednesday, Thursday
Page No.: 9

24 HOUR	US 169 SB Off-Ramp Southbound				Riverview Rd Westbound				US 169 SB On-Ramp Northbound				Riverview Rd Eastbound				Int. Total
	Left	Thru	Right	Peds	Left	Thru	Right	Peds	Left	Thru	Right	Peds	Left	Thru	Right	Peds	
Total Volume	3969	127	756	0	7975	1612	0	0	0	0	0	0	0	1886	919	0	17244
% App. Total	81.8	2.62	15.6	0	83.2	16.8	0	0	-	-	-	-	0	67.2	32.8	0	



Mead & Hunt, Inc.
Bloomington, MN 55425

TRAFFIC DATA

US 169 & Riverview Rd WR
City: Eden Prairie
Data by: Flow Labs
Turning Movement Count

File Name: US 169 & Riverview Rd WR 2024
Dates: 9/3/2024 - 9/19/24, No Holidays, Average
Day of Week: Tuesday, Wednesday, Thursday
Page No.: 10

Intersection Volume By Time Of Day

