

TRAFFIC DATA

I-35W & 94th St ER
 City: Eden Prairie
 Data by: Flow Labs
 Turning Movement Count

File Name: I-35W & 94th St ER 2024
 Dates: 9/3/2024 - 9/19/24, No Holidays, Average
 Day of Week: Tuesday, Wednesday, Thursday
 Page No.: 1

Start Time	I-35W NB On-Ramp Southbound				94th St Westbound				E Bloomington Fwy Northbound				94th St Eastbound				Int. Total
	Left	Thru	Right	Peds	Left	Thru	Right	Peds	Left	Thru	Right	Peds	Left	Thru	Right	Peds	
0:00	0	0	0	0	0	3	9	0	1	0	2	0	6	5	0	0	26
0:15	0	0	0	0	0	6	8	0	1	0	1	0	2	8	0	0	26
0:30	0	0	0	0	0	7	5	0	0	0	1	0	2	4	0	0	19
0:45	0	0	0	0	0	6	7	0	1	0	3	0	1	3	0	0	21
Total	0	0	0	0	0	22	29	0	3	0	7	0	11	20	0	0	92
1:00	0	0	0	0	0	8	6	0	0	0	2	0	2	9	0	0	27
1:15	0	0	0	0	0	4	8	0	0	1	4	0	1	5	0	0	23
1:30	0	0	0	0	0	4	6	0	0	0	0	0	1	1	0	0	12
1:45	0	0	0	0	0	4	6	0	0	0	3	0	1	2	0	0	16
Total	0	0	0	0	0	20	26	0	0	1	9	0	5	17	0	0	78
2:00	0	0	0	0	0	1	7	0	1	0	2	0	8	5	0	0	24
2:15	0	0	0	0	0	3	3	0	0	0	2	0	1	4	0	0	13
2:30	0	0	0	0	0	0	1	0	1	0	1	0	2	2	0	0	7
2:45	0	0	0	0	0	1	2	0	0	0	0	0	2	3	0	0	8
Total	0	0	0	0	0	5	13	0	2	0	5	0	13	14	0	0	52
3:00	0	0	0	0	0	2	7	0	1	0	3	0	3	4	0	0	20
3:15	0	0	0	0	0	3	2	0	0	0	0	0	2	3	0	0	10
3:30	0	0	0	0	0	3	6	0	1	0	2	0	0	2	0	0	14
3:45	0	0	0	0	0	4	2	0	0	0	1	0	1	2	0	0	10
Total	0	0	0	0	0	12	17	0	2	0	6	0	6	11	0	0	54
4:00	0	0	0	0	0	4	3	0	0	0	5	0	1	2	0	0	15
4:15	0	0	0	0	0	3	5	0	1	1	4	0	3	5	0	0	22
4:30	0	0	0	0	0	2	10	0	4	1	5	0	3	13	0	0	38
4:45	0	0	0	0	0	1	6	0	1	0	16	0	4	7	0	0	35
Total	0	0	0	0	0	10	24	0	6	2	30	0	11	27	0	0	110

TRAFFIC DATA

I-35W & 94th St ER
 City: Eden Prairie
 Data by: Flow Labs
 Turning Movement Count

File Name: I-35W & 94th St ER 2024
 Dates: 9/3/2024 - 9/19/24, No Holidays, Average
 Day of Week: Tuesday, Wednesday, Thursday
 Page No.: 2

Start Time	I-35W NB On-Ramp Southbound				94th St Westbound				E Bloomington Fwy Northbound				94th St Eastbound				Int. Total
	Left	Thru	Right	Peds	Left	Thru	Right	Peds	Left	Thru	Right	Peds	Left	Thru	Right	Peds	
5:00	0	0	0	0	0	4	5	0	2	0	4	0	7	3	0	0	25
5:15	0	0	0	0	0	4	4	0	3	0	11	0	8	3	0	0	33
5:30	0	0	0	0	0	4	4	0	7	1	8	0	6	4	0	0	34
5:45	0	0	0	0	0	10	8	0	22	0	6	0	8	7	0	0	61
Total	0	0	0	0	0	22	21	0	34	1	29	0	29	17	0	0	153
6:00	0	0	0	0	0	16	12	0	17	1	11	0	7	8	0	0	72
6:15	0	0	0	0	0	10	17	0	21	2	13	0	20	14	0	0	97
6:30	0	0	0	0	0	18	20	0	17	3	12	0	20	29	0	0	119
6:45	0	0	0	0	0	40	22	0	37	4	20	0	20	33	0	0	176
Total	0	0	0	0	0	84	71	0	92	10	56	0	67	84	0	0	464
7:00	0	0	0	0	0	12	23	0	32	6	34	0	38	33	0	0	178
7:15	0	0	0	1	0	25	21	0	39	9	27	0	47	38	0	0	207
7:30	0	0	0	0	0	57	36	0	55	8	38	0	47	68	0	0	309
7:45	0	0	0	0	0	44	28	0	52	9	33	0	46	51	0	0	263
Total	0	0	0	1	0	138	108	0	178	32	132	0	178	190	0	0	957
8:00	0	0	0	0	0	55	25	0	54	8	43	0	40	56	0	0	281
8:15	0	0	0	0	0	42	21	0	42	7	33	0	46	40	0	0	231
8:30	0	0	0	0	0	27	18	0	37	7	27	0	43	43	0	0	202
8:45	0	0	0	0	0	34	32	0	43	8	33	0	34	76	0	0	260
Total	0	0	0	0	0	158	96	0	176	30	136	0	163	215	0	0	974
9:00	0	0	0	0	0	35	30	0	19	3	25	0	40	69	0	0	221
9:15	0	0	0	0	0	25	23	0	21	3	20	0	39	53	0	0	184
9:30	0	0	0	0	0	24	28	0	14	3	23	0	43	62	0	0	197
9:45	0	0	0	0	0	31	29	0	12	3	17	0	43	48	0	0	183
Total	0	0	0	0	0	115	110	0	66	12	85	0	165	232	0	0	785

TRAFFIC DATA

I-35W & 94th St ER
 City: Eden Prairie
 Data by: Flow Labs
 Turning Movement Count

File Name: I-35W & 94th St ER 2024
 Dates: 9/3/2024 - 9/19/24, No Holidays, Average
 Day of Week: Tuesday, Wednesday, Thursday
 Page No.: 3

Start Time	I-35W NB On-Ramp Southbound				94th St Westbound				E Bloomington Fwy Northbound				94th St Eastbound				Int. Total
	Left	Thru	Right	Peds	Left	Thru	Right	Peds	Left	Thru	Right	Peds	Left	Thru	Right	Peds	
10:00	0	0	0	0	0	37	22	0	19	3	17	0	43	57	0	0	198
10:15	0	0	0	0	0	19	40	0	7	3	23	0	46	42	0	0	180
10:30	0	0	0	0	0	30	21	0	14	2	16	0	33	44	0	0	160
10:45	0	0	0	0	0	22	36	0	9	1	24	0	45	52	0	0	189
Total	0	0	0	0	0	108	119	0	49	9	80	0	167	195	0	0	727
11:00	0	0	0	0	0	27	35	0	8	3	29	0	54	57	0	0	213
11:15	0	0	0	0	0	28	34	0	12	1	19	1	49	65	0	0	209
11:30	0	0	0	0	0	44	36	0	9	2	18	0	57	85	0	0	251
11:45	0	0	0	0	0	43	36	0	9	2	23	0	68	74	0	0	255
Total	0	0	0	0	0	142	141	0	38	8	89	1	228	281	0	0	928
12:00	0	0	0	0	0	60	41	0	11	4	25	0	55	81	0	0	277
12:15	0	0	0	0	0	35	36	0	12	4	18	0	43	67	0	0	215
12:30	0	0	0	0	0	52	34	0	9	4	20	0	48	60	0	0	227
12:45	0	0	0	0	0	41	31	0	17	3	25	0	39	73	0	0	229
Total	0	0	0	0	0	188	142	0	49	15	88	0	185	281	0	0	948
13:00	0	0	0	0	0	42	35	0	19	2	21	0	54	57	0	0	230
13:15	0	0	0	1	0	39	33	0	11	2	19	0	38	44	0	0	187
13:30	0	0	0	0	0	29	32	1	7	3	14	0	40	64	0	0	190
13:45	0	0	0	0	0	24	32	0	9	3	14	0	41	62	0	0	185
Total	0	0	0	1	0	134	132	1	46	10	68	0	173	227	0	0	792
14:00	0	0	0	0	0	32	37	0	9	2	13	0	61	57	0	0	211
14:15	0	0	0	1	0	35	33	0	9	2	18	0	48	52	0	0	198
14:30	0	0	0	0	0	36	24	0	9	4	25	0	69	59	0	0	226
14:45	0	0	0	1	0	48	27	0	11	3	24	0	56	78	0	0	248
Total	0	0	0	2	0	151	121	0	38	11	80	0	234	246	0	0	883

TRAFFIC DATA

I-35W & 94th St ER
 City: Eden Prairie
 Data by: Flow Labs
 Turning Movement Count

File Name: I-35W & 94th St ER 2024
 Dates: 9/3/2024 - 9/19/24, No Holidays, Average
 Day of Week: Tuesday, Wednesday, Thursday
 Page No.: 4

Start Time	I-35W NB On-Ramp Southbound				94th St Westbound				E Bloomington Fwy Northbound				94th St Eastbound				Int. Total
	Left	Thru	Right	Peds	Left	Thru	Right	Peds	Left	Thru	Right	Peds	Left	Thru	Right	Peds	
15:00	0	0	0	0	0	41	48	0	9	2	16	0	59	36	0	0	211
15:15	0	0	0	0	0	37	29	0	9	1	21	0	67	55	0	0	219
15:30	0	0	0	0	0	48	44	0	14	3	27	0	103	62	0	0	301
15:45	0	0	0	0	0	36	32	0	14	2	16	0	70	65	0	0	235
Total	0	0	0	0	0	162	153	0	46	8	80	0	299	218	0	0	966
16:00	0	0	0	1	0	56	44	0	13	2	23	0	100	62	0	0	301
16:15	0	0	0	0	0	52	35	0	14	1	15	0	76	55	0	0	248
16:30	0	0	0	1	0	46	39	0	16	2	17	0	92	81	0	0	294
16:45	0	0	0	1	0	40	28	0	9	1	23	0	74	59	0	0	235
Total	0	0	0	3	0	194	146	0	52	6	78	0	342	257	0	0	1078
17:00	0	0	0	0	0	48	42	0	12	1	21	0	80	71	0	0	275
17:15	0	0	0	0	0	38	32	0	12	6	31	0	67	51	0	0	237
17:30	0	0	0	0	0	27	27	0	7	2	18	0	53	54	0	0	188
17:45	0	0	0	0	0	29	28	0	6	1	24	0	41	53	0	0	182
Total	0	0	0	0	0	142	129	0	37	10	94	0	241	229	0	0	882
18:00	0	0	0	0	0	28	37	0	6	2	19	0	52	43	0	0	187
18:15	0	0	0	1	0	28	32	0	6	1	18	0	43	46	0	0	175
18:30	0	0	0	0	0	14	20	0	5	1	14	0	33	34	0	0	121
18:45	0	0	0	0	0	24	19	1	7	3	16	0	37	41	0	0	148
Total	0	0	0	1	0	94	108	1	24	7	67	0	165	164	0	0	631
19:00	0	0	0	0	0	22	16	0	2	1	18	0	48	30	0	0	137
19:15	0	0	0	0	0	18	18	0	1	2	8	0	26	28	0	0	101
19:30	0	0	0	0	0	16	13	0	3	1	11	0	22	28	0	0	94
19:45	0	0	0	0	0	12	16	0	3	2	12	0	19	26	0	0	90
Total	0	0	0	0	0	68	63	0	9	6	49	0	115	112	0	0	422

TRAFFIC DATA

I-35W & 94th St ER
 City: Eden Prairie
 Data by: Flow Labs
 Turning Movement Count

File Name: I-35W & 94th St ER 2024
 Dates: 9/3/2024 - 9/19/24, No Holidays, Average
 Day of Week: Tuesday, Wednesday, Thursday
 Page No.: 5

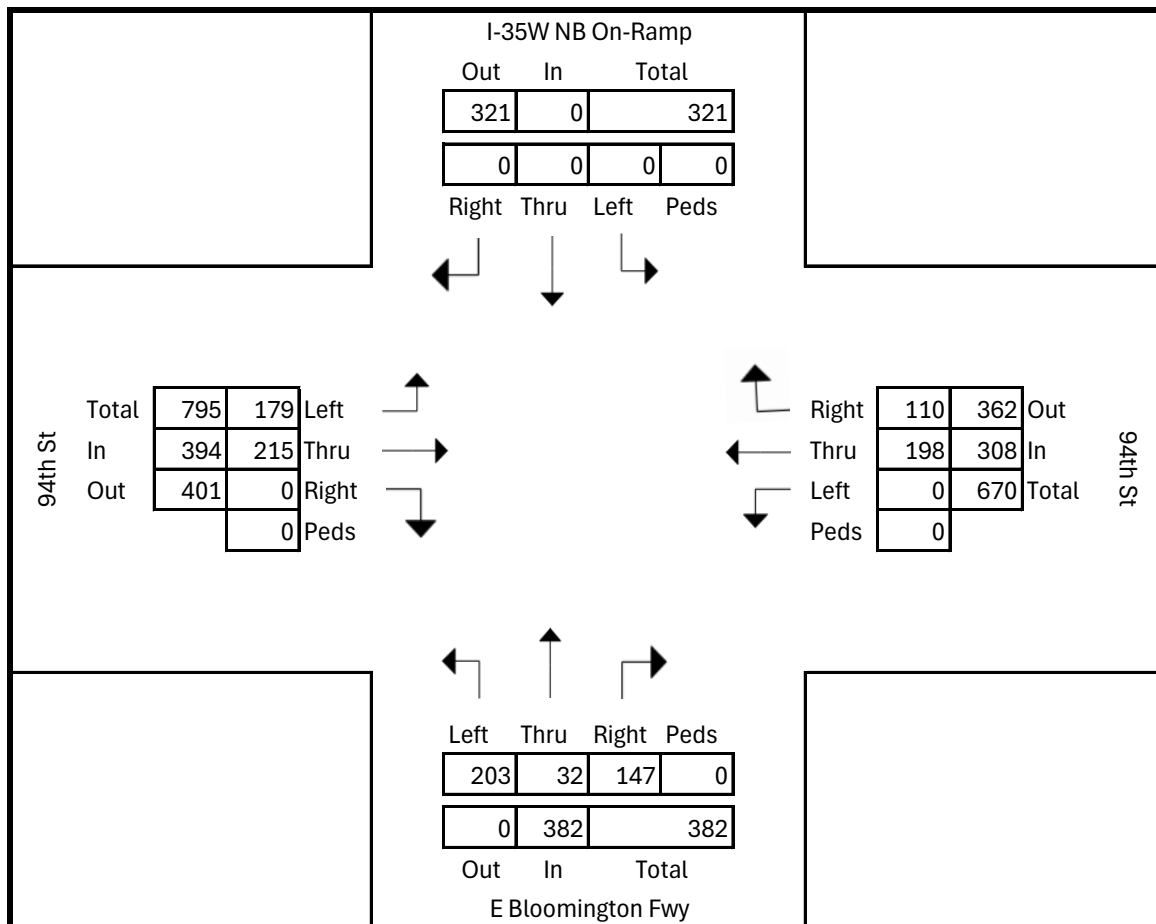
Start Time	I-35W NB On-Ramp Southbound				94th St Westbound				E Bloomington Fwy Northbound				94th St Eastbound				Int. Total
	Left	Thru	Right	Peds	Left	Thru	Right	Peds	Left	Thru	Right	Peds	Left	Thru	Right	Peds	
20:00	0	0	0	0	0	15	10	0	3	2	9	0	21	30	0	0	90
20:15	0	0	0	0	0	13	12	0	4	1	7	0	23	34	0	0	94
20:30	0	0	0	0	0	16	12	0	1	1	8	0	18	24	0	0	80
20:45	0	0	0	0	0	13	9	0	3	1	11	0	23	17	0	0	77
Total	0	0	0	0	0	57	43	0	11	5	35	0	85	105	0	0	341
21:00	0	0	0	0	0	7	9	0	1	1	4	0	23	30	0	0	75
21:15	0	0	0	0	0	13	11	0	2	2	6	0	9	22	0	0	65
21:30	0	0	0	0	0	11	8	0	1	1	5	0	12	17	0	0	55
21:45	0	0	0	0	0	6	11	0	4	2	12	0	14	20	0	0	69
Total	0	0	0	0	0	37	39	0	8	6	27	0	58	89	0	0	264
22:00	0	0	0	0	0	6	9	0	1	1	3	0	12	19	0	0	51
22:15	0	0	0	0	0	6	12	0	2	1	4	0	5	12	0	0	42
22:30	0	0	0	0	0	6	6	0	1	0	3	0	6	11	0	0	33
22:45	0	0	0	0	0	7	6	0	0	1	5	0	3	16	0	0	38
Total	0	0	0	0	0	25	33	0	4	3	15	0	26	58	0	0	164
23:00	0	0	0	0	0	4	11	0	1	0	3	0	6	9	0	0	34
23:15	0	0	0	0	0	8	8	0	1	1	2	0	3	7	0	0	30
23:30	0	0	0	1	0	8	2	0	0	1	4	0	8	7	0	0	31
23:45	0	0	0	0	0	2	7	0	0	0	3	0	7	8	0	0	27
Total	0	0	0	1	0	22	28	0	2	2	12	0	24	31	0	0	122
Grand Total	0	0	0	9	0	2110	1912	2	972	194	1357	1	2990	3320	0	0	12867
Apprch %	-	-	-	-	0	52.4	47.5	0.05	38.5	7.69	53.8	0.04	47.4	52.6	0	0	
Total %	0	0	0	0	0	0.16	0.15	0	0.08	0.02	0.11	0	0.23	0.26	0	0	

TRAFFIC DATA

I-35W & 94th St ER
City: Eden Prairie
Data by: Flow Labs
Turning Movement Count

File Name: I-35W & 94th St ER 2024
Dates: 9/3/2024 - 9/19/24, No Holidays, Average
Day of Week: Tuesday, Wednesday, Thursday
Page No.: 6

AM PEAK	I-35W NB On-Ramp Southbound				94th St Westbound				E Bloomington Fwy Northbound				94th St Eastbound				Int. Total
	Left	Thru	Right	Peds	Left	Thru	Right	Peds	Left	Thru	Right	Peds	Left	Thru	Right	Peds	
7:30	0	0	0	0	0	57	36	0	55	8	38	0	47	68	0	0	309
7:45	0	0	0	0	0	44	28	0	52	9	33	0	46	51	0	0	263
8:00	0	0	0	0	0	55	25	0	54	8	43	0	40	56	0	0	281
8:15	0	0	0	0	0	42	21	0	42	7	33	0	46	40	0	0	231
Total Volume	0	0	0	0	0	198	110	0	203	32	147	0	179	215	0	0	1084
% App. Total	-	-	-	-	0	64.3	35.7	0	53.1	8.38	38.5	0	45.4	54.6	0	0	
PHF	-	-	-	-	-	0.87	0.76	0	0.92	0.89	0.85	0	0.95	0.79	-	0	0.88
App. PHF		-				0.83				0.91				0.86			



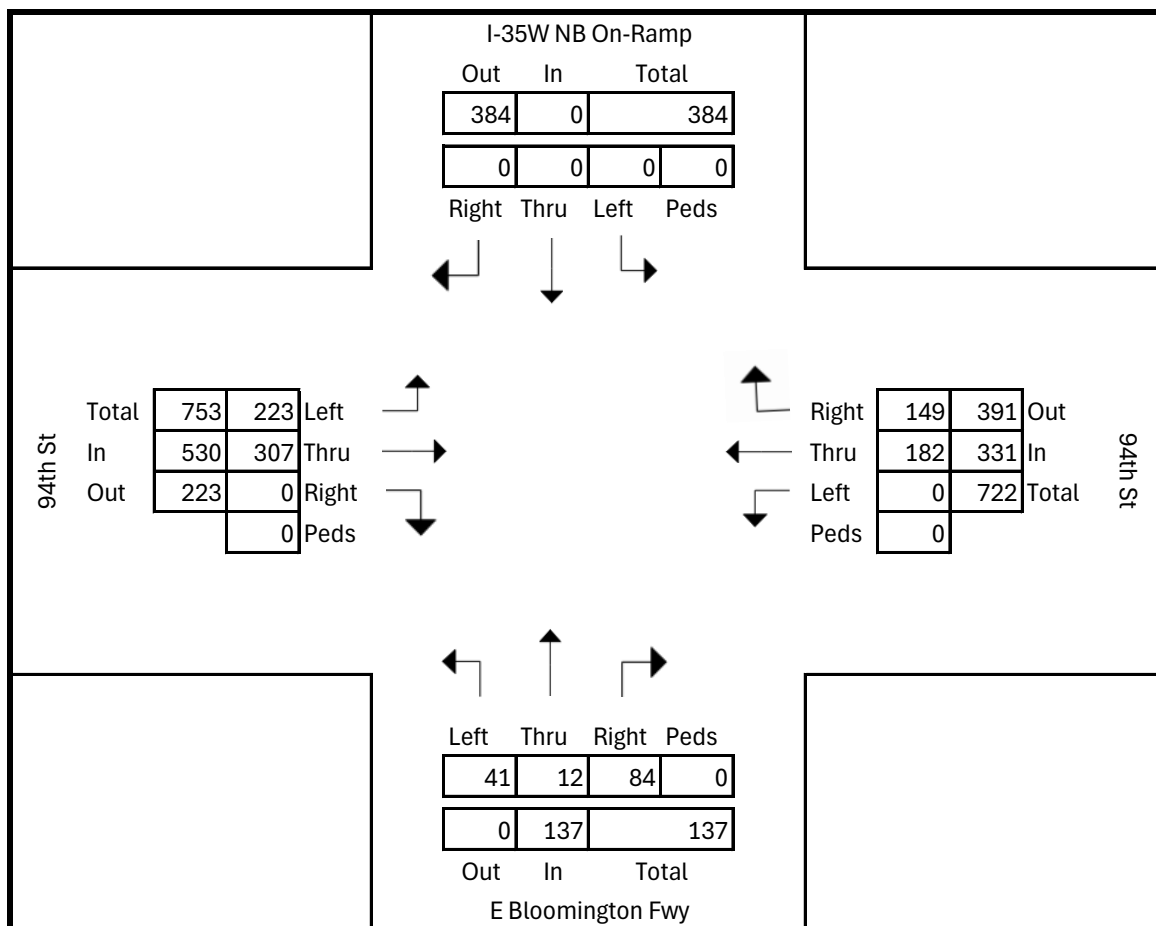
Mead & Hunt, Inc.
Bloomington, MN 55425

TRAFFIC DATA

I-35W & 94th St ER
City: Eden Prairie
Data by: Flow Labs
Turning Movement Count

File Name: I-35W & 94th St ER 2024
Dates: 9/3/2024 - 9/19/24, No Holidays, Average
Day of Week: Tuesday, Wednesday, Thursday
Page No.: 7

MID PEAK	I-35W NB On-Ramp Southbound				94th St Westbound				E Bloomington Fwy Northbound				94th St Eastbound				Int. Total
	Left	Thru	Right	Peds	Left	Thru	Right	Peds	Left	Thru	Right	Peds	Left	Thru	Right	Peds	
11:30	0	0	0	0	0	44	36	0	9	2	18	0	57	85	0	0	251
11:45	0	0	0	0	0	43	36	0	9	2	23	0	68	74	0	0	255
12:00	0	0	0	0	0	60	41	0	11	4	25	0	55	81	0	0	277
12:15	0	0	0	0	0	35	36	0	12	4	18	0	43	67	0	0	215
Total Volume	0	0	0	0	0	182	149	0	41	12	84	0	223	307	0	0	998
% App. Total	-	-	-	-	0	55	45	0	29.9	8.76	61.3	0	42.1	57.9	0	0	
PHF	-	-	-	-	-	0.76	0.91	0	0.85	0.75	0.84	0	0.82	0.9	-	0	0.90
App. PHF		-				0.82				0.86				0.93			



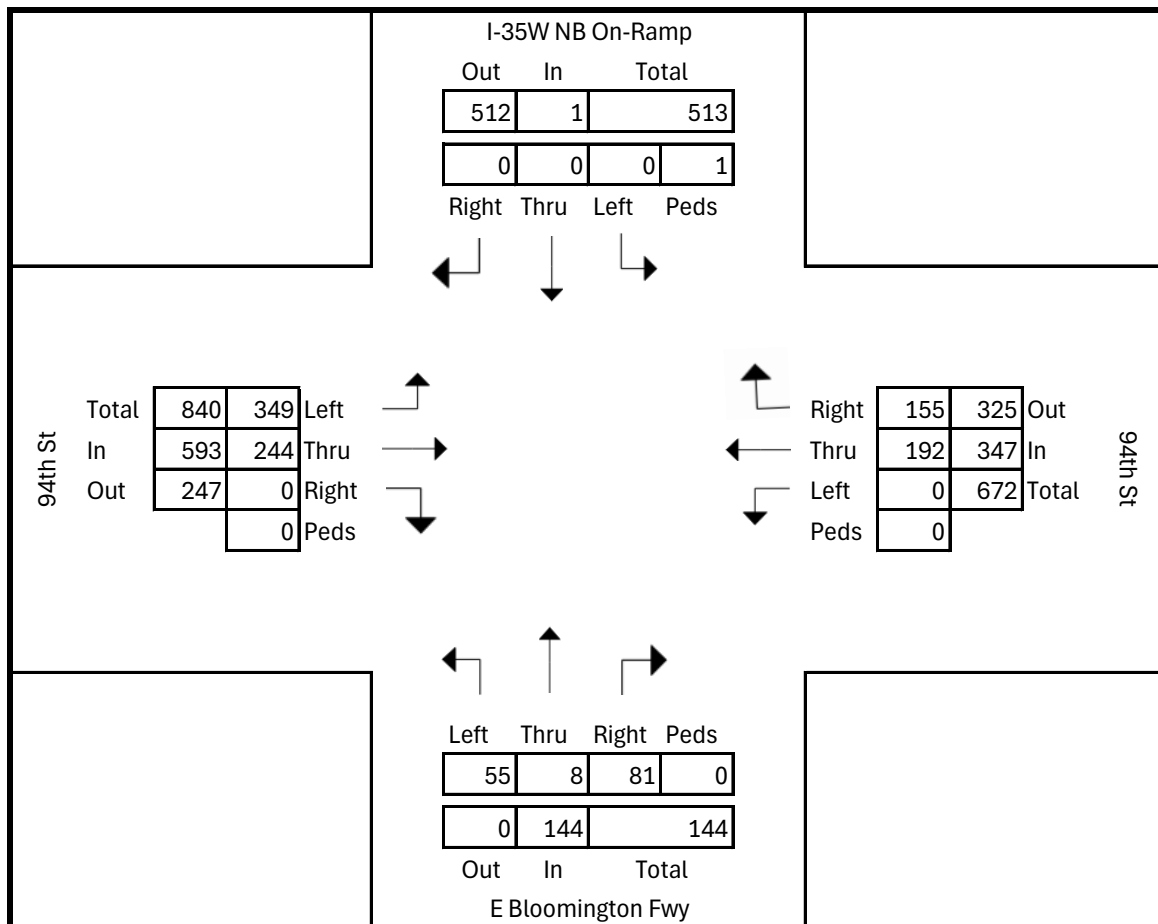
Mead & Hunt, Inc.
Bloomington, MN 55425

TRAFFIC DATA

I-35W & 94th St ER
City: Eden Prairie
Data by: Flow Labs
Turning Movement Count

File Name: I-35W & 94th St ER 2024
Dates: 9/3/2024 - 9/19/24, No Holidays, Average
Day of Week: Tuesday, Wednesday, Thursday
Page No.: 8

PM PEAK	I-35W NB On-Ramp Southbound				94th St Westbound				E Bloomington Fwy Northbound				94th St Eastbound				Int. Total
	Left	Thru	Right	Peds	Left	Thru	Right	Peds	Left	Thru	Right	Peds	Left	Thru	Right	Peds	
15:30	0	0	0	0	0	48	44	0	14	3	27	0	103	62	0	0	301
15:45	0	0	0	0	0	36	32	0	14	2	16	0	70	65	0	0	235
16:00	0	0	0	1	0	56	44	0	13	2	23	0	100	62	0	0	301
16:15	0	0	0	0	0	52	35	0	14	1	15	0	76	55	0	0	248
Total Volume	0	0	0	1	0	192	155	0	55	8	81	0	349	244	0	0	1085
% App. Total	-	-	-	-	0	55.3	44.7	0	38.2	5.56	56.3	0	58.9	41.1	0	0	
PHF	-	-	-	-	-	0.86	0.88	0	0.98	0.67	0.75	0	0.85	0.94	-	0	0.90
App. PHF	-				0.87				0.82				0.90				



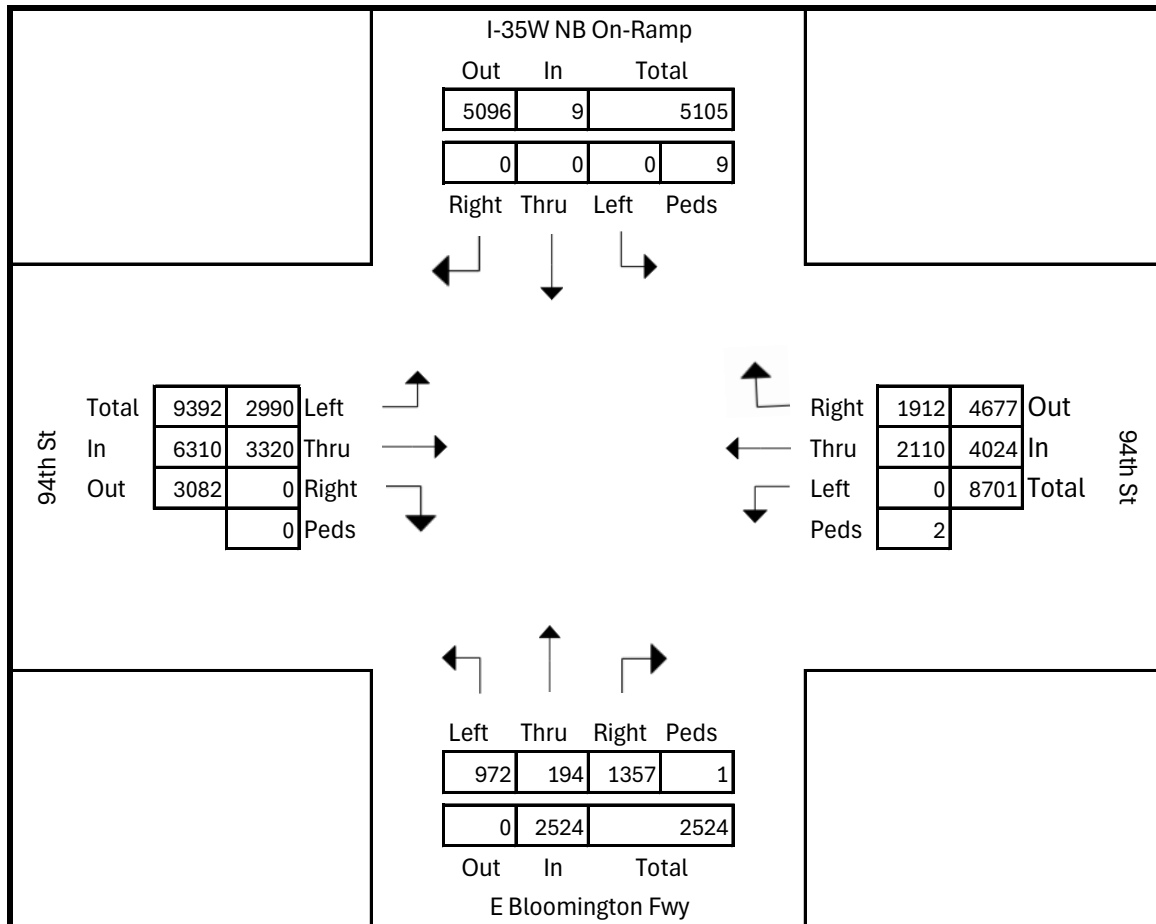
Mead & Hunt, Inc.
Bloomington, MN 55425

TRAFFIC DATA

I-35W & 94th St ER
City: Eden Prairie
Data by: Flow Labs
Turning Movement Count

File Name: I-35W & 94th St ER 2024
Dates: 9/3/2024 - 9/19/24, No Holidays, Average
Day of Week: Tuesday, Wednesday, Thursday
Page No.: 9

24 HOUR	I-35W NB On-Ramp Southbound				94th St Westbound				E Bloomington Fwy Northbound				94th St Eastbound				Int. Total
	Left	Thru	Right	Peds	Left	Thru	Right	Peds	Left	Thru	Right	Peds	Left	Thru	Right	Peds	
Total Volume	0	0	0	9	0	2110	1912	2	972	194	1357	1	2990	3320	0	0	12867
% App. Total	-	-	-	-	0	52.4	47.5	0.05	38.5	7.69	53.8	0.04	47.4	52.6	0	0	



Mead & Hunt, Inc.
Bloomington, MN 55425

TRAFFIC DATA

I-35W & 94th St ER
City: Eden Prairie
Data by: Flow Labs
Turning Movement Count

File Name: I-35W & 94th St ER 2024
Dates: 9/3/2024 - 9/19/24, No Holidays, Average
Day of Week: Tuesday, Wednesday, Thursday
Page No.: 10

Intersection Volume By Time Of Day

