

Albeck Gerken, Inc

Transportation Engineers

Traffic Data Collection

Ridgedale Dr at Cartway Lane

Ref.Pt.: Minnetonka

Data by: Consultant - Mark & Melissa

TURN MOVEMENT COUNT

File Name : Ridgedale Dr at Castway Ln 2007

Site Code : 03080512

Start Date : 3/8/2007

Page No : 1

Groups Printed- Unshifted

Start Time	Ridgedale Dr. Southbound				Cartway Lane Westbound				Ridgedale Dr. Northbound				Parking Lot Entrance Eastbound				Int. Total
	Left	Thru	Right	Peds	Left	Thru	Right	Peds	Left	Thru	Right	Peds	Left	Thru	Right	Peds	
06:00	7	0	0	0	1	1	3	0	0	0	0	0	0	3	2	0	17
06:15	7	4	0	0	0	2	0	0	1	2	5	0	0	7	1	0	29
06:30	20	3	0	0	1	5	0	0	2	1	3	0	0	2	0	0	37
06:45	18	3	0	0	1	7	2	0	1	4	5	0	0	5	4	0	50
Total	52	10	0	0	3	15	5	0	4	7	13	0	0	17	7	0	133
07:00	24	6	0	0	3	7	3	0	3	4	5	0	0	8	2	0	65
07:15	9	2	0	0	2	9	2	0	7	5	7	1	0	12	5	0	61
07:30	24	7	0	0	4	7	2	0	4	5	7	0	0	16	5	0	81
07:45	24	7	0	0	2	8	1	0	9	9	10	0	0	17	5	0	92
Total	81	22	0	0	11	31	8	0	23	23	29	1	0	53	17	0	299
08:00	35	5	0	0	2	5	3	0	7	5	4	0	1	14	6	0	87
08:15	30	14	0	0	9	3	4	0	7	6	9	0	0	9	5	0	96
08:30	27	11	0	0	4	15	5	0	13	6	7	0	1	17	8	0	114
08:45	44	4	0	0	11	11	6	0	7	9	9	0	1	17	10	0	129
Total	136	34	0	0	26	34	18	0	34	26	29	0	3	57	29	0	426
** Break **																	
11:00	84	19	1	0	31	22	17	0	18	27	26	0	2	18	11	0	276
11:15	87	22	0	0	26	25	15	0	21	19	33	0	1	37	14	0	300
11:30	110	24	0	0	36	25	9	0	26	23	24	0	0	18	28	1	324
11:45	102	14	1	0	42	36	20	0	25	26	38	0	1	35	38	0	378
Total	383	79	2	0	135	108	61	0	90	95	121	0	4	108	91	1	1278
12:00	91	30	2	0	31	33	19	0	30	31	33	1	0	44	20	0	365
12:15	138	37	0	0	38	37	20	0	31	34	27	0	1	55	24	0	442
12:30	112	31	3	0	34	29	18	0	25	24	45	0	0	45	31	0	397
12:45	129	37	3	0	31	39	13	0	28	20	37	1	2	53	31	0	424
Total	470	135	8	0	134	138	70	0	114	109	142	2	3	197	106	0	1628
** Break **																	
16:00	76	22	1	0	26	16	21	0	15	13	24	0	3	32	19	0	268
16:15	104	27	1	0	15	34	23	0	19	22	22	0	2	43	22	0	334
16:30	72	22	4	0	16	27	20	0	20	30	26	0	3	29	33	0	302
16:45	86	29	0	0	26	23	16	0	22	23	24	0	1	37	35	0	322
Total	338	100	6	0	83	100	80	0	76	88	96	0	9	141	109	0	1226
17:00	104	32	0	0	18	17	21	0	25	24	36	0	1	34	21	0	333
17:15	101	22	0	0	23	26	15	0	28	27	21	0	3	47	31	0	344
17:30	92	27	0	0	15	24	20	0	22	33	28	0	0	41	28	0	330
17:45	73	24	4	0	17	26	18	0	23	29	26	0	2	38	22	0	302
Total	370	105	4	0	73	93	74	0	98	113	111	0	6	160	102	0	1309
Grand Total	1830	485	20	0	465	519	316	0	439	461	541	3	25	733	461	1	6299
Apprch %	78.4	20.8	0.9	0	35.8	39.9	24.3	0	30.4	31.9	37.5	0.2	2	60.1	37.8	0.1	
Total %	29.1	7.7	0.3	0	7.4	8.2	5	0	7	7.3	8.6	0	0.4	11.6	7.3	0	

Albeck Gerken, Inc

Transportation Engineers

Traffic Data Collection

Ridgedale Dr at Cartway Lane

Ref.Pt.: Minnetonka

Data by: Consultant - Mark & Melissa

TURN MOVEMENT COUNT

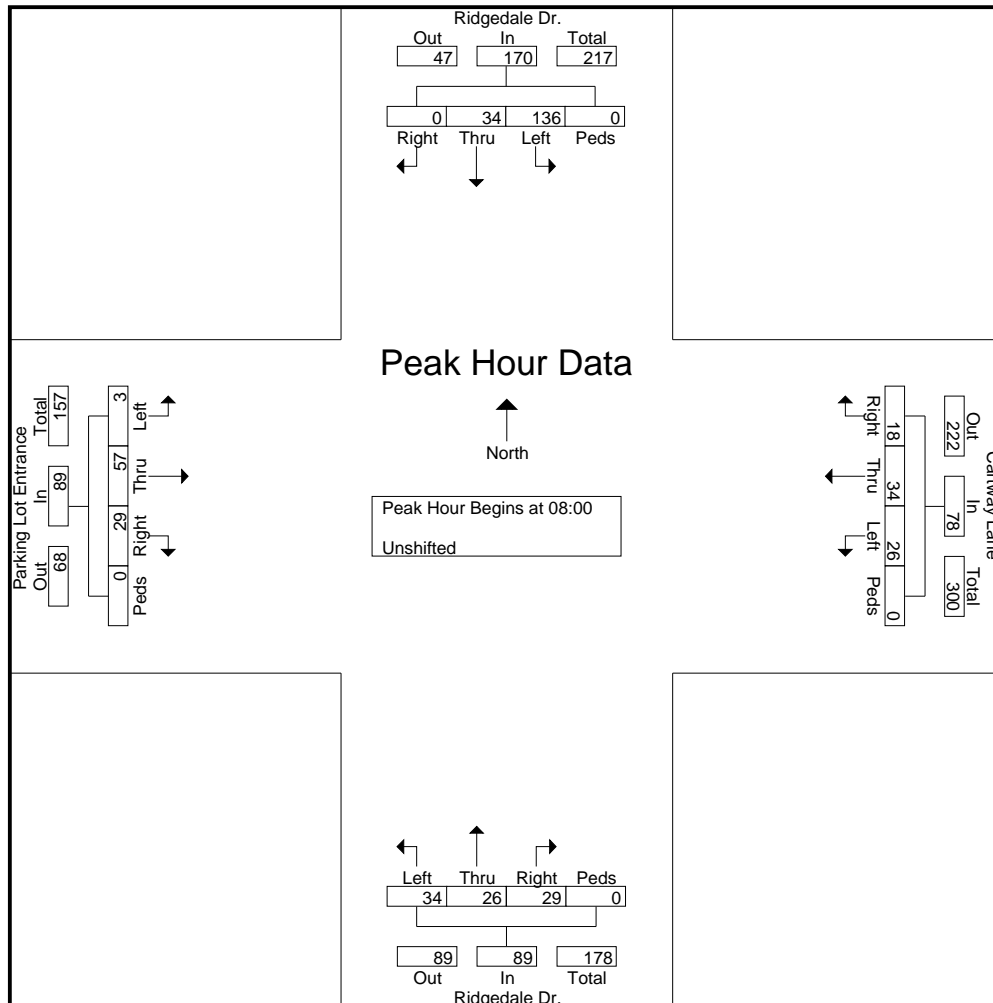
File Name : Ridgedale Dr at Castway Ln 2007

Site Code : 03080512

Start Date : 3/8/2007

Page No : 2

Start Time	Ridgedale Dr. Southbound					Cartway Lane Westbound					Ridgedale Dr. Northbound					Parking Lot Entrance Eastbound					Int. Total
	Left	Thru	Right	Peds	App. Total	Left	Thru	Right	Peds	App. Total	Left	Thru	Right	Peds	App. Total	Left	Thru	Right	Peds	App. Total	
Peak Hour Analysis From 06:00 to 08:45 - Peak 1 of 1																					
Peak Hour for Entire Intersection Begins at 08:00																					
08:00	35	5	0	0	40	2	5	3	0	10	7	5	4	0	16	1	14	6	0	21	87
08:15	30	14	0	0	44	9	3	4	0	16	7	6	9	0	22	0	9	5	0	14	96
08:30	27	11	0	0	38	4	15	5	0	24	13	6	7	0	26	1	17	8	0	26	114
08:45	44	4	0	0	48	11	11	6	0	28	7	9	9	0	25	1	17	10	0	28	129
Total Volume	136	34	0	0	170	26	34	18	0	78	34	26	29	0	89	3	57	29	0	89	426
% App. Total	80	20	0	0		33.3	43.6	23.1	0		38.2	29.2	32.6	0		3.4	64	32.6	0		
PHF	.773	.607	.000	.000	.885	.591	.567	.750	.000	.696	.654	.722	.806	.000	.856	.750	.838	.725	.000	.795	.826



Albeck Gerken, Inc

Transportation Engineers

Traffic Data Collection

Ridgedale Dr at Cartway Lane

Ref.Pt.: Minnetonka

Data by: Consultant - Mark & Melissa

TURN MOVEMENT COUNT

File Name : Ridgedale Dr at Castway Ln 2007

Site Code : 03080512

Start Date : 3/8/2007

Page No : 3

Start Time	Ridgedale Dr. Southbound					Cartway Lane Westbound					Ridgedale Dr. Northbound					Parking Lot Entrance Eastbound					Int. Total
	Left	Thru	Right	Peds	App. Total	Left	Thru	Right	Peds	App. Total	Left	Thru	Right	Peds	App. Total	Left	Thru	Right	Peds	App. Total	
Peak Hour Analysis From 15:00 to 17:45 - Peak 1 of 1																					
Peak Hour for Entire Intersection Begins at 16:45																					
16:45	86	29	0	0	115	26	23	16	0	65	22	23	24	0	69	1	37	35	0	73	322
17:00	104	32	0	0	136	18	17	21	0	56	25	24	36	0	85	1	34	21	0	56	333
17:15	101	22	0	0	123	23	26	15	0	64	28	27	21	0	76	3	47	31	0	81	344
17:30	92	27	0	0	119	15	24	20	0	59	22	33	28	0	83	0	41	28	0	69	330
Total Volume	383	110	0	0	493	82	90	72	0	244	97	107	109	0	313	5	159	115	0	279	1329
% App. Total	77.7	22.3	0	0		33.6	36.9	29.5	0		31	34.2	34.8	0		1.8	57	41.2	0		
PHF	.921	.859	.000	.000	.906	.788	.865	.857	.000	.938	.866	.811	.757	.000	.921	.417	.846	.821	.000	.861	.966

