



MINNESOTA DEPT OF TRANSPORTATION

TRAFFIC DATA COLLECTION - METRO

Park Place Blvd at Gamble Drive (S of I-394)

Ref.Pt.: 005.370

video RE

TURN MOVEMENT COUNT

File Name : Park Place Blvd at Gamble Drive 2013

Site Code :

Start Date : 8/21/2013

Page No : 1

Groups Printed- Cars +

Start Time	Park Place Blvd Southbound				Gamble Drive Westbound				Park Place Blvd Northbound				Gamble Drive Eastbound				Int. Total
	Right	Thru	Left	Peds	Right	Thru	Left	Peds	Right	Thru	Left	Peds	Right	Thru	Left	Peds	
06:00	8	9	7	0	1	1	5	0	6	25	3	0	4	1	1	0	71
06:15	9	16	12	0	4	2	11	3	13	20	1	0	1	1	0	0	93
06:30	18	28	11	0	9	3	8	0	16	22	7	0	2	1	0	1	126
06:45	29	36	27	0	8	2	9	4	14	22	12	1	1	1	1	1	168
Total	64	89	57	0	22	8	33	7	49	89	23	1	8	4	2	2	458
07:00	34	36	34	0	9	2	9	2	22	26	10	0	0	1	3	0	188
07:15	35	57	40	0	12	8	17	0	24	23	8	0	2	0	1	0	227
07:30	39	56	40	0	13	8	24	2	28	30	16	0	2	0	2	1	261
07:45	64	59	35	1	22	13	23	1	22	35	27	0	5	2	3	0	312
Total	172	208	149	1	56	31	73	5	96	114	61	0	9	3	9	1	988
08:00	90	63	33	0	18	10	27	1	34	36	25	0	9	5	5	0	356
08:15	61	38	26	0	16	9	25	3	35	33	21	0	11	2	0	0	280
08:30	48	51	45	1	27	9	28	0	24	54	25	0	7	1	7	1	328
08:45	48	45	41	0	26	6	29	4	35	67	19	1	7	2	8	1	339
Total	247	197	145	1	87	34	109	8	128	190	90	1	34	10	20	2	1303
*****BREAK*****																	
11:00	45	55	72	1	54	8	48	1	35	43	18	0	21	8	19	1	429
11:15	40	51	97	0	45	4	44	2	40	47	25	4	24	7	12	0	442
11:30	41	67	107	1	62	10	44	0	46	57	20	9	25	5	28	1	523
11:45	26	70	109	0	60	11	64	0	55	54	26	0	17	16	36	0	544
Total	152	243	385	2	221	33	200	3	176	201	89	13	87	36	95	2	1938
12:00	32	68	95	2	66	8	52	5	68	66	29	4	28	12	44	0	579
12:15	24	58	111	1	70	9	61	2	41	67	24	8	26	13	47	1	563
12:30	20	65	119	0	88	9	35	2	71	75	19	3	34	14	39	1	594
12:45	34	64	95	3	62	16	59	3	72	58	27	0	32	20	40	2	587
Total	110	255	420	6	286	42	207	12	252	266	99	15	120	59	170	4	2323
*****BREAK*****																	
15:00	15	55	69	0	49	8	37	2	46	61	11	0	23	12	32	0	420
15:15	19	56	73	0	57	13	47	7	39	76	8	0	18	11	29	0	453
15:30	27	50	80	0	63	14	46	0	32	71	11	1	14	7	35	0	451
15:45	22	58	77	0	57	13	43	4	38	100	10	0	31	6	33	0	492
Total	83	219	299	0	226	48	173	13	155	308	40	1	86	36	129	0	1816
16:00	34	69	68	0	65	13	41	13	29	105	16	0	27	7	51	2	540
16:15	37	58	79	0	46	12	33	0	34	103	9	4	27	6	41	1	490
16:30	42	72	63	0	69	11	29	2	32	120	8	1	20	10	63	1	543
16:45	59	77	63	0	68	14	22	4	48	141	23	1	27	17	52	0	616
Total	172	276	273	0	248	50	125	19	143	469	56	6	101	40	207	4	2189
17:00	47	77	79	0	57	16	37	3	25	109	25	1	37	16	49	1	579
17:15	30	63	62	0	58	15	36	1	45	134	31	0	28	9	62	0	574
17:30	39	93	71	0	43	12	34	3	49	108	20	1	24	6	53	0	556
17:45	40	69	80	0	52	7	38	3	38	93	23	0	27	9	42	5	526
Total	156	302	292	0	210	50	145	10	157	444	99	2	116	40	206	6	2235
Grand Total	1156	1789	2020	10	1356	296	1065	77	1156	2081	557	39	561	228	838	21	13250
Apprch %	23.2	36	40.6	0.2	48.5	10.6	38.1	2.8	30.2	54.3	14.5	1	34	13.8	50.8	1.3	
Total %	8.7	13.5	15.2	0.1	10.2	2.2	8	0.6	8.7	15.7	4.2	0.3	4.2	1.7	6.3	0.2	



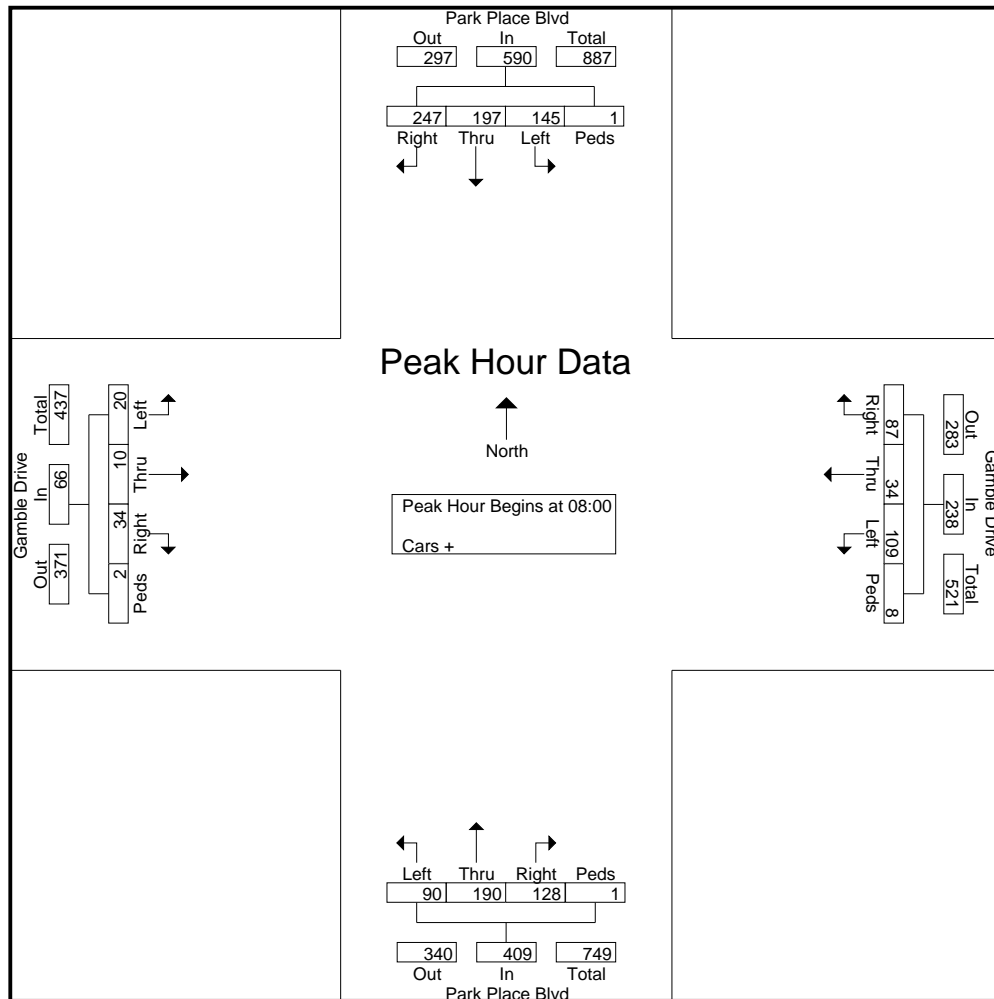
MINNESOTA DEPT OF TRANSPORTATION

TRAFFIC DATA COLLECTION - METRO

Park Place Blvd at Gamble Drive (S of I-394)
 Ref.Pt.: 005.370
 video RE
 TURN MOVEMENT COUNT

File Name : Park Place Blvd at Gamble Drive 2013
 Site Code :
 Start Date : 8/21/2013
 Page No : 2

Start Time	Park Place Blvd Southbound					Gamble Drive Westbound					Park Place Blvd Northbound					Gamble Drive Eastbound					Int. Total
	Right	Thru	Left	Peds	App. Total	Right	Thru	Left	Peds	App. Total	Right	Thru	Left	Peds	App. Total	Right	Thru	Left	Peds	App. Total	
Peak Hour Analysis From 06:00 to 08:45 - Peak 1 of 1																					
Peak Hour for Entire Intersection Begins at 08:00																					
08:00	90	63	33	0	186	18	10	27	1	56	34	36	25	0	95	9	5	5	0	19	356
08:15	61	38	26	0	125	16	9	25	3	53	35	33	21	0	89	11	2	0	0	13	280
08:30	48	51	45	1	145	27	9	28	0	64	24	54	25	0	103	7	1	7	1	16	328
08:45	48	45	41	0	134	26	6	29	4	65	35	67	19	1	122	7	2	8	1	18	339
Total Volume	247	197	145	1	590	87	34	109	8	238	128	190	90	1	409	34	10	20	2	66	1303
% App. Total	41.9	33.4	24.6	0.2		36.6	14.3	45.8	3.4		31.3	46.5	22	0.2		51.5	15.2	30.3	3		
PHF	.686	.782	.806	.250	.793	.806	.850	.940	.500	.915	.914	.709	.900	.250	.838	.773	.500	.625	.500	.868	.915





MINNESOTA DEPT OF TRANSPORTATION

TRAFFIC DATA COLLECTION - METRO

Park Place Blvd at Gamble Drive (S of I-394)
 Ref.Pt.: 005.370
 video RE
 TURN MOVEMENT COUNT

File Name : Park Place Blvd at Gamble Drive 2013
 Site Code :
 Start Date : 8/21/2013
 Page No : 3

Start Time	Park Place Blvd Southbound					Gamble Drive Westbound					Park Place Blvd Northbound					Gamble Drive Eastbound					Int. Total
	Rig ht	Thr u	Left	Ped s	App. Total	Rig ht	Thr u	Left	Ped s	App. Total	Right	Thr u	Left	Peds	App. Total	Right	Thr u	Left	Peds	App. Total	
Peak Hour Analysis From 15:00 to 17:45 - Peak 1 of 1																					
Peak Hour for Entire Intersection Begins at 16:45																					
16:45	59	77	63	0	199	68	14	22	4	108	48	141	23	1	213	27	17	52	0	96	616
17:00	47	77	79	0	203	57	16	37	3	113	25	109	25	1	160	37	16	49	1	103	579
17:15	30	63	62	0	155	58	15	36	1	110	45	134	31	0	210	28	9	62	0	99	574
17:30	39	93	71	0	203	43	12	34	3	92	49	108	20	1	178	24	6	53	0	83	556
Total Volume	175	310	275	0	760	226	57	129	11	423	167	492	99	3	761	116	48	216	1	381	2325
% App. Total	23	40.8	36.2	0		53.4	13.5	30.5	2.6		21.9	64.7	13	0.4		30.4	12.6	56.7	0.3		
PHF	.742	.833	.870	.000	.936	.831	.891	.872	.688	.936	.852	.872	.798	.750	.893	.784	.706	.871	.250	.925	.944

