

Alliant Engineering

Minneapolis, MN 55415

--TRAFFIC DATA --

TH-10 at Foley Blvd , SOUTH RAMPS

Ref.Pt.: 231.948

Alliant Eng.

TURN MOVEMENT COUNT

File Name : 322_Foley Blvd & TH 10 S Ramp

Site Code : 322

Start Date : 3/1/2016

Page No : 1

Groups Printed- Vehicles - Trucks

Start Time	Foley Blvd / CSAH-11 Southbound				TH-10, South Ramps Westbound				Foley Blvd / CSAH-11 Northbound				TH-10, South Ramps Eastbound				Int. Total
	Left	Thru	Rght	Other	Left	Thru	Rght	Other	Left	Thru	Rght	Other	Left	Thru	Rght	Other	
06:00	6	84	81	1	0	0	0	2	8	19	39	0	10	3	44	0	297
06:15	45	107	114	0	0	0	0	0	5	36	41	0	7	19	57	0	431
06:30	70	114	130	0	0	0	0	0	7	34	55	0	15	1	52	0	478
06:45	62	137	105	0	0	0	0	0	5	51	57	0	25	1	79	0	522
Total	183	442	430	1	0	0	0	2	25	140	192	0	57	24	232	0	1728
07:00	56	137	141	0	0	0	0	0	8	64	45	0	14	1	86	0	552
07:15	77	156	140	0	0	0	0	0	16	69	48	0	32	0	91	0	629
07:30	51	170	152	0	0	0	0	0	11	70	51	0	24	1	73	0	603
07:45	46	170	111	0	0	0	0	0	27	80	47	0	35	0	90	0	606
Total	230	633	544	0	0	0	0	0	62	283	191	0	105	2	340	0	2390
08:00	48	109	116	0	0	0	0	0	13	71	45	0	27	0	65	0	494
08:15	52	107	84	0	0	0	0	0	12	54	48	0	22	0	60	0	439
08:30	48	108	65	0	0	0	0	0	2	63	45	0	28	1	50	0	410
08:45	47	126	81	0	0	0	0	0	6	49	35	0	27	1	57	0	429
Total	195	450	346	0	0	0	0	0	33	237	173	0	104	2	232	0	1772
09:00	32	93	86	0	0	0	0	0	10	64	35	0	20	1	29	0	370
09:15	29	92	88	0	0	0	0	0	4	61	39	0	25	3	36	0	377
*** BREAK ***																	
Total	61	185	174	0	0	0	0	0	14	125	74	0	45	4	65	0	747
*** BREAK ***																	
10:30	21	84	53	0	0	0	0	0	1	59	31	0	29	0	32	0	310
10:45	25	79	53	0	0	0	0	0	4	66	27	0	24	1	45	0	324
Total	46	163	106	0	0	0	0	0	5	125	58	0	53	1	77	0	634
11:00	20	66	42	0	0	0	0	0	8	78	39	0	33	1	45	0	332
11:15	21	96	25	0	0	0	0	0	6	80	31	0	28	1	50	0	338
11:30	10	80	54	0	0	0	0	0	15	98	27	0	37	0	44	0	365
11:45	17	89	41	0	0	0	0	0	7	93	30	0	26	3	50	0	356
Total	68	331	162	0	0	0	0	0	36	349	127	0	124	5	189	0	1391
12:00	24	94	41	0	0	0	0	0	7	102	35	0	36	0	38	0	377
12:15	22	103	41	0	0	0	0	0	11	92	32	0	27	0	40	0	368
12:30	33	101	59	0	0	0	0	0	5	98	23	0	29	1	32	0	381
12:45	23	94	40	0	0	0	0	0	6	95	19	0	26	0	42	0	345
Total	102	392	181	0	0	0	0	0	29	387	109	0	118	1	152	0	1471
13:00	19	100	44	0	0	0	0	0	9	76	33	0	38	0	40	0	359
13:15	26	94	46	0	0	0	0	0	5	103	31	0	43	0	52	0	400
*** BREAK ***																	
Total	45	194	90	0	0	0	0	0	14	179	64	0	81	0	92	0	759
*** BREAK ***																	
14:30	39	97	48	0	0	0	0	0	8	163	45	0	26	0	56	0	482
14:45	26	102	37	0	0	0	0	0	5	156	31	0	39	1	47	0	444
Total	65	199	85	0	0	0	0	0	13	319	76	0	65	1	103	0	926
15:00	23	113	45	0	0	0	0	0	4	163	46	0	31	1	57	0	483
15:15	28	135	47	0	0	0	0	0	5	245	28	0	60	0	54	0	602
15:30	30	126	58	0	0	0	0	0	1	293	45	0	50	1	55	0	659
15:45	21	143	53	0	0	0	0	0	8	301	43	0	50	0	54	0	673
Total	102	517	203	0	0	0	0	0	18	1002	162	0	191	2	220	0	2417
16:00	32	143	41	0	0	0	0	0	6	256	39	0	64	0	65	0	646
16:15	37	126	51	0	0	0	0	0	4	272	46	0	82	0	54	0	672
16:30	31	141	61	0	0	0	0	0	16	269	33	0	49	1	35	0	636

Alliant Engineering

Minneapolis, MN 55415

--TRAFFIC DATA --

TH-10 at Foley Blvd , SOUTH RAMPS

Ref.Pt.: 231.948

Alliant Eng.

TURN MOVEMENT COUNT

File Name : 322_Foley Blvd & TH 10 S Ramp

Site Code : 322

Start Date : 3/1/2016

Page No : 2

Groups Printed- Vehicles - Trucks

Start Time	Foley Blvd / CSAH-11 Southbound				TH-10, South Ramps Westbound				Foley Blvd / CSAH-11 Northbound				TH-10, South Ramps Eastbound				Int. Total
	Left	Thru	Rght	Other	Left	Thru	Rght	Other	Left	Thru	Rght	Other	Left	Thru	Rght	Other	
16:45	43	144	53	0	0	0	0	0	14	267	63	0	83	4	58	0	729
Total	143	554	206	0	0	0	0	0	40	1064	181	0	278	5	212	0	2683
17:00	30	112	57	0	0	0	0	0	8	219	60	0	58	1	47	0	592
17:15	24	164	54	0	0	0	0	0	3	213	41	0	69	2	50	0	620
17:30	38	140	44	0	0	0	0	0	6	238	67	0	62	0	44	0	639
17:45	23	109	52	0	0	0	0	0	5	175	46	0	44	0	39	0	493
Total	115	525	207	0	0	0	0	0	22	845	214	0	233	3	180	0	2344
Grand Total	1355	4585	2734	1	0	0	0	2	311	5055	1621	0	1454	50	2094	0	19262
Apprch %	15.6	52.9	31.5	0	0	0	0	100	4.5	72.3	23.2	0	40.4	1.4	58.2	0	
Total %	7	23.8	14.2	0	0	0	0	0	1.6	26.2	8.4	0	7.5	0.3	10.9	0	
Vehicles	1332	4474	2695	0	0	0	0	0	304	4952	1564	0	1424	49	2056	0	18850
% Vehicles	98.3	97.6	98.6	0	0	0	0	0	97.7	98	96.5	0	97.9	98	98.2	0	97.9
Trucks	23	111	39	1	0	0	0	2	7	103	57	0	30	1	38	0	412
% Trucks	1.7	2.4	1.4	100	0	0	0	100	2.3	2	3.5	0	2.1	2	1.8	0	2.1

Alliant Engineering

Minneapolis, MN 55415

--TRAFFIC DATA --

TH-10 at Foley Blvd , SOUTH RAMPS

Ref.Pt.: 231.948

Alliant Eng.

TURN MOVEMENT COUNT

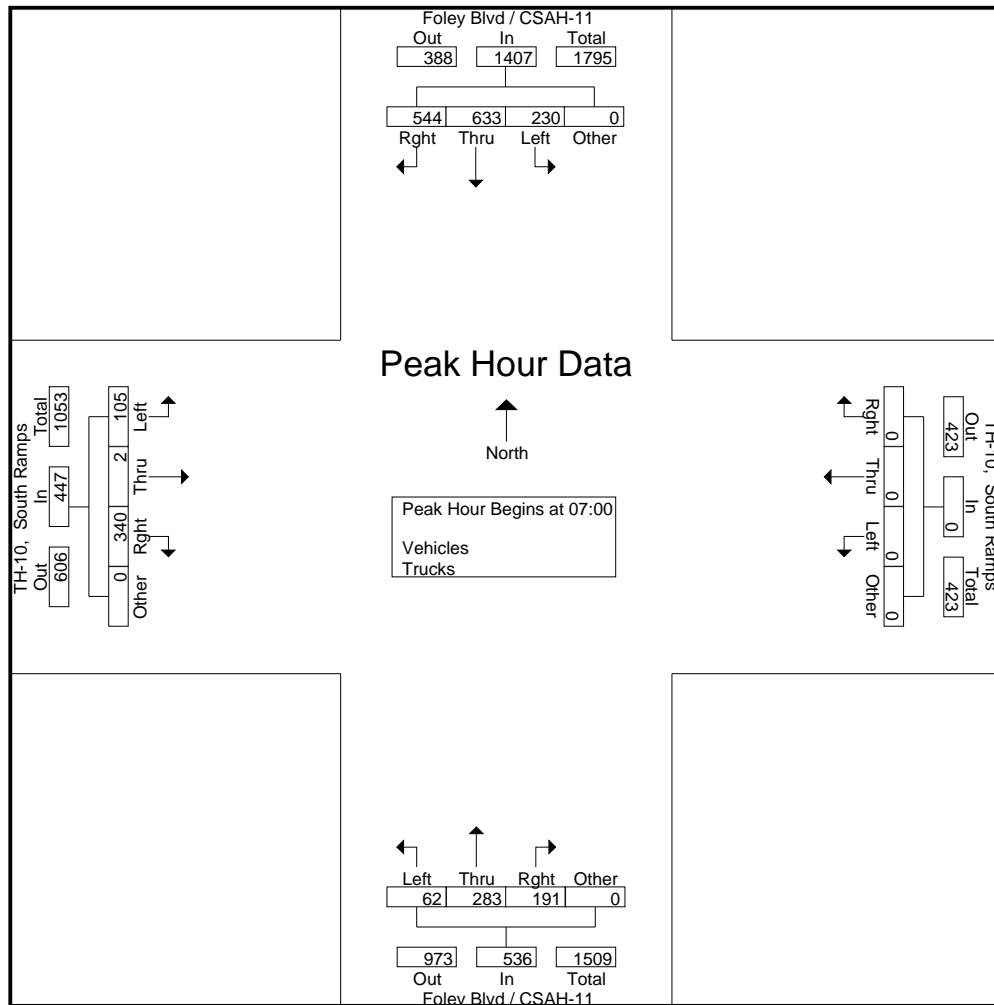
File Name : 322_Foley Blvd & TH 10 S Ramp

Site Code : 322

Start Date : 3/1/2016

Page No : 3

Start Time	Foley Blvd / CSAH-11 Southbound					TH-10, South Ramps Westbound					Foley Blvd / CSAH-11 Northbound					TH-10, South Ramps Eastbound					Int. Total
	Left	Thru	Rght	Other	App. Total	Left	Thru	Rght	Other	App. Total	Left	Thru	Rght	Other	App. Total	Left	Thru	Rght	Other	App. Total	
Peak Hour Analysis From 06:00 to 11:45 - Peak 1 of 1																					
Peak Hour for Entire Intersection Begins at 07:00																					
07:00	56	137	141	0	334	0	0	0	0	0	8	64	45	0	117	14	1	86	0	101	552
07:15	77	156	140	0	373	0	0	0	0	0	16	69	48	0	133	32	0	91	0	123	629
07:30	51	170	152	0	373	0	0	0	0	0	11	70	51	0	132	24	1	73	0	98	603
07:45	46	170	111	0	327	0	0	0	0	0	27	80	47	0	154	35	0	90	0	125	606
Total Volume	230	633	544	0	1407	0	0	0	0	0	62	283	191	0	536	105	2	340	0	447	2390
% App. Total	16.3	45	38.7	0		0	0	0	0	0	11.6	52.8	35.6	0		23.5	0.4	76.1	0		
PHF	.747	.931	.895	.000	.943	.000	.000	.000	.000	.000	.574	.884	.936	.000	.870	.750	.500	.934	.000	.894	.950



Alliant Engineering

Minneapolis, MN 55415

--TRAFFIC DATA --

TH-10 at Foley Blvd , SOUTH RAMPS

Ref.Pt.: 231.948

Alliant Eng.

TURN MOVEMENT COUNT

File Name : 322_Foley Blvd & TH 10 S Ramp

Site Code : 322

Start Date : 3/1/2016

Page No : 4

Start Time	Foley Blvd / CSAH-11 Southbound					TH-10, South Ramps Westbound					Foley Blvd / CSAH-11 Northbound					TH-10, South Ramps Eastbound					Int. Total
	Left	Thru	Rght	Other	App. Total	Left	Thru	Rght	Other	App. Total	Left	Thru	Rght	Other	App. Total	Left	Thru	Rght	Other	App. Total	
Peak Hour Analysis From 12:00 to 17:45 - Peak 1 of 1																					
Peak Hour for Entire Intersection Begins at 16:00																					
16:00	32	143	41	0	216	0	0	0	0	0	6	256	39	0	301	64	0	65	0	129	646
16:15	37	126	51	0	214	0	0	0	0	0	4	272	46	0	322	82	0	54	0	136	672
16:30	31	141	61	0	233	0	0	0	0	0	16	269	33	0	318	49	1	35	0	85	636
16:45	43	144	53	0	240	0	0	0	0	0	14	267	63	0	344	83	4	58	0	145	729
Total Volume	143	554	206	0	903	0	0	0	0	0	40	1064	181	0	1285	278	5	212	0	495	2683
% App. Total	15.8	61.4	22.8	0		0	0	0	0		3.1	82.8	14.1	0		56.2	1	42.8	0		
PHF	.831	.962	.844	.000	.941	.000	.000	.000	.000	.000	.625	.978	.718	.000	.934	.837	.313	.815	.000	.853	.920

