



MINNESOTA DEPT OF TRANSPORTATION

TRAFFIC DATA COLLECTION - METRO

TH-120 at 40th St N / Co.Rd.B
 Ref.Pt.: 006.213
 Data by: JI/MR
 TURN MOVEMENT COUNT

File Name : TH-120 at CoRd B-40th St N 2013
 Site Code :
 Start Date : 4/3/2013
 Page No : 1

Groups Printed- Cars +

Start Time	TH-120 / Century Ave Southbound				40th St. N Westbound				TH-120 / Century Ave Northbound				South Ave / Co.Rd.B Eastbound				Int. Total
	Left	Thru	Right	Peds	Left	Thru	Right	Peds	Left	Thru	Right	Peds	Left	Thru	Right	Peds	
06:00	3	23	0	0	1	8	19	0	5	38	0	0	8	3	11	0	119
06:15	4	31	8	0	1	11	8	0	8	31	0	0	10	1	10	0	123
06:30	1	39	1	0	6	24	18	0	17	37	2	0	5	5	12	0	167
06:45	3	65	5	0	3	15	16	0	12	54	0	0	5	7	11	0	196
Total	11	158	14	0	11	58	61	0	42	160	2	0	28	16	44	0	605
07:00	4	75	6	0	10	22	21	0	16	56	2	0	12	8	16	0	248
07:15	9	74	5	0	15	41	17	0	26	71	4	0	15	9	12	0	298
07:30	5	72	8	0	13	40	23	0	22	46	3	0	13	12	24	0	281
07:45	9	63	7	0	7	56	24	0	29	79	2	0	11	12	22	0	321
Total	27	284	26	0	45	159	85	0	93	252	11	0	51	41	74	0	1148
08:00	9	56	4	0	8	24	20	1	30	67	4	1	7	9	16	0	256
08:15	6	57	6	0	3	26	16	0	18	68	2	1	13	8	13	0	237
08:30	4	50	13	0	7	20	11	0	20	64	2	1	11	11	11	0	225
08:45	5	69	4	0	8	22	12	0	21	64	2	1	12	9	12	1	242
Total	24	232	27	0	26	92	59	1	89	263	10	4	43	37	52	1	960
*****BREAK*****																	
15:00	23	78	5	0	3	17	9	0	13	70	8	0	10	35	34	0	305
15:15	26	99	10	0	6	18	12	0	16	70	4	0	6	24	28	0	319
15:30	25	96	5	0	7	19	15	0	26	85	5	0	10	27	24	0	344
15:45	14	81	11	0	4	25	13	0	26	75	5	0	10	35	23	0	322
Total	88	354	31	0	20	79	49	0	81	300	22	0	36	121	109	0	1290
16:00	22	84	6	0	3	20	5	0	25	80	7	0	6	28	21	0	307
16:15	27	75	11	0	7	22	19	0	32	67	8	0	11	24	21	0	324
16:30	26	85	11	0	3	19	16	0	27	84	3	0	6	25	29	0	334
16:45	24	98	14	0	5	22	13	0	18	99	10	0	7	35	25	0	370
Total	99	342	42	0	18	83	53	0	102	330	28	0	30	112	96	0	1335
17:00	26	108	5	0	7	25	19	0	19	70	8	0	6	39	23	0	355
17:15	25	77	12	0	6	18	12	0	26	91	6	0	9	29	17	0	328
17:30	23	75	6	0	7	27	19	0	25	87	9	0	6	25	12	0	321
17:45	18	72	10	0	4	25	18	0	20	78	4	0	11	24	11	0	295
Total	92	332	33	0	24	95	68	0	90	326	27	0	32	117	63	0	1299
Grand Total	341	1702	173	0	144	566	375	1	497	1631	100	4	220	444	438	1	6637
Apprch %	15.4	76.8	7.8	0	13.3	52.1	34.5	0.1	22.3	73.1	4.5	0.2	19.9	40.3	39.7	0.1	
Total %	5.1	25.6	2.6	0	2.2	8.5	5.7	0	7.5	24.6	1.5	0.1	3.3	6.7	6.6	0	



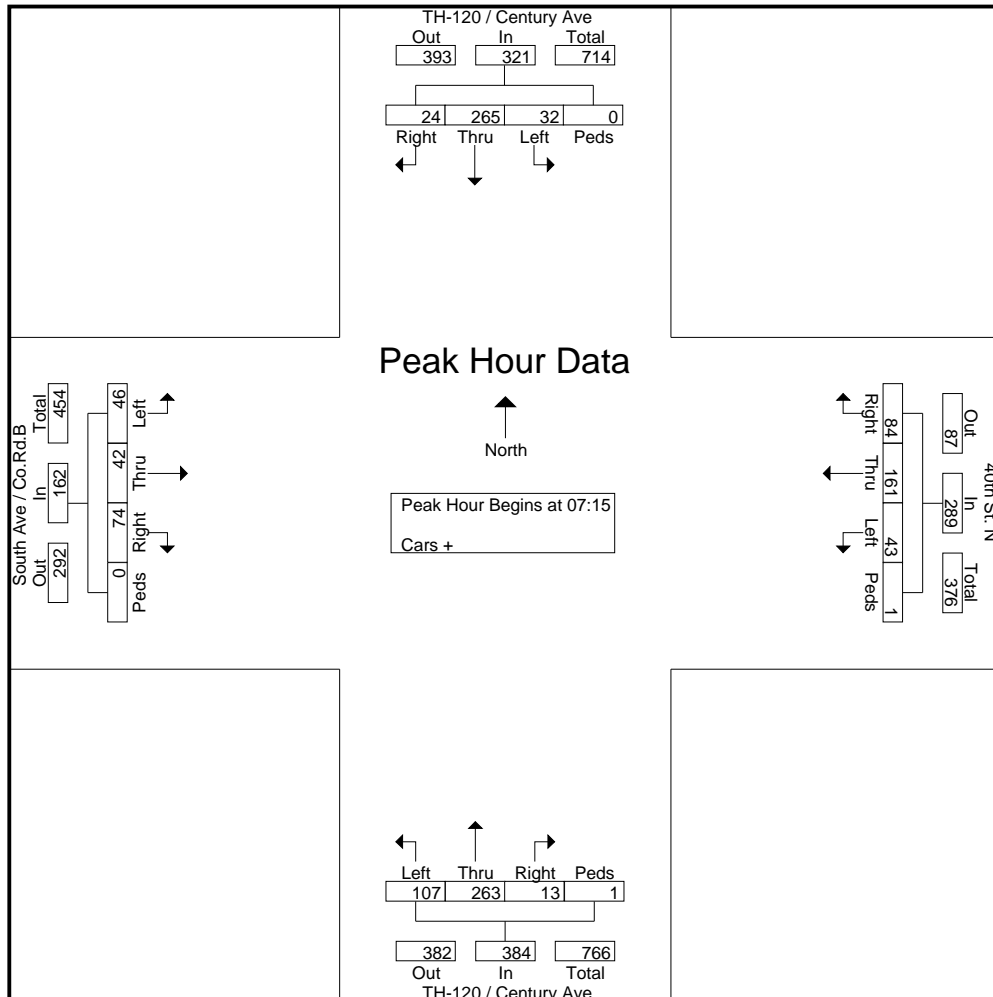
MINNESOTA DEPT OF TRANSPORTATION

TRAFFIC DATA COLLECTION - METRO

TH-120 at 40th St N / Co.Rd.B
 Ref.Pt.: 006.213
 Data by: JI/MR
 TURN MOVEMENT COUNT

File Name : TH-120 at CoRd B-40th St N 2013
 Site Code :
 Start Date : 4/3/2013
 Page No : 2

Start Time	TH-120 / Century Ave Southbound					40th St. N Westbound					TH-120 / Century Ave Northbound					South Ave / Co.Rd.B Eastbound					Int. Total
	Left	Thru	Right	Peds	App. Total	Left	Thru	Right	Peds	App. Total	Left	Thru	Right	Peds	App. Total	Left	Thru	Right	Peds	App. Total	
Peak Hour Analysis From 06:00 to 08:45 - Peak 1 of 1																					
Peak Hour for Entire Intersection Begins at 07:15																					
07:15	9	74	5	0	88	15	41	17	0	73	26	71	4	0	101	15	9	12	0	36	298
07:30	5	72	8	0	85	13	40	23	0	76	22	46	3	0	71	13	12	24	0	49	281
07:45	9	63	7	0	79	7	56	24	0	87	29	79	2	0	110	11	12	22	0	45	321
08:00	9	56	4	0	69	8	24	20	1	53	30	67	4	1	102	7	9	16	0	32	256
Total Volume	32	265	24	0	321	43	161	84	1	289	107	263	13	1	384	46	42	74	0	162	1156
% App. Total	10	82.6	7.5	0		14.9	55.7	29.1	0.3		27.9	68.5	3.4	0.3		28.4	25.9	45.7	0		
PHF	.889	.895	.750	.000	.912	.717	.719	.875	.250	.830	.892	.832	.813	.250	.873	.767	.875	.771	.000	.827	.900





MINNESOTA DEPT OF TRANSPORTATION

TRAFFIC DATA COLLECTION - METRO

TH-120 at 40th St N / Co.Rd.B
 Ref.Pt.: 006.213
 Data by: JI/MR
 TURN MOVEMENT COUNT

File Name : TH-120 at CoRd B-40th St N 2013
 Site Code :
 Start Date : 4/3/2013
 Page No : 3

Start Time	TH-120 / Century Ave Southbound					40th St. N Westbound					TH-120 / Century Ave Northbound					South Ave / Co.Rd.B Eastbound					Int. Total
	Left	Thru	Right	Peds	App. Total	Left	Thru	Right	Peds	App. Total	Left	Thru	Right	Peds	App. Total	Left	Thru	Right	Peds	App. Total	
Peak Hour Analysis From 15:00 to 17:45 - Peak 1 of 1																					
Peak Hour for Entire Intersection Begins at 16:30																					
16:30	26	85	11	0	122	3	19	16	0	38	27	84	3	0	114	6	25	29	0	60	334
16:45	24	98	14	0	136	5	22	13	0	40	18	99	10	0	127	7	35	25	0	67	370
17:00	26	108	5	0	139	7	25	19	0	51	19	70	8	0	97	6	39	23	0	68	355
17:15	25	77	12	0	114	6	18	12	0	36	26	91	6	0	123	9	29	17	0	55	328
Total Volume	101	368	42	0	511	21	84	60	0	165	90	344	27	0	461	28	128	94	0	250	1387
% App. Total	19.8	72	8.2	0		12.7	50.9	36.4	0		19.5	74.6	5.9	0		11.2	51.2	37.6	0		
PHF	.971	.852	.750	.000	.919	.750	.840	.789	.000	.809	.833	.869	.675	.000	.907	.778	.821	.810	.000	.919	.937

