

Associated Consulting Services (ACS)

Saint Paul, MN 55127

-- TRAFFIC DATA --

TH-13 at 205th St (CSAH-10)_2018

Ref. Pt: 078+00.414

Data Prepared By: ACS

TURNING MOVEMENT COUNT

File Name : TH-13 at 205th St (CSAH-10)_2018

Site Code :

Start Date : 12/4/2018

Page No : 1

Groups Printed- Cars - Trucks

Start Time	TH-13 Southbound				205th St (CSAH-10) Westbound				TH-13 Northbound				205th St (CSAH-10) Eastbound				Int. Total
	Left	Thru	Right	Peds	Left	Thru	Right	Peds	Left	Thru	Right	Peds	Left	Thru	Right	Peds	
06:00	0	5	0	0	0	3	0	0	2	71	1	0	3	2	1	0	88
06:15	1	12	0	0	1	2	0	0	6	104	0	0	1	4	0	0	131
06:30	0	27	0	0	0	3	5	0	2	118	1	0	3	4	0	0	163
06:45	3	18	1	0	0	1	4	0	0	91	1	0	4	3	0	0	126
Total	4	62	1	0	1	9	9	0	10	384	3	0	11	13	1	0	508
07:00	2	18	4	0	1	2	0	0	4	108	0	0	6	2	0	0	147
07:15	1	18	0	0	0	2	1	0	3	136	0	0	0	3	2	0	166
07:30	0	30	0	0	1	6	0	0	3	101	2	0	7	2	1	0	153
07:45	0	28	2	0	0	5	2	0	5	119	1	0	4	7	1	0	174
Total	3	94	6	0	2	15	3	0	15	464	3	0	17	14	4	0	640
08:00	2	11	1	0	1	1	3	0	1	60	0	0	2	4	0	0	86
08:15	1	18	0	0	3	8	2	0	2	57	2	0	1	1	1	0	96
08:30	0	21	0	0	0	0	2	0	1	72	0	0	2	1	0	0	99
08:45	0	12	0	0	0	0	1	0	2	61	0	0	1	2	1	0	80
Total	3	62	1	0	4	9	8	0	6	250	2	0	6	8	2	0	361
09:00	0	24	1	0	0	0	1	0	0	44	1	0	1	4	0	0	76
09:15	0	18	0	0	1	1	0	0	0	59	1	0	4	2	0	0	86
09:30	0	28	1	0	2	1	3	0	0	47	3	0	1	4	0	0	90
09:45	1	14	1	0	1	2	2	0	0	41	1	0	2	1	0	0	66
Total	1	84	3	0	4	4	6	0	0	191	6	0	8	11	0	0	318
10:00	2	25	0	0	0	3	1	0	0	37	0	0	1	5	0	0	74
10:15	0	29	1	0	1	1	1	0	0	36	2	0	0	1	1	0	73
10:30	0	23	0	0	0	0	2	0	1	35	2	0	5	2	0	0	70
10:45	0	22	0	0	0	2	1	0	1	40	1	0	4	4	0	0	75
Total	2	99	1	0	1	6	5	0	2	148	5	0	10	12	1	0	292
11:00	1	17	0	0	1	2	1	0	0	29	1	0	0	4	0	0	56
11:15	0	31	2	0	1	0	1	0	0	35	2	0	0	1	2	0	75
11:30	1	22	2	0	0	2	1	0	0	31	1	0	0	2	0	0	62
11:45	2	25	3	0	1	6	1	0	0	29	1	0	1	1	1	0	71
Total	4	95	7	0	3	10	4	0	0	124	5	0	1	8	3	0	264
12:00	1	26	3	0	0	1	0	0	0	31	0	0	1	3	1	0	67
12:15	1	27	1	0	0	5	0	0	0	32	1	0	3	0	1	0	71
12:30	0	35	0	0	0	1	0	0	0	32	0	0	3	1	0	0	72
12:45	0	40	3	0	2	2	0	0	1	24	2	0	0	2	2	0	78
Total	2	128	7	0	2	9	0	0	1	119	3	0	7	6	4	0	288
13:00	3	41	0	0	3	3	3	0	0	26	0	0	2	4	0	0	85
13:15	0	34	4	0	0	3	0	0	2	23	1	0	0	0	2	0	69
13:30	1	33	3	0	0	2	0	0	1	22	0	0	2	4	0	0	68
13:45	3	31	2	0	1	2	2	0	1	35	1	0	4	1	0	0	83
Total	7	139	9	0	4	10	5	0	4	106	2	0	8	9	2	0	305
14:00	0	31	1	0	0	1	0	0	0	34	1	0	3	1	0	0	72
14:15	4	44	1	0	1	3	1	0	2	42	0	0	4	3	2	0	107
14:30	0	51	0	0	1	3	1	0	1	27	0	0	1	2	1	0	88

Associated Consulting Services (ACS)

Saint Paul, MN 55127

-- TRAFFIC DATA --

TH-13 at 205th St (CSAH-10)_2018

Ref. Pt: 078+00.414

Data Prepared By: ACS

TURNING MOVEMENT COUNT

File Name : TH-13 at 205th St (CSAH-10)_2018

Site Code :

Start Date : 12/4/2018

Page No : 2

Groups Printed- Cars - Trucks

Start Time	TH-13 Southbound				205th St (CSAH-10) Westbound				TH-13 Northbound				205th St (CSAH-10) Eastbound				Int. Total
	Left	Thru	Right	Peds	Left	Thru	Right	Peds	Left	Thru	Right	Peds	Left	Thru	Right	Peds	
14:45	1	51	4	0	0	3	0	0	1	43	1	0	3	4	0	0	111
Total	5	177	6	0	2	10	2	0	4	146	2	0	11	10	3	0	378
15:00	2	60	3	0	2	5	0	0	0	34	1	0	2	1	0	0	110
15:15	1	73	5	0	1	4	3	0	2	39	1	0	4	3	4	0	140
15:30	2	81	4	0	0	2	1	0	3	43	1	0	4	3	3	0	147
15:45	1	89	5	0	2	7	2	0	1	31	1	0	1	3	1	0	144
Total	6	303	17	0	5	18	6	0	6	147	4	0	11	10	8	0	541
16:00	2	73	3	0	1	4	4	0	3	36	0	0	2	4	3	0	135
16:15	2	111	5	0	3	5	0	0	0	40	3	0	1	9	2	0	181
16:30	1	104	6	0	1	5	3	0	1	35	1	0	0	8	6	0	171
16:45	3	109	1	0	1	3	0	0	3	34	1	0	1	3	3	0	162
Total	8	397	15	0	6	17	7	0	7	145	5	0	4	24	14	0	649
17:00	2	105	6	0	0	4	1	0	3	25	2	0	1	4	3	0	156
17:15	3	108	4	0	0	4	0	0	1	31	0	0	3	4	4	0	162
17:30	1	89	6	0	2	5	4	0	1	28	1	0	1	4	2	0	144
17:45	1	77	8	0	0	6	1	0	1	30	2	0	0	3	0	0	129
Total	7	379	24	0	2	19	6	0	6	114	5	0	5	15	9	0	591
Grand Total	52	2019	97	0	36	136	61	0	61	2338	45	0	99	140	51	0	5135
Apprch %	2.4	93.1	4.5	0	15.5	58.4	26.2	0	2.5	95.7	1.8	0	34.1	48.3	17.6	0	
Total %	1	39.3	1.9	0	0.7	2.6	1.2	0	1.2	45.5	0.9	0	1.9	2.7	1	0	
Cars	47	1899	90	0	34	130	56	0	55	2218	44	0	99	129	47	0	4848
% Cars	90.4	94.1	92.8	0	94.4	95.6	91.8	0	90.2	94.9	97.8	0	100	92.1	92.2	0	94.4
Trucks	5	120	7	0	2	6	5	0	6	120	1	0	0	11	4	0	287
% Trucks	9.6	5.9	7.2	0	5.6	4.4	8.2	0	9.8	5.1	2.2	0	0	7.9	7.8	0	5.6

Associated Consulting Services (ACS)

Saint Paul, MN 55127

-- TRAFFIC DATA --

TH-13 at 205th St (CSAH-10)_2018

Ref. Pt: 078+00.414

Data Prepared By: ACS

TURNING MOVEMENT COUNT

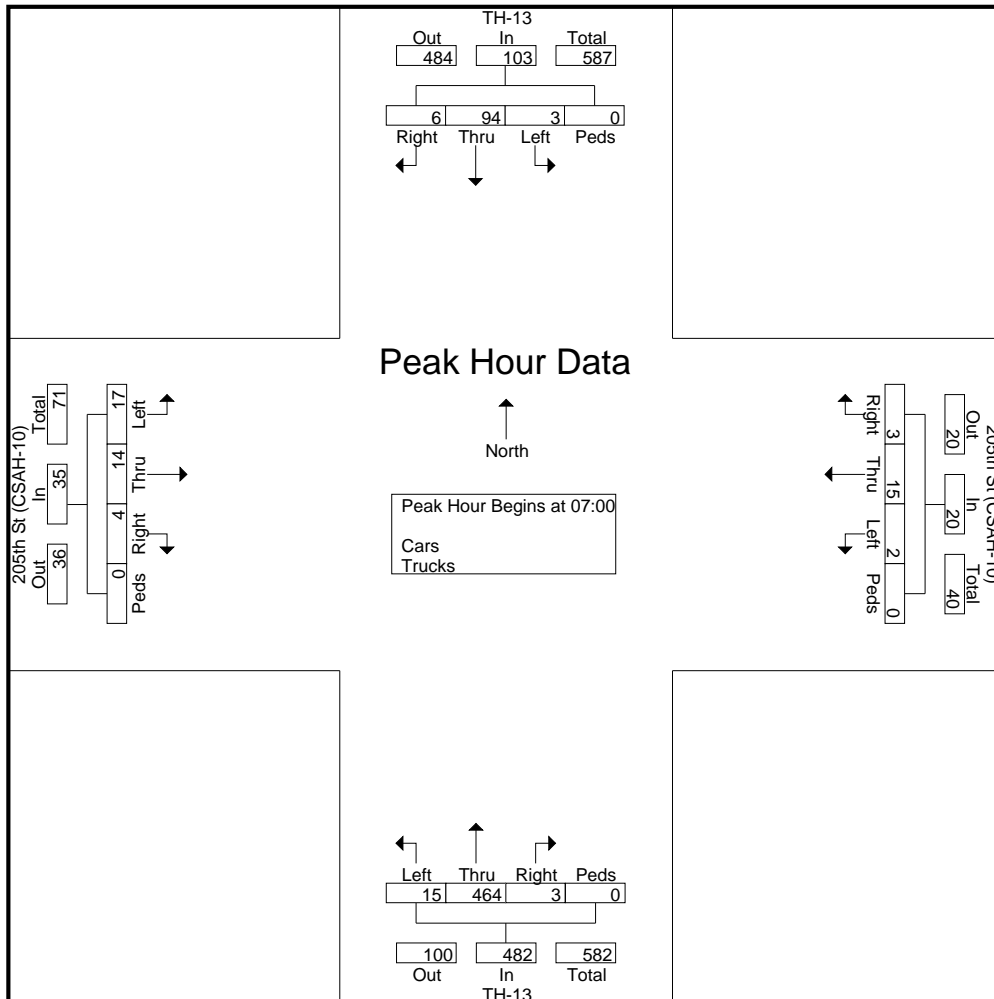
File Name : TH-13 at 205th St (CSAH-10)_2018

Site Code :

Start Date : 12/4/2018

Page No : 3

Start Time	TH-13 Southbound					205th St (CSAH-10) Westbound					TH-13 Northbound					205th St (CSAH-10) Eastbound					Int. Total
	Left	Thru	Right	Peds	App. Total	Left	Thru	Right	Peds	App. Total	Left	Thru	Right	Peds	App. Total	Left	Thru	Right	Peds	App. Total	
Peak Hour Analysis From 06:00 to 11:45 - Peak 1 of 1																					
Peak Hour for Entire Intersection Begins at 07:00																					
07:00	2	18	4	0	24	1	2	0	0	3	4	108	0	0	112	6	2	0	0	8	147
07:15	1	18	0	0	19	0	2	1	0	3	3	136	0	0	139	0	3	2	0	5	166
07:30	0	30	0	0	30	1	6	0	0	7	3	101	2	0	106	7	2	1	0	10	153
07:45	0	28	2	0	30	0	5	2	0	7	5	119	1	0	125	4	7	1	0	12	174
Total Volume	3	94	6	0	103	2	15	3	0	20	15	464	3	0	482	17	14	4	0	35	640
% App. Total	2.9	91.3	5.8	0		10	75	15	0		3.1	96.3	0.6	0		48.6	40	11.4	0		
PHF	.375	.783	.375	.000	.858	.500	.625	.375	.000	.714	.750	.853	.375	.000	.867	.607	.500	.500	.000	.729	.920



Associated Consulting Services (ACS)

Saint Paul, MN 55127

-- TRAFFIC DATA --

TH-13 at 205th St (CSAH-10)_2018

Ref. Pt: 078+00.414

Data Prepared By: ACS

TURNING MOVEMENT COUNT

File Name : TH-13 at 205th St (CSAH-10)_2018

Site Code :

Start Date : 12/4/2018

Page No : 4

Start Time	TH-13 Southbound					205th St (CSAH-10) Westbound					TH-13 Northbound					205th St (CSAH-10) Eastbound					Int. Total
	Left	Thru	Right	Peds	App. Total	Left	Thru	Right	Peds	App. Total	Left	Thru	Right	Peds	App. Total	Left	Thru	Right	Peds	App. Total	
Peak Hour Analysis From 12:00 to 17:45 - Peak 1 of 1																					
Peak Hour for Entire Intersection Begins at 16:15																					
16:15	2	111	5	0	118	3	5	0	0	8	0	40	3	0	43	1	9	2	0	12	181
16:30	1	104	6	0	111	1	5	3	0	9	1	35	1	0	37	0	8	6	0	14	171
16:45	3	109	1	0	113	1	3	0	0	4	3	34	1	0	38	1	3	3	0	7	162
17:00	2	105	6	0	113	0	4	1	0	5	3	25	2	0	30	1	4	3	0	8	156
Total Volume	8	429	18	0	455	5	17	4	0	26	7	134	7	0	148	3	24	14	0	41	670
% App. Total	1.8	94.3	4	0		19.2	65.4	15.4	0		4.7	90.5	4.7	0		7.3	58.5	34.1	0		
PHF	.667	.966	.750	.000	.964	.417	.850	.333	.000	.722	.583	.838	.583	.000	.860	.750	.667	.583	.000	.732	.925

