

SEH CONSULTING
Traffic Data Collection
TURN MOVEMENT COUNT

Nicollet Avenue at 126th Street W
6/27/2007 (13:00-15:00 on 8/21/2007)
data by SEH
TURN MOVEMENT COUNT

File Name : Nicollet Ave at 126th St W 2007
Site Code : 00000006
Start Date : 6/27/2007
Page No : 1

Groups Printed- Vehicles - Heavy Trucks - MVTA Busses

Start Time	Nicollet Ave Southbound				commercial driveway Westbound				Nicollet Ave Northbound				126th Street W Eastbound				Exclu. Total	Inclu. Total	Int. Total
	Left	Thru	Right	Peds	Left	Thru	Right	Peds	Left	Thru	Right	Peds	Left	Thru	Right	Peds			
06:00	2	9	0	0	1	1	5	2	1	87	4	1	2	0	0	0	3	112	115
06:15	3	17	2	0	1	0	5	0	2	119	4	0	2	0	2	1	1	157	158
06:30	0	25	4	0	5	0	4	0	0	196	6	0	5	0	1	0	0	246	246
06:45	3	25	4	0	5	0	8	1	3	215	13	1	6	0	2	0	2	284	286
Total	8	76	10	0	12	1	22	3	6	617	27	2	15	0	5	1	6	799	805
07:00	3	36	3	0	2	2	11	2	1	246	4	1	4	0	4	0	3	316	319
07:15	2	30	2	0	3	0	17	2	0	285	10	1	1	0	5	4	7	355	362
07:30	4	49	3	0	4	0	4	0	2	264	6	1	8	0	5	0	1	349	350
07:45	3	59	3	0	0	1	7	1	5	213	5	0	4	0	8	1	2	308	310
Total	12	174	11	0	9	3	39	5	8	1008	25	3	17	0	22	5	13	1328	1341
08:00	3	49	3	0	1	3	10	1	4	191	12	0	5	0	4	1	2	285	287
08:15	5	65	3	0	6	1	11	0	2	164	9	2	5	1	7	1	3	279	282
08:30	4	50	6	0	5	0	19	2	9	117	10	3	8	1	2	0	5	231	236
08:45	12	64	10	1	8	0	5	0	3	122	6	1	7	1	1	0	2	239	241
Total	24	228	22	1	20	4	45	3	18	594	37	6	25	3	14	2	12	1034	1046
*** BREAK ***																			
11:00	3	82	5	0	7	1	14	0	5	97	8	11	4	1	6	10	21	233	254
11:15	8	103	6	0	9	1	16	0	2	90	16	1	3	2	5	4	5	261	266
11:30	16	126	10	0	14	2	23	3	3	108	5	3	7	3	6	3	9	323	332
11:45	20	110	7	5	8	1	10	6	5	91	13	5	12	4	13	1	17	294	311
Total	47	421	28	5	38	5	63	9	15	386	42	20	26	10	30	18	52	1111	1163
12:00	20	126	13	3	10	2	26	8	4	107	23	8	6	1	10	6	25	348	373
12:15	14	105	9	6	11	0	20	7	4	113	15	2	7	1	8	7	22	307	329
12:30	15	102	11	11	12	2	29	0	3	103	9	0	3	2	8	2	13	299	312
12:45	14	103	8	5	5	2	20	0	3	124	13	5	11	0	11	2	12	314	326
Total	63	436	41	25	38	6	95	15	14	447	60	15	27	4	37	17	72	1268	1340
13:00	19	100	4	0	8	3	19	3	4	118	12	5	4	0	7	4	12	298	310
13:15	12	95	8	4	10	1	18	4	2	124	12	1	10	1	2	0	9	295	304
13:30	12	118	5	1	8	1	22	3	2	91	9	6	5	1	6	3	13	280	293
13:45	11	90	2	1	10	1	18	2	1	108	18	1	7	1	1	1	5	268	273
Total	54	403	19	6	36	6	77	12	9	441	51	13	26	3	16	8	39	1141	1180
14:00	13	100	8	0	6	3	11	1	2	86	5	0	3	0	9	1	2	246	248
14:15	11	94	4	0	5	0	10	0	4	106	12	1	8	1	10	0	1	265	266
14:30	10	96	6	0	10	2	13	0	3	88	10	0	3	1	5	0	0	247	247
14:45	15	100	7	0	7	2	11	2	3	92	5	2	5	1	1	1	5	249	254
Total	49	390	25	0	28	7	45	3	12	372	32	3	19	3	25	2	8	1007	1015
15:00	10	89	10	3	6	0	13	0	6	82	5	3	9	2	8	6	12	240	252
15:15	11	106	9	4	5	1	12	6	5	79	7	9	6	0	10	5	24	251	275
15:30	10	111	12	4	1	2	13	3	2	102	5	5	6	2	8	8	20	274	294
15:45	12	147	9	1	6	5	10	0	5	83	5	2	6	1	15	2	5	304	309
Total	43	453	40	12	18	8	48	9	18	346	22	19	27	5	41	21	61	1069	1130
16:00	13	183	8	0	4	4	11	0	1	95	10	2	9	1	9	0	2	348	350
16:15	9	168	12	0	4	1	6	1	2	100	7	0	7	1	3	0	1	320	321
16:30	13	217	10	3	4	1	15	3	4	116	8	9	4	3	4	1	16	399	415
16:45	13	195	16	1	4	1	10	2	5	93	6	3	3	0	6	1	7	352	359
Total	48	763	46	4	16	7	42	6	12	404	31	14	23	5	22	2	26	1419	1445
17:00	13	229	14	3	6	1	11	3	3	99	10	4	12	0	6	5	15	404	419
17:15	8	206	11	1	7	1	11	5	4	128	10	9	13	2	14	6	21	415	436
17:30	7	215	14	0	5	0	11	0	5	96	7	2	12	2	6	2	4	380	384
17:45	16	184	20	1	8	1	12	1	4	103	15	0	5	0	9	0	2	377	379
Total	44	834	59	5	26	3	45	9	16	426	42	15	42	4	35	13	42	1576	1618

SEH CONSULTING
Traffic Data Collection
TURN MOVEMENT COUNT

Nicollet Avenue at 126th Street W
6/27/2007 (13:00-15:00 on 8/21/2007)
data by SEH
TURN MOVEMENT COUNT

File Name : Nicollet Ave at 126th St W 2007
Site Code : 00000006
Start Date : 6/27/2007
Page No : 2

Groups Printed- Vehicles - Heavy Trucks - MVTA Busses

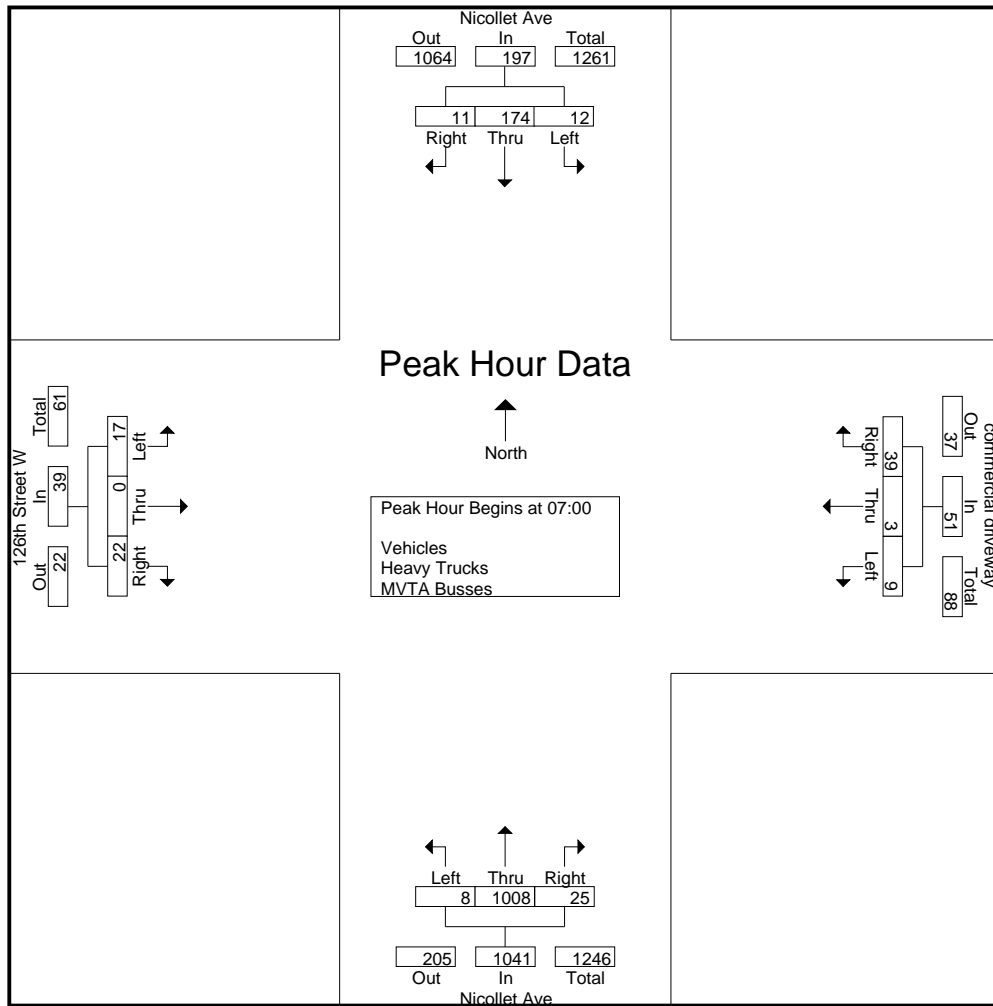
	Nicollet Ave Southbound				commercial driveway Westbound				Nicollet Ave Northbound				126th Street W Eastbound				Exclu. Total	Inclu. Total	Int. Total
	Left	Thru	Right	Peds	Left	Thru	Right	Peds	Left	Thru	Right	Peds	Left	Thru	Right	Peds			
Grand Total	392	4178	301	58	241	50	521	74	128	5041	369	110	247	37	247	89	331	11752	12083
Apprch %	8	85.8	6.2		29.7	6.2	64.2		2.3	91	6.7		46.5	7	46.5				
Total %	3.3	35.6	2.6		2.1	0.4	4.4		1.1	42.9	3.1		2.1	0.3	2.1		2.7	97.3	
Vehicles	390	4120	301		240	50	519		128	4968	369		245	37	244		0	0	11942
% Vehicles	99.5	98.6	100	100	99.6	100	99.6	100	100	98.6	100	100	99.2	100	98.8	100	0	0	98.8
Heavy Trucks	2	15	0		1	0	2		0	34	0		0	0	0		0	0	54
% Heavy Trucks	0.5	0.4	0	0	0.4	0	0.4	0	0	0.7	0	0	0	0	0	0	0	0	0.4
MVTA Busses	0	43	0		0	0	0		0	39	0		2	0	3		0	0	87
% MVTA Busses	0	1	0	0	0	0	0	0	0	0.8	0	0	0.8	0	1.2	0	0	0	0.7

SEH CONSULTING
Traffic Data Collection
TURN MOVEMENT COUNT

Nicollet Avenue at 126th Street W
6/27/2007 (13:00-15:00 on 8/21/2007)
data by SEH
TURN MOVEMENT COUNT

File Name : Nicollet Ave at 126th St W 2007
Site Code : 00000006
Start Date : 6/27/2007
Page No : 3

Start Time	Nicollet Ave Southbound				commercial driveway Westbound				Nicollet Ave Northbound				126th Street W Eastbound				Int. Total
	Left	Thru	Right	App. Total	Left	Thru	Right	App. Total	Left	Thru	Right	App. Total	Left	Thru	Right	App. Total	
Peak Hour Analysis From 06:00 to 08:45 - Peak 1 of 1																	
Peak Hour for Entire Intersection Begins at 07:00																	
07:00	3	36	3	42	2	2	11	15	1	246	4	251	4	0	4	8	316
07:15	2	30	2	34	3	0	17	20	0	285	10	295	1	0	5	6	355
07:30	4	49	3	56	4	0	4	8	2	264	6	272	8	0	5	13	349
07:45	3	59	3	65	0	1	7	8	5	213	5	223	4	0	8	12	308
Total Volume	12	174	11	197	9	3	39	51	8	1008	25	1041	17	0	22	39	1328
% App. Total	6.1	88.3	5.6		17.6	5.9	76.5		0.8	96.8	2.4		43.6	0	56.4		
PHF	.750	.737	.917	.758	.563	.375	.574	.638	.400	.884	.625	.882	.531	.000	.688	.750	.935



SEH CONSULTING
Traffic Data Collection
TURN MOVEMENT COUNT

Nicollet Avenue at 126th Street W
6/27/2007 (13:00-15:00 on 8/21/2007)
data by SEH
TURN MOVEMENT COUNT

File Name : Nicollet Ave at 126th St W 2007
Site Code : 00000006
Start Date : 6/27/2007
Page No : 4

Start Time	Nicollet Ave Southbound				commercial driveway Westbound				Nicollet Ave Northbound				126th Street W Eastbound				Int. Total
	Left	Thru	Right	App. Total	Left	Thru	Right	App. Total	Left	Thru	Right	App. Total	Left	Thru	Right	App. Total	
Peak Hour Analysis From 15:00 to 17:45 - Peak 1 of 1																	
Peak Hour for Entire Intersection Begins at 17:00																	
17:00	13	229	14	256	6	1	11	18	3	99	10	112	12	0	6	18	404
17:15	8	206	11	225	7	1	11	19	4	128	10	142	13	2	14	29	415
17:30	7	215	14	236	5	0	11	16	5	96	7	108	12	2	6	20	380
17:45	16	184	20	220	8	1	12	21	4	103	15	122	5	0	9	14	377
Total Volume	44	834	59	937	26	3	45	74	16	426	42	484	42	4	35	81	1576
% App. Total	4.7	89	6.3		35.1	4.1	60.8		3.3	88	8.7		51.9	4.9	43.2		
PHF	.688	.910	.738	.915	.813	.750	.938	.881	.800	.832	.700	.852	.808	.500	.625	.698	.949

