

Alliant Engineering, Inc

233 Park Ave Suite 300
 Minneapolis, MN 55415

--TRAFFIC DATA--

Silver Bell Road at Cedarvale Boulevard

Ref.Pt.:102+00.57

data by : Alliant Inc.

TURN MOVEMENT COUNT

File Name : 541_Silver Bell Rd and Cedarvale Blvd

Site Code : 541

Start Date : 1/26/2017

Page No : 1

Groups Printed- Vehicles - Trucks

Start Time	Cedarvale Blvd From North					Silver Bell Rd From East					Cedarvale Blvd From South					Silver Bell Rd From West					Int. Total
	Other	Rght	Thru	Left	App. Total	Other	Rght	Thru	Left	App. Total	Other	Rght	Thru	Left	App. Total	Other	Rght	Thru	Left	App. Total	
06:00 AM	0	45	1	2	48	0	7	19	0	26	0	0	0	2	2	0	5	2	13	20	96
06:15 AM	0	61	7	3	71	0	5	38	0	43	0	0	1	5	6	0	2	6	12	20	140
06:30 AM	0	77	5	4	86	0	10	48	0	58	0	0	2	10	12	0	3	8	22	33	189
06:45 AM	0	85	2	6	93	0	10	35	0	45	0	0	1	9	10	0	6	5	19	30	178
Total	0	268	15	15	298	0	32	140	0	172	0	0	4	26	30	0	16	21	66	103	603
07:00 AM	0	98	10	3	111	0	11	48	0	59	0	0	1	14	15	0	5	5	33	43	228
07:15 AM	0	97	1	1	99	0	11	67	1	79	0	0	4	11	15	0	1	6	29	36	229
07:30 AM	0	126	3	6	135	0	10	85	0	95	0	0	5	21	26	0	3	10	42	55	311
07:45 AM	0	90	4	5	99	0	7	67	0	74	0	1	3	14	18	0	8	12	39	59	250
Total	0	411	18	15	444	0	39	267	1	307	0	1	13	60	74	0	17	33	143	193	1018
08:00 AM	0	82	2	7	91	0	4	49	0	53	0	0	4	10	14	0	13	11	44	68	226
08:15 AM	0	83	3	7	93	0	6	45	0	51	0	0	1	7	8	0	7	11	27	45	197
08:30 AM	0	66	5	7	78	0	8	32	0	40	0	0	1	9	10	0	6	15	30	51	179
08:45 AM	0	76	4	15	95	0	9	32	0	41	0	0	3	9	12	0	24	22	31	77	225
Total	0	307	14	36	357	0	27	158	0	185	0	0	9	35	44	0	50	59	132	241	827
09:00 AM	0	51	5	6	62	0	12	34	0	46	0	0	5	6	11	0	10	12	23	45	164
09:15 AM	0	47	6	10	63	0	14	35	0	49	0	0	2	9	11	0	15	12	32	59	182
*** BREAK ***																					
Total	0	98	11	16	125	0	26	69	0	95	0	0	7	15	22	0	25	24	55	104	346
*** BREAK ***																					
10:30 AM	0	33	0	16	49	0	10	21	0	31	0	1	3	8	12	0	20	17	35	72	164
10:45 AM	0	53	5	14	72	0	6	26	1	33	0	0	3	12	15	0	39	21	31	91	211
Total	0	86	5	30	121	0	16	47	1	64	0	1	6	20	27	0	59	38	66	163	375
11:00 AM	2	32	4	8	46	0	10	18	0	28	0	0	2	15	17	0	29	26	50	105	196
11:15 AM	2	50	4	14	70	0	7	26	0	33	0	0	2	15	17	0	46	28	39	113	233
11:30 AM	1	43	5	12	61	2	10	21	0	33	0	1	1	26	28	0	40	24	43	107	229
11:45 AM	1	48	2	9	60	0	13	22	0	35	0	1	3	29	33	0	31	31	35	97	225
Total	6	173	15	43	237	2	40	87	0	129	0	2	8	85	95	0	146	109	167	422	883
12:00 PM	2	53	5	13	73	2	17	35	1	55	0	0	5	24	29	0	37	40	45	122	279
12:15 PM	0	53	6	11	70	0	14	26	0	40	0	0	7	28	35	0	31	20	55	106	251
12:30 PM	1	56	8	10	75	1	16	40	0	57	0	1	5	36	42	0	30	27	61	118	292
12:45 PM	1	67	10	10	88	0	15	42	0	57	0	0	4	32	36	0	48	37	36	121	302
Total	4	229	29	44	306	3	62	143	1	209	0	1	21	120	142	0	146	124	197	467	1124
01:00 PM	1	53	5	13	72	0	18	34	0	52	0	1	5	21	27	0	32	45	48	125	276
01:15 PM	1	56	4	7	68	0	16	32	0	48	0	0	6	35	41	0	34	28	41	103	260
*** BREAK ***																					
Total	2	109	9	20	140	0	34	66	0	100	0	1	11	56	68	0	66	73	89	228	536
*** BREAK ***																					
02:30 PM	0	55	4	15	74	0	15	22	0	37	0	0	5	27	32	0	35	30	41	106	249
02:45 PM	0	51	7	15	73	0	6	38	0	44	0	1	5	21	27	0	34	37	53	124	268
Total	0	106	11	30	147	0	21	60	0	81	0	1	10	48	59	0	69	67	94	230	517
03:00 PM	1	39	2	14	56	1	21	26	0	48	0	0	7	32	39	0	31	38	43	112	255
03:15 PM	0	42	5	12	59	0	22	25	0	47	0	0	6	33	39	0	35	38	67	140	285
03:30 PM	0	41	8	15	64	0	16	28	0	44	0	0	6	32	38	0	44	39	60	143	289
03:45 PM	0	53	2	17	72	0	17	27	0	44	0	0	2	26	28	0	49	63	72	184	328
Total	1	175	17	58	251	1	76	106	0	183	0	0	21	123	144	0	159	178	242	579	1157
04:00 PM	0	40	7	16	63	0	25	37	0	62	0	0	7	24	31	0	36	53	77	166	322
04:15 PM	0	51	11	12	74	0	13	29	0	42	0	1	4	19	24	0	52	65	60	177	317
04:30 PM	0	37	9	33	79	1	20	30	0	51	0	0	9	33	42	0	46	66	67	179	351
04:45 PM	2	52	10	26	90	1	13	35	0	49	0	0	3	22	25	0	56	76	76	208	372
Total	2	180	37	87	306	2	71	131	0	204	0	1	23	98	122	0	190	260	280	730	1362

Alliant Engineering, Inc

233 Park Ave Suite 300
 Minneapolis, MN 55415

--TRAFFIC DATA--

Silver Bell Road at Cedarvale Boulevard
 Ref.Pt.:102+00.57
 data by : Alliant Inc.
 TURN MOVEMENT COUNT

File Name : 541_Silver Bell Rd and Cedarvale Blvd
 Site Code : 541
 Start Date : 1/26/2017
 Page No : 2

Groups Printed- Vehicles - Trucks

Start Time	Cedarvale Blvd From North					Silver Bell Rd From East					Cedarvale Blvd From South					Silver Bell Rd From West					Int. Total
	Other	Rght	Thru	Left	App. Total	Other	Rght	Thru	Left	App. Total	Other	Rght	Thru	Left	App. Total	Other	Rght	Thru	Left	App. Total	
05:00 PM	0	66	6	23	95	0	14	35	0	49	0	2	4	48	54	0	72	78	92	242	440
05:15 PM	2	54	6	22	84	0	11	35	0	46	1	2	3	24	30	0	73	76	89	238	398
05:30 PM	2	50	13	31	96	0	14	26	0	40	0	0	7	34	41	0	55	71	76	202	379
05:45 PM	3	67	6	12	88	0	17	28	0	45	0	0	8	33	41	0	38	58	73	169	343
Total	7	237	31	88	363	0	56	124	0	180	1	4	22	139	166	0	238	283	330	851	1560
Grand Total	22	2379	212	482	3095	8	500	1398	3	1909	1	12	155	825	993	0	1181	1269	1861	4311	10308
Apprch %	0.7	76.9	6.8	15.6		0.4	26.2	73.2	0.2		0.1	1.2	15.6	83.1		0	27.4	29.4	43.2		
Total %	0.2	23.1	2.1	4.7	30	0.1	4.9	13.6	0	18.5	0	0.1	1.5	8	9.6	0	11.5	12.3	18.1	41.8	
Vehicles	22	2349	205	453	3029	7	467	1384	3	1861	1	12	147	812	972	0	1169	1237	1824	4230	10092
% Vehicles	100	98.7	96.7	94	97.9	87.5	93.4	99	100	97.5	100	100	94.8	98.4	97.9	0	99	97.5	98	98.1	97.9
Trucks	0	30	7	29	66	1	33	14	0	48	0	0	8	13	21	0	12	32	37	81	216
% Trucks	0	1.3	3.3	6	2.1	12.5	6.6	1	0	2.5	0	0	5.2	1.6	2.1	0	1	2.5	2	1.9	2.1

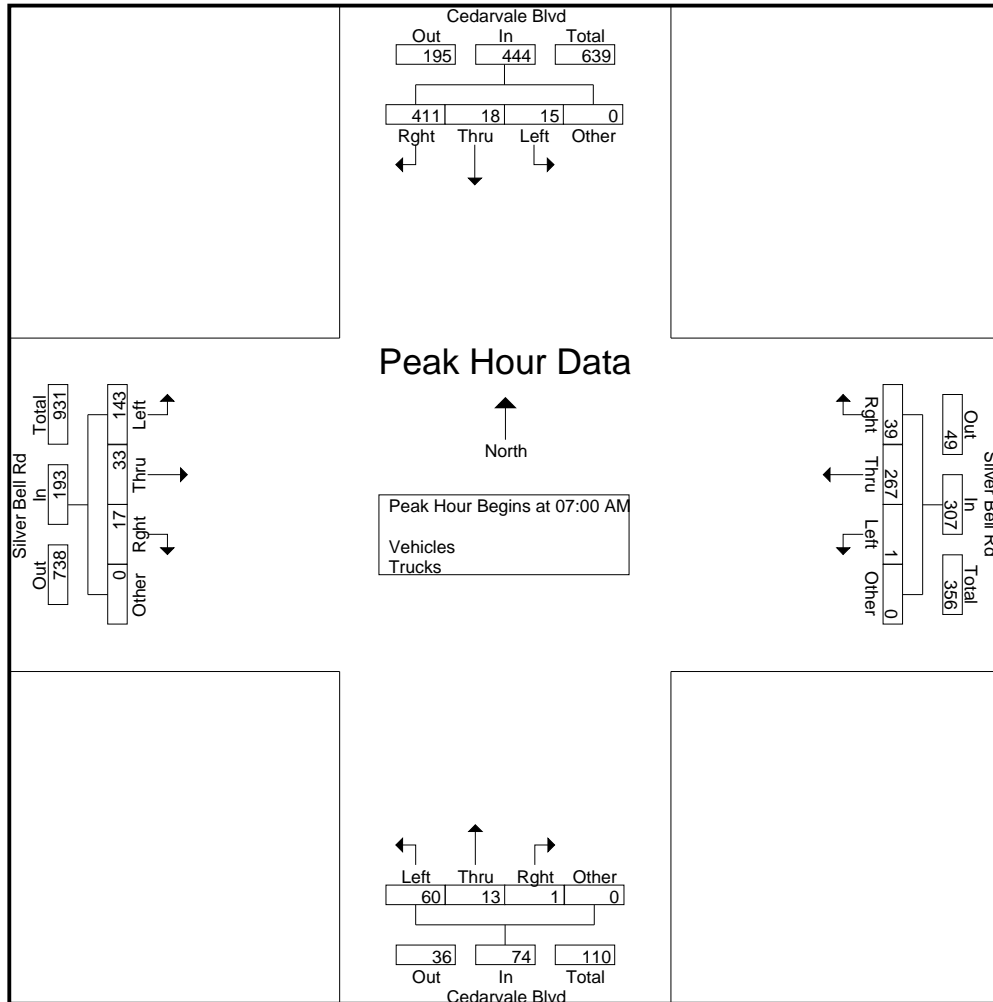
Alliant Engineering, Inc

233 Park Ave Suite 300
 Minneapolis, MN 55415
 --TRAFFIC DATA--

Silver Bell Road at Cedarvale Boulevard
 Ref.Pt.:102+00.57
 data by : Alliant Inc.
 TURN MOVEMENT COUNT

File Name : 541_Silver Bell Rd and Cedarvale Blvd
 Site Code : 541
 Start Date : 1/26/2017
 Page No : 3

Start Time	Cedarvale Blvd From North					Silver Bell Rd From East					Cedarvale Blvd From South					Silver Bell Rd From West					Int. Total
	Other	Rght	Thru	Left	App. Total	Other	Rght	Thru	Left	App. Total	Other	Rght	Thru	Left	App. Total	Other	Rght	Thru	Left	App. Total	
Peak Hour Analysis From 06:00 AM to 11:45 AM - Peak 1 of 1																					
Peak Hour for Entire Intersection Begins at 07:00 AM																					
07:00 AM	0	98	10	3	111	0	11	48	0	59	0	0	1	14	15	0	5	5	33	43	228
07:15 AM	0	97	1	1	99	0	11	67	1	79	0	0	4	11	15	0	1	6	29	36	229
07:30 AM	0	126	3	6	135	0	10	85	0	95	0	0	5	21	26	0	3	10	42	55	311
07:45 AM	0	90	4	5	99	0	7	67	0	74	0	1	3	14	18	0	8	12	39	59	250
Total Volume	0	411	18	15	444	0	39	267	1	307	0	1	13	60	74	0	17	33	143	193	1018
% App. Total	0	92.6	4.1	3.4		0	12.7	87	0.3		0	1.4	17.6	81.1		0	8.8	17.1	74.1		
PHF	.000	.815	.450	.625	.822	.000	.886	.785	.250	.808	.000	.250	.650	.714	.712	.000	.531	.688	.851	.818	.818



Alliant Engineering, Inc

233 Park Ave Suite 300
 Minneapolis, MN 55415
 --TRAFFIC DATA--

Silver Bell Road at Cedarvale Boulevard
 Ref.Pt.:102+00.57
 data by : Alliant Inc.
 TURN MOVEMENT COUNT

File Name : 541_Silver Bell Rd and Cedarvale Blvd
 Site Code : 541
 Start Date : 1/26/2017
 Page No : 4

Start Time	Cedarvale Blvd From North					Silver Bell Rd From East					Cedarvale Blvd From South					Silver Bell Rd From West					Int. Total
	Other	Rgh t	Thr u	Left	App. Total	Other	Rgh t	Thr u	Left	App. Total	Other	Rgh t	Thr u	Left	App. Total	Other	Rgh t	Thr u	Left	App. Total	
Peak Hour Analysis From 12:00 PM to 05:45 PM - Peak 1 of 1																					
Peak Hour for Entire Intersection Begins at 04:45 PM																					
04:45 PM	2	52	10	26	90	1	13	35	0	49	0	0	3	22	25	0	56	76	76	208	372
05:00 PM	0	66	6	23	95	0	14	35	0	49	0	2	4	48	54	0	72	78	92	242	440
05:15 PM	2	54	6	22	84	0	11	35	0	46	1	2	3	24	30	0	73	76	89	238	398
05:30 PM	2	50	13	31	96	0	14	26	0	40	0	0	7	34	41	0	55	71	76	202	379
Total Volume	6	222	35	102	365	1	52	131	0	184	1	4	17	128	150	0	256	301	333	890	1589
% App. Total	1.6	60.8	9.6	27.9		0.5	28.3	71.2	0		0.7	2.7	11.3	85.3		0	28.8	33.8	37.4		
PHF	.750	.841	.673	.823	.951	.250	.929	.936	.000	.939	.250	.500	.607	.667	.694	.000	.877	.965	.905	.919	.903

