



MINNESOTA DEPT OF TRANSPORTATION

TRAFFIC DATA COLLECTION - METRO

Location: TH 169 @ MAIN ST 2006
 REF. PT.:146+00.431
 Jamar# 1358/MAR
 TURN MOVEMENT COUNT

File Name : TH 169 AT MAIN ST 2006
 Site Code : 00000000
 Start Date : 4/26/2006
 Page No : 1

Groups Printed- Cars & Trucks

Start Time	TH 169 Southbound					MAIN ST Westbound					TH 169 Northbound					MAIN ST Eastbound					Int. Total
	LEFT	THRU	RIGHT	Peds	App. Total	LEFT	THRU	RIGHT	Peds	App. Total	LEFT	THRU	RIGHT	Peds	App. Total	LEFT	THRU	RIGHT	Peds	App. Total	
06:00	7	271	0	0	278	81	10	0	1	92	17	72	38	0	127	1	27	133	1	162	659
06:15	6	333	1	1	341	108	13	5	1	127	40	81	72	0	193	0	45	131	1	177	838
06:30	3	385	1	0	389	93	22	5	0	120	35	126	114	0	275	0	54	150	0	204	988
06:45	6	298	2	0	306	118	22	2	1	143	78	153	134	0	365	0	39	151	0	190	1004
Total	22	1287	4	1	1314	400	67	12	3	482	170	432	358	0	960	1	165	565	2	733	3489
07:00	3	362	1	0	366	146	31	7	1	185	61	119	134	0	314	15	51	128	0	194	1059
07:15	11	309	1	0	321	129	20	5	1	155	69	164	177	0	410	0	49	149	0	198	1084
07:30	11	316	2	4	333	151	48	11	2	212	62	205	164	0	431	0	61	157	4	222	1198
07:45	14	255	4	0	273	135	44	15	2	196	90	218	173	0	481	6	154	154	0	314	1264
Total	39	1242	8	4	1293	561	143	38	6	748	282	706	648	0	1636	21	315	588	4	928	4605
08:00	27	281	1	0	309	104	52	34	1	191	51	146	158	1	356	1	147	133	3	284	1140
08:15	31	212	5	0	248	108	36	24	1	169	55	153	118	2	328	7	76	123	1	207	952
08:30	25	173	3	0	201	109	30	11	0	150	58	121	149	0	328	8	56	103	0	167	846
08:45	45	168	9	0	222	78	19	12	0	109	68	197	138	0	403	11	83	136	0	230	964
Total	128	834	18	0	980	399	137	81	2	619	232	617	563	3	1415	27	362	495	4	888	3902
11:00	34	130	5	0	169	109	52	25	1	187	42	163	122	0	327	10	59	80	0	149	832
11:15	35	111	10	0	156	118	48	19	1	186	37	136	121	0	294	6	88	99	2	195	831
11:30	24	124	14	0	162	137	73	21	1	232	40	138	111	0	289	7	75	79	0	161	844
11:45	23	108	10	0	141	124	75	25	1	225	50	158	140	0	348	6	88	103	3	200	914
Total	116	473	39	0	628	488	248	90	4	830	169	595	494	0	1258	29	310	361	5	705	3421
12:00	41	95	15	0	151	117	83	35	2	237	44	144	134	0	322	5	111	76	0	192	902
12:15	28	129	7	0	164	123	84	31	0	238	47	168	135	0	350	8	72	96	0	176	928
12:30	20	137	7	1	165	116	60	28	1	205	52	178	137	2	369	6	70	83	0	159	898
12:45	28	110	4	0	142	135	54	20	1	210	63	144	136	0	343	12	73	76	0	161	856
Total	117	471	33	1	622	491	281	114	4	890	206	634	542	2	1384	31	326	331	0	688	3584
15:00	20	139	6	0	165	150	98	18	3	269	70	258	153	2	483	18	84	108	3	213	1130
15:15	21	166	8	0	195	172	107	18	6	303	53	277	151	5	486	7	73	88	3	171	1155
15:30	12	159	7	1	179	192	100	12	1	305	67	336	175	3	581	19	52	98	2	171	1236
15:45	28	165	11	0	204	150	110	31	0	291	67	287	188	0	542	12	79	126	1	218	1255
Total	81	629	32	1	743	664	415	79	10	1168	257	1158	667	10	2092	56	288	420	9	773	4776
16:00	23	150	6	1	180	166	99	31	2	298	64	285	181	0	530	10	101	110	1	222	1230
16:15	30	151	7	1	189	161	86	24	1	272	64	307	150	1	522	4	94	112	0	210	1193
16:30	17	159	7	0	183	175	133	37	3	348	58	332	124	0	514	13	47	124	1	185	1230
16:45	26	198	9	0	233	176	120	42	1	339	54	315	193	0	562	12	87	108	0	207	1341
Total	96	658	29	2	785	678	438	134	7	1257	240	1239	648	1	2128	39	329	454	2	824	4994
17:00	21	172	7	0	200	143	118	39	4	304	54	304	184	0	542	11	84	124	4	223	1269
17:15	16	144	6	0	166	192	140	31	4	367	59	338	184	0	581	9	57	108	1	175	1289
17:30	24	168	3	1	196	127	64	38	2	231	67	288	149	0	504	8	77	139	1	225	1156
17:45	25	130	9	0	164	109	107	34	1	251	72	340	158	3	573	8	75	79	2	164	1152
Total	86	614	25	1	726	571	429	142	11	1153	252	1270	675	3	2200	36	293	450	8	787	4866



MINNESOTA DEPT OF TRANSPORTATION

TRAFFIC DATA COLLECTION - METRO

File Name : TH 169 AT MAIN ST 2006
 Site Code : 00000000
 Start Date : 4/26/2006
 Page No : 2

Groups Printed- Cars & Trucks

	TH 169 Southbound					MAIN ST Westbound					TH 169 Northbound					MAIN ST Eastbound					Int. Total
	LEFT	THRU	RIGHT	Peds	App. Total	LEFT	THRU	RIGHT	Peds	App. Total	LEFT	THRU	RIGHT	Peds	App. Total	LEFT	THRU	RIGHT	Peds	App. Total	
Grand Total	685	6208	188	10	7091	4252	2158	690	47	7147	1808	6651	4595	19	13073	240	2388	3664	34	6326	33637
Apprch %	9.7	87.5	2.7	0.1		59.5	30.2	9.7	0.7		13.8	50.9	35.1	0.1		3.8	37.7	57.9	0.5		
Total %	2	18.5	0.6	0	21.1	12.6	6.4	2.1	0.1	21.2	5.4	19.8	13.7	0.1	38.9	0.7	7.1	10.9	0.1	18.8	

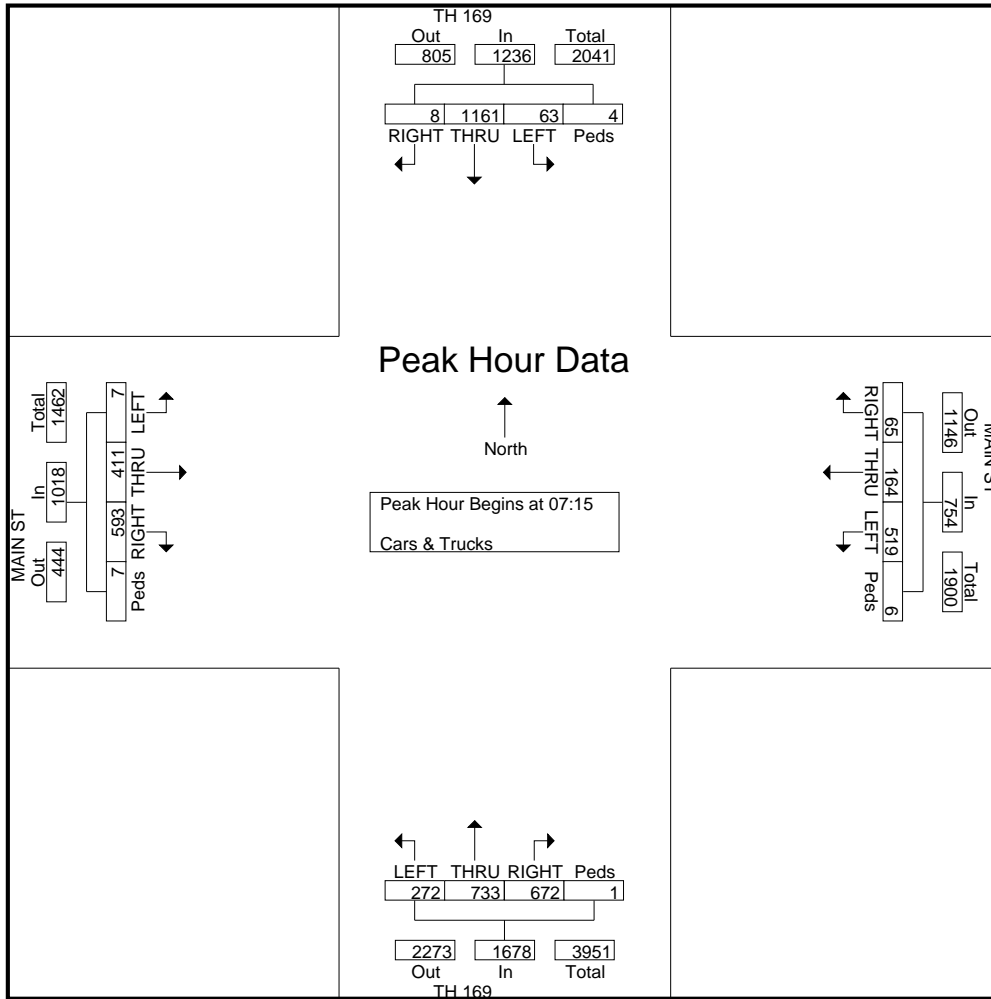


MINNESOTA DEPT OF TRANSPORTATION

TRAFFIC DATA COLLECTION - METRO

File Name : TH 169 AT MAIN ST 2006
 Site Code : 00000000
 Start Date : 4/26/2006
 Page No : 3

Start Time	TH 169 Southbound					MAIN ST Westbound					TH 169 Northbound					MAIN ST Eastbound					Int. Total
	LEFT	THRU	RIGHT	Peds	App. Total	LEFT	THRU	RIGHT	Peds	App. Total	LEFT	THRU	RIGHT	Peds	App. Total	LEFT	THRU	RIGHT	Peds	App. Total	
Peak Hour Analysis From 06:00 to 09:45 - Peak 1 of 1																					
Peak Hour for Entire Intersection Begins at 07:15																					
07:15	11	309	1	0	321	129	20	5	1	155	69	164	177	0	410	0	49	149	0	198	1084
07:30	11	316	2	4	333	151	48	11	2	212	62	205	164	0	431	0	61	157	4	222	1198
07:45	14	255	4	0	273	135	44	15	2	196	90	218	173	0	481	6	154	154	0	314	1264
08:00	27	281	1	0	309	104	52	34	1	191	51	146	158	1	356	1	147	133	3	284	1140
Total Volume	63	1161	8	4	1236	519	164	65	6	754	272	733	672	1	1678	7	411	593	7	1018	4686
% App. Total	5.1	93.9	0.6	0.3		68.8	21.8	8.6	0.8		16.2	43.7	40	0.1		0.7	40.4	58.3	0.7		
PHF	.583	.919	.500	.250	.928	.859	.788	.478	.750	.889	.756	.841	.949	.250	.872	.292	.667	.944	.438	.811	.927



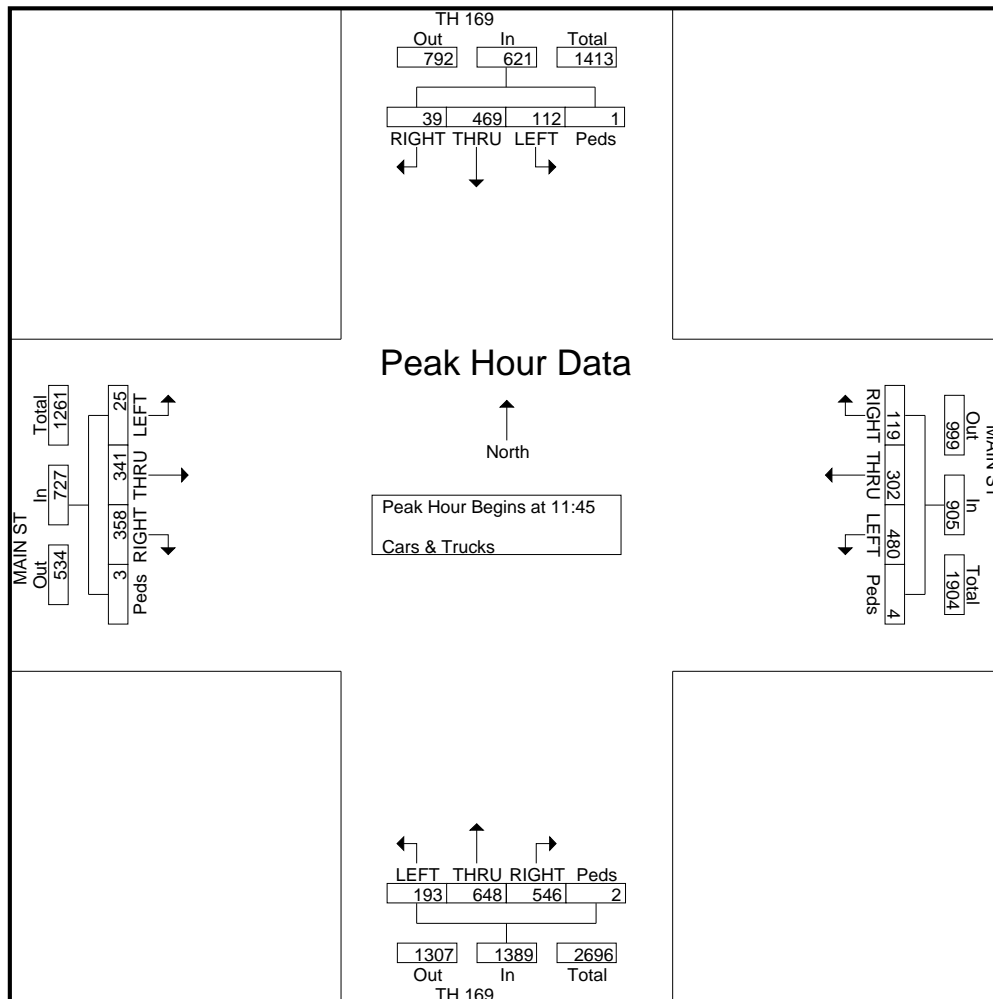


MINNESOTA DEPT OF TRANSPORTATION

TRAFFIC DATA COLLECTION - METRO

File Name : TH 169 AT MAIN ST 2006
 Site Code : 00000000
 Start Date : 4/26/2006
 Page No : 4

Start Time	TH 169 Southbound					MAIN ST Westbound					TH 169 Northbound					MAIN ST Eastbound					Int. Total
	LEFT	THRU	RIGHT	Peds	App. Total	LEFT	THRU	RIGHT	Peds	App. Total	LEFT	THRU	RIGHT	Peds	App. Total	LEFT	THRU	RIGHT	Peds	App. Total	
Peak Hour Analysis From 10:00 to 13:45 - Peak 1 of 1																					
Peak Hour for Entire Intersection Begins at 11:45																					
11:45	23	108	10	0	141	124	75	25	1	225	50	158	140	0	348	6	88	103	3	200	914
12:00	41	95	15	0	151	117	83	35	2	237	44	144	134	0	322	5	111	76	0	192	902
12:15	28	129	7	0	164	123	84	31	0	238	47	168	135	0	350	8	72	96	0	176	928
12:30	20	137	7	1	165	116	60	28	1	205	52	178	137	2	369	6	70	83	0	159	898
Total Volume	112	469	39	1	621	480	302	119	4	905	193	648	546	2	1389	25	341	358	3	727	3642
% App. Total	18	75.5	6.3	0.2		53	33.4	13.1	0.4		13.9	46.7	39.3	0.1		3.4	46.9	49.2	0.4		
PHF	.683	.856	.650	.250	.941	.968	.899	.850	.500	.951	.928	.910	.975	.250	.941	.781	.768	.869	.250	.909	.981





MINNESOTA DEPT OF TRANSPORTATION

TRAFFIC DATA COLLECTION - METRO

File Name : TH 169 AT MAIN ST 2006
 Site Code : 00000000
 Start Date : 4/26/2006
 Page No : 5

Start Time	TH 169 Southbound					MAIN ST Westbound					TH 169 Northbound					MAIN ST Eastbound					Int. Total
	LEFT	THRU	RIGHT	Peds	App. Total	LEFT	THRU	RIGHT	Peds	App. Total	LEFT	THRU	RIGHT	Peds	App. Total	LEFT	THRU	RIGHT	Peds	App. Total	
Peak Hour Analysis From 14:00 to 17:45 - Peak 1 of 1																					
Peak Hour for Entire Intersection Begins at 16:30																					
16:30	17	159	7	0	183	175	133	37	3	348	58	332	124	0	514	13	47	124	1	185	1230
16:45	26	198	9	0	233	176	120	42	1	339	54	315	193	0	562	12	87	108	0	207	1341
17:00	21	172	7	0	200	143	118	39	4	304	54	304	184	0	542	11	84	124	4	223	1269
17:15	16	144	6	0	166	192	140	31	4	367	59	338	184	0	581	9	57	108	1	175	1289
Total Volume	80	673	29	0	782	686	511	149	12	1358	225	1289	685	0	2199	45	275	464	6	790	5129
% App. Total	10.2	86.1	3.7	0		50.5	37.6	11	0.9		10.2	58.6	31.2	0		5.7	34.8	58.7	0.8		
PHF	.769	.850	.806	.000	.839	.893	.913	.887	.750	.925	.953	.953	.887	.000	.946	.865	.790	.935	.375	.886	.956

