

Alliant Engineering, Inc.

733 Marquette Ave #700, Minneapolis, MN 55402

CSAH 101 & TH 212 S Ramp
 Ref Pt: 152+00.838
 data by: Alliant Inc
 TURN MOVEMENT COUNT

File Name : 1736523_CSAH 101 & TH 212 S Ramp
 Site Code : 1736523
 Start Date : 3/6/2019
 Page No : 1

Groups Printed- Cars - Trucks

Start Time	Powers Blvd Southbound					TH 212 S Ramp Westbound					Powers Blvd Northbound					TH 212 S Ramp Eastbound					Int. Total
	Right	Thru	Left	Peds	App. Total	Right	Thru	Left	Peds	App. Total	Right	Thru	Left	Peds	App. Total	Right	Thru	Left	Peds	App. Total	
06:00 AM	9	22	13	0	44	14	18	3	1	36	43	23	1	0	67	2	25	5	0	32	179
06:15 AM	16	27	15	0	58	22	22	4	0	48	42	49	3	0	94	0	19	11	0	30	230
06:30 AM	21	35	21	0	77	15	13	8	0	36	66	46	3	0	115	1	35	9	0	45	273
06:45 AM	26	32	22	0	80	33	23	11	0	67	92	43	3	0	138	2	33	17	0	52	337
Total	72	116	71	0	259	84	76	26	1	187	243	161	10	0	414	5	112	42	0	159	1019
07:00 AM	23	66	24	0	113	47	20	7	0	74	83	68	7	0	158	3	33	18	0	54	399
07:15 AM	20	55	27	0	102	47	26	10	0	83	87	74	4	0	165	3	36	19	0	58	408
07:30 AM	27	69	21	0	117	72	29	17	0	118	87	109	2	0	198	6	39	26	0	71	504
07:45 AM	34	84	8	0	126	57	19	10	1	87	80	97	5	1	183	6	39	21	0	66	462
Total	104	274	80	0	458	223	94	44	1	362	337	348	18	1	704	18	147	84	0	249	1773
08:00 AM	24	64	23	0	111	33	17	7	0	57	65	87	2	0	154	8	36	16	0	60	382
08:15 AM	27	75	20	0	122	36	19	5	0	60	63	64	1	0	128	9	25	15	0	49	359
08:30 AM	29	52	16	0	97	28	11	1	0	40	65	60	3	0	128	6	33	20	0	59	324
08:45 AM	23	55	25	0	103	38	19	1	0	58	44	66	6	0	116	6	22	15	0	43	320
Total	103	246	84	0	433	135	66	14	0	215	237	277	12	0	526	29	116	66	0	211	1385
09:00 AM	26	47	25	0	98	42	9	3	0	54	37	49	2	0	88	8	31	14	0	53	293
09:15 AM	21	41	17	0	79	27	6	1	0	34	33	55	3	0	91	4	25	9	0	38	242
09:30 AM	25	40	14	0	79	20	11	3	0	34	38	54	2	0	94	0	22	9	0	31	238
09:45 AM	18	33	11	0	62	18	6	2	0	26	21	43	4	0	68	4	17	16	0	37	193
Total	90	161	67	0	318	107	32	9	0	148	129	201	11	0	341	16	95	48	0	159	966
10:00 AM	24	42	12	0	78	15	10	1	0	26	15	34	2	0	51	5	14	7	0	26	181
10:15 AM	13	32	12	0	57	18	6	3	0	27	31	36	3	0	70	4	14	13	0	31	185
10:30 AM	19	62	17	0	98	20	5	3	0	28	17	35	2	0	54	1	12	11	0	24	204
10:45 AM	23	48	31	0	102	15	8	1	1	25	34	46	3	1	84	3	20	10	0	33	244
Total	79	184	72	0	335	68	29	8	1	106	97	151	10	1	259	13	60	41	0	114	814
11:00 AM	28	51	10	0	89	16	11	0	0	27	25	33	2	0	60	5	12	7	0	24	200
11:15 AM	36	29	12	0	77	23	7	3	0	33	26	53	0	0	79	5	17	15	0	37	226
11:30 AM	45	60	20	0	125	12	6	1	0	19	37	41	1	0	79	0	22	18	0	40	263
11:45 AM	39	52	22	0	113	21	2	1	0	24	26	47	3	0	76	5	21	15	0	41	254
Total	148	192	64	0	404	72	26	5	0	103	114	174	6	0	294	15	72	55	0	142	943
12:00 PM	34	65	14	0	113	11	6	2	0	19	30	38	4	0	72	5	15	23	0	43	247
12:15 PM	25	55	19	0	99	11	16	1	0	28	24	44	5	0	73	4	24	17	0	45	245
12:30 PM	33	67	17	0	117	9	1	0	0	10	27	56	3	0	86	4	16	23	0	43	256
12:45 PM	22	58	18	0	98	20	6	3	0	29	25	55	1	0	81	2	10	15	0	27	235
Total	114	245	68	0	427	51	29	6	0	86	106	193	13	0	312	15	65	78	0	158	983
01:00 PM	35	58	16	0	109	20	5	2	0	27	33	33	5	0	71	1	16	18	0	35	242
01:15 PM	39	68	13	0	120	8	8	2	0	18	29	48	2	0	79	7	24	12	0	43	260
01:30 PM	20	54	23	0	97	13	6	2	0	21	22	34	1	0	57	7	6	18	0	31	206
01:45 PM	31	55	22	0	108	21	10	0	0	31	31	46	1	0	78	5	14	13	0	32	249
Total	125	235	74	0	434	62	29	6	0	97	115	161	9	0	285	20	60	61	0	141	957
02:00 PM	27	79	20	0	126	23	9	1	0	33	28	45	4	0	77	2	17	16	0	35	271
02:15 PM	29	63	9	0	101	21	4	2	1	28	31	51	1	1	84	6	11	20	0	37	250
02:30 PM	38	102	37	0	177	16	8	1	0	25	31	46	2	0	79	2	15	18	0	35	316
02:45 PM	42	65	19	0	126	17	6	3	0	26	31	49	4	0	84	5	20	28	0	53	289
Total	136	309	85	0	530	77	27	7	1	112	121	191	11	1	324	15	63	82	0	160	1126
03:00 PM	32	103	61	0	196	20	4	3	0	27	31	48	2	0	81	6	17	31	0	54	358
03:15 PM	42	101	30	0	173	16	6	3	0	25	48	46	1	0	95	7	12	23	0	42	335
03:30 PM	41	102	29	0	172	22	7	0	0	29	36	52	3	0	91	4	16	16	0	36	328

Alliant Engineering, Inc.

733 Marquette Ave #700, Minneapolis, MN 55402

CSAH 101 & TH 212 S Ramp
 Ref Pt: 152+00.838
 data by: Alliant Inc
 TURN MOVEMENT COUNT

File Name : 1736523_CSAH 101 & TH 212 S Ramp
 Site Code : 1736523
 Start Date : 3/6/2019
 Page No : 2

Groups Printed- Cars - Trucks

Start Time	Powers Blvd Southbound					TH 212 S Ramp Westbound					Powers Blvd Northbound					TH 212 S Ramp Eastbound					Int. Total
	Right	Thru	Left	Peds	App. Total	Right	Thru	Left	Peds	App. Total	Right	Thru	Left	Peds	App. Total	Right	Thru	Left	Peds	App. Total	
03:45 PM	40	135	22	0	197	42	5	2	0	49	34	68	3	0	105	11	16	16	0	43	394
Total	155	441	142	0	738	100	22	8	0	130	149	214	9	0	372	28	61	86	0	175	1415
04:00 PM	40	130	33	0	203	30	5	3	0	38	60	63	2	0	125	4	18	20	0	42	408
04:15 PM	42	152	15	0	209	36	8	2	0	46	49	83	6	0	138	15	21	22	0	58	451
04:30 PM	35	139	27	0	201	33	7	5	0	45	41	66	3	0	110	6	18	26	0	50	406
04:45 PM	45	148	28	0	221	29	4	2	0	35	39	93	3	0	135	16	16	25	0	57	448
Total	162	569	103	0	834	128	24	12	0	164	189	305	14	0	508	41	73	93	0	207	1713
05:00 PM	50	148	29	0	227	46	6	5	0	57	36	93	8	0	137	11	13	24	0	48	469
05:15 PM	43	151	32	0	226	27	5	1	0	33	42	87	5	0	134	5	21	20	0	46	439
05:30 PM	38	132	17	0	187	21	5	0	0	26	41	71	3	0	115	14	11	22	0	47	375
05:45 PM	40	136	16	0	192	16	8	1	0	25	31	78	5	0	114	7	23	15	0	45	376
Total	171	567	94	0	832	110	24	7	0	141	150	329	21	0	500	37	68	81	0	186	1659
06:00 PM	35	114	27	0	176	16	9	1	0	26	46	43	4	0	93	7	15	22	0	44	339
06:15 PM	44	110	24	0	178	23	1	1	0	25	24	48	6	0	78	3	19	27	0	49	330
06:30 PM	32	90	29	0	151	36	3	5	0	44	21	44	4	0	69	5	14	19	0	38	302
06:45 PM	21	63	16	0	100	26	2	2	0	30	18	66	1	0	85	5	7	18	0	30	245
Total	132	377	96	0	605	101	15	9	0	125	109	201	15	0	325	20	55	86	0	161	1216
Grand Total	1591	3916	1100	0	6607	1318	493	161	4	1976	2096	2906	159	3	5164	272	1047	903	0	2222	15969
Apprch %	24.1	59.3	16.6	0		66.7	24.9	8.1	0.2		40.6	56.3	3.1	0.1		12.2	47.1	40.6	0		
Total %	10	24.5	6.9	0	41.4	8.3	3.1	1	0	12.4	13.1	18.2	1	0	32.3	1.7	6.6	5.7	0	13.9	
Cars	1560	3808	1050	0	6418	1273	476	131	4	1884	2023	2796	155	3	4977	266	986	888	0	2140	15419
% Cars	98.1	97.2	95.5	0	97.1	96.6	96.6	81.4	100	95.3	96.5	96.2	97.5	100	96.4	97.8	94.2	98.3	0	96.3	96.6
Trucks	31	108	50	0	189	45	17	30	0	92	73	110	4	0	187	6	61	15	0	82	550
% Trucks	1.9	2.8	4.5	0	2.9	3.4	3.4	18.6	0	4.7	3.5	3.8	2.5	0	3.6	2.2	5.8	1.7	0	3.7	3.4

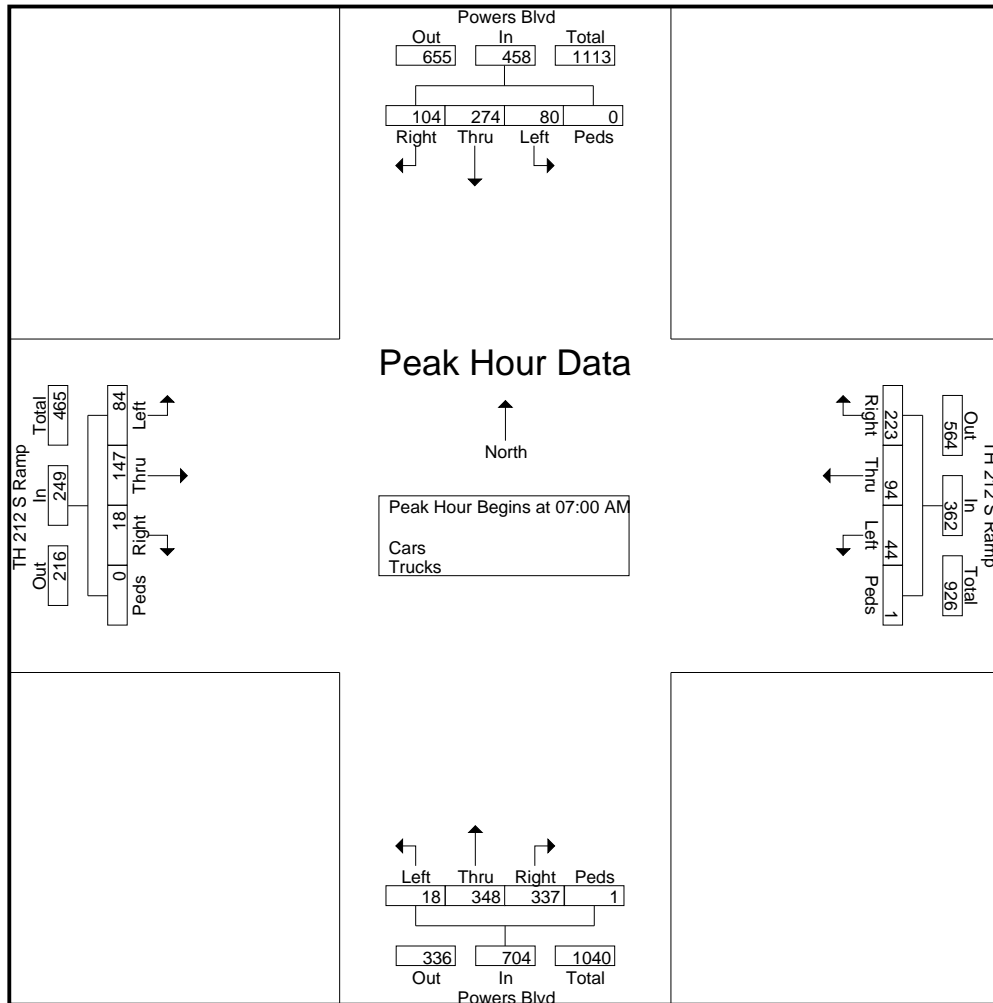
Alliant Engineering, Inc.

733 Marquette Ave #700, Minneapolis, MN 55402

CSAH 101 & TH 212 S Ramp
 Ref Pt: 152+00.838
 data by: Alliant Inc
 TURN MOVEMENT COUNT

File Name : 1736523_CSAH 101 & TH 212 S Ramp
 Site Code : 1736523
 Start Date : 3/6/2019
 Page No : 3

Start Time	Powers Blvd Southbound					TH 212 S Ramp Westbound					Powers Blvd Northbound					TH 212 S Ramp Eastbound					Int. Total
	Right	Thru	Left	Peds	App. Total	Right	Thru	Left	Peds	App. Total	Right	Thru	Left	Peds	App. Total	Right	Thru	Left	Peds	App. Total	
Peak Hour Analysis From 06:00 AM to 09:45 AM - Peak 1 of 1																					
Peak Hour for Entire Intersection Begins at 07:00 AM																					
07:00 AM	23	66	24	0	113	47	20	7	0	74	83	68	7	0	158	3	33	18	0	54	399
07:15 AM	20	55	27	0	102	47	26	10	0	83	87	74	4	0	165	3	36	19	0	58	408
07:30 AM	27	69	21	0	117	72	29	17	0	118	87	109	2	0	198	6	39	26	0	71	504
07:45 AM	34	84	8	0	126	57	19	10	1	87	80	97	5	1	183	6	39	21	0	66	462
Total Volume	104	274	80	0	458	223	94	44	1	362	337	348	18	1	704	18	147	84	0	249	1773
% App. Total	22.7	59.8	17.5	0		61.6	26	12.2	0.3		47.9	49.4	2.6	0.1		7.2	59	33.7	0		
PHF	.765	.815	.741	.000	.909	.774	.810	.647	.250	.767	.968	.798	.643	.250	.889	.750	.942	.808	.000	.877	.879



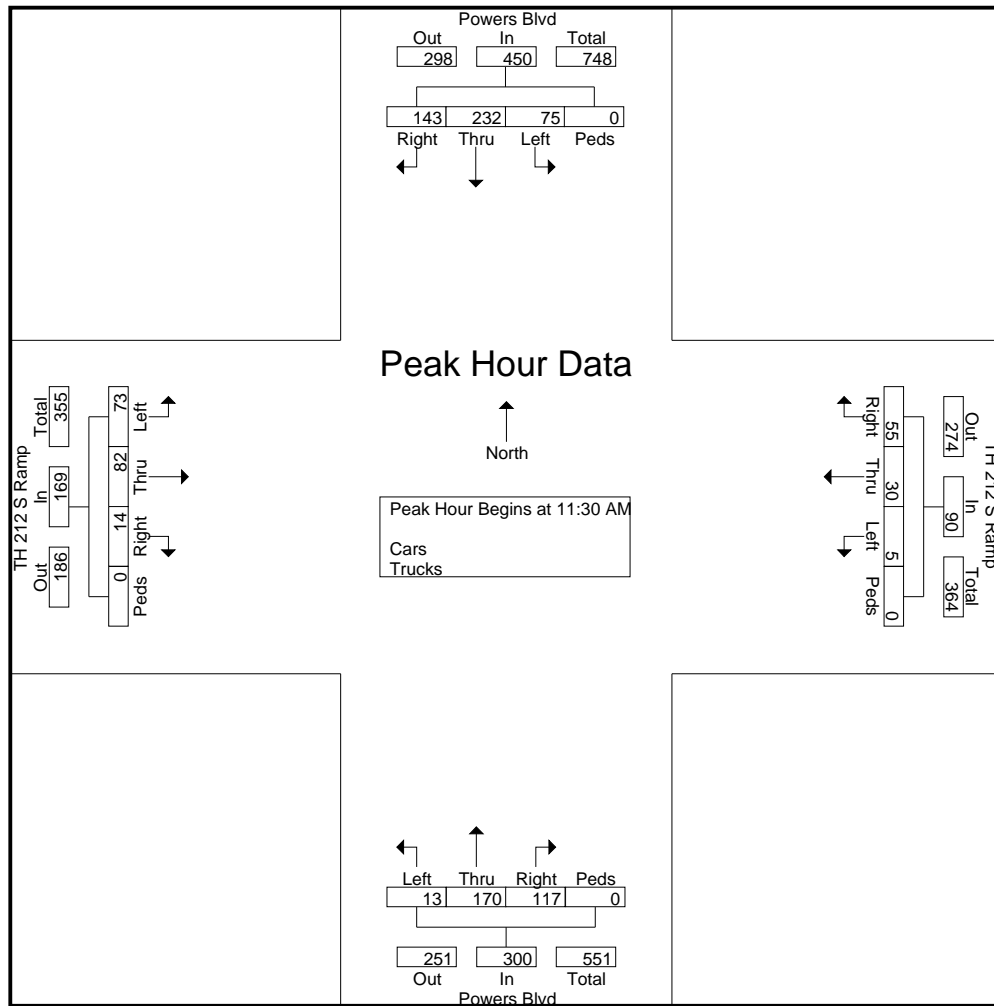
Alliant Engineering, Inc.

733 Marquette Ave #700, Minneapolis, MN 55402

CSAH 101 & TH 212 S Ramp
 Ref Pt: 152+00.838
 data by: Alliant Inc
 TURN MOVEMENT COUNT

File Name : 1736523_CSAH 101 & TH 212 S Ramp
 Site Code : 1736523
 Start Date : 3/6/2019
 Page No : 4

Start Time	Powers Blvd Southbound					TH 212 S Ramp Westbound					Powers Blvd Northbound					TH 212 S Ramp Eastbound					Int. Total
	Right	Thru	Left	Peds	App. Total	Right	Thru	Left	Peds	App. Total	Right	Thru	Left	Peds	App. Total	Right	Thru	Left	Peds	App. Total	
Peak Hour Analysis From 10:00 AM to 01:45 PM - Peak 1 of 1																					
Peak Hour for Entire Intersection Begins at 11:30 AM																					
11:30 AM	45	60	20	0	125	12	6	1	0	19	37	41	1	0	79	0	22	18	0	40	263
11:45 AM	39	52	22	0	113	21	2	1	0	24	26	47	3	0	76	5	21	15	0	41	254
12:00 PM	34	65	14	0	113	11	6	2	0	19	30	38	4	0	72	5	15	23	0	43	247
12:15 PM	25	55	19	0	99	11	16	1	0	28	24	44	5	0	73	4	24	17	0	45	245
Total Volume	143	232	75	0	450	55	30	5	0	90	117	170	13	0	300	14	82	73	0	169	1009
% App. Total	31.8	51.6	16.7	0		61.1	33.3	5.6	0		39	56.7	4.3	0		8.3	48.5	43.2	0		
PHF	.794	.892	.852	.000	.900	.655	.469	.625	.000	.804	.791	.904	.650	.000	.949	.700	.854	.793	.000	.939	.959



Alliant Engineering, Inc.

733 Marquette Ave #700, Minneapolis, MN 55402

CSAH 101 & TH 212 S Ramp
 Ref Pt: 152+00.838
 data by: Alliant Inc
 TURN MOVEMENT COUNT

File Name : 1736523_CSAH 101 & TH 212 S Ramp
 Site Code : 1736523
 Start Date : 3/6/2019
 Page No : 5

Start Time	Powers Blvd Southbound					TH 212 S Ramp Westbound					Powers Blvd Northbound					TH 212 S Ramp Eastbound					Int. Total
	Right	Thru	Left	Peds	App. Total	Right	Thru	Left	Peds	App. Total	Right	Thru	Left	Peds	App. Total	Right	Thru	Left	Peds	App. Total	
Peak Hour Analysis From 02:00 PM to 05:45 PM - Peak 1 of 1																					
Peak Hour for Entire Intersection Begins at 04:15 PM																					
04:15 PM	42	152	15	0	209	36	8	2	0	46	49	83	6	0	138	15	21	22	0	58	451
04:30 PM	35	139	27	0	201	33	7	5	0	45	41	66	3	0	110	6	18	26	0	50	406
04:45 PM	45	148	28	0	221	29	4	2	0	35	39	93	3	0	135	16	16	25	0	57	448
05:00 PM	50	148	29	0	227	46	6	5	0	57	36	93	8	0	137	11	13	24	0	48	469
Total Volume	172	587	99	0	858	144	25	14	0	183	165	335	20	0	520	48	68	97	0	213	1774
% App. Total	20	68.4	11.5	0		78.7	13.7	7.7	0		31.7	64.4	3.8	0		22.5	31.9	45.5	0		
PHF	.860	.965	.853	.000	.945	.783	.781	.700	.000	.803	.842	.901	.625	.000	.942	.750	.810	.933	.000	.918	.946

