

Alliant Engineering Inc Minneapolis, MN 55415

Prairie Center Drive at Preserve Blvd
Eden Prairie
data by: Alliant Engineering
TURN MOVEMENT COUNT

File Name : 19_Prairie Center Drive at Preserve Blvd
Site Code : 00000019
Start Date : 12/2/2009
Page No : 1

Groups Printed- Unshifted - Bank 1

Start Time	mall entrance Southbound				Prairie Center Drive Westbound				Preserve Boulevard Northbound				Prairie Center Drive Eastbound				Int. Total
	Left	Thru	Right	Peds	Left	Thru	Right	Peds	Left	Thru	Right	Peds	Left	Thru	Right	Peds	
06:30	1	4	1	1	9	21	3	0	26	7	82	0	4	33	7	0	199
06:45	3	1	2	0	10	29	5	0	38	13	108	0	6	46	3	0	264
Total	4	5	3	1	19	50	8	0	64	20	190	0	10	79	10	0	463
07:00	5	5	2	0	11	22	7	0	40	14	121	0	2	68	15	0	312
07:15	7	2	0	0	14	34	4	1	48	6	147	0	2	94	13	0	372
07:30	4	2	5	0	12	30	4	0	55	17	162	1	2	77	14	0	385
07:45	8	3	0	0	19	36	3	0	51	14	202	0	9	123	14	0	482
Total	24	12	7	0	56	122	18	1	194	51	632	1	15	362	56	0	1551
08:00	4	2	3	0	13	34	4	0	33	15	155	0	4	80	6	0	353
08:15	2	1	1	0	15	36	4	1	56	7	163	0	6	72	6	1	371
08:30	8	8	2	1	16	41	6	0	39	14	120	0	7	59	14	0	335
08:45	4	8	0	0	17	32	5	0	46	29	103	0	11	73	13	0	341
Total	18	19	6	1	61	143	19	1	174	65	541	0	28	284	39	1	1400
09:00	5	9	3	0	18	45	8	0	31	8	86	0	10	57	19	0	299
09:15	3	4	3	0	17	38	10	0	22	23	71	1	12	51	14	1	270
*** BREAK ***																	
Total	8	13	6	0	35	83	18	0	53	31	157	1	22	108	33	1	569
*** BREAK ***																	
10:30	6	10	25	0	26	54	15	1	37	26	47	0	30	54	12	0	343
10:45	6	11	20	0	47	57	9	0	29	38	42	0	25	70	26	0	380
Total	12	21	45	0	73	111	24	1	66	64	89	0	55	124	38	0	723
11:00	7	16	22	0	36	88	22	0	42	18	47	0	30	56	26	0	410
11:15	16	15	33	1	29	105	28	1	38	32	45	0	34	83	31	2	493
11:30	17	18	24	0	43	131	36	0	41	30	42	0	41	79	28	0	530
11:45	29	15	34	0	63	146	41	0	35	47	39	0	39	110	40	0	638
Total	69	64	113	1	171	470	127	1	156	127	173	0	144	328	125	2	2071
12:00	34	13	38	0	55	142	38	1	46	30	41	1	47	118	30	0	634
12:15	42	20	45	0	38	139	31	1	40	40	41	0	43	110	30	0	620
12:30	47	24	39	0	52	120	31	0	44	35	50	0	45	121	34	1	643
12:45	36	23	33	0	45	109	28	0	38	33	50	0	41	143	29	0	608
Total	159	80	155	0	190	510	128	2	168	138	182	1	176	492	123	1	2505
13:00	28	27	39	0	54	101	25	0	43	39	66	0	26	115	32	0	595
13:15	21	20	48	0	24	83	23	0	47	33	49	0	46	75	31	1	501
*** BREAK ***																	
Total	49	47	87	0	78	184	48	0	90	72	115	0	72	190	63	1	1096
*** BREAK ***																	
14:30	16	31	32	0	45	71	14	2	28	31	32	0	18	70	45	1	436
14:45	14	37	39	0	50	45	18	0	36	21	49	0	26	46	52	0	433
Total	30	68	71	0	95	116	32	2	64	52	81	0	44	116	97	1	869
15:00	9	32	34	0	44	61	12	0	35	21	42	0	15	59	53	2	419
15:15	12	45	44	1	66	71	16	0	25	30	56	0	28	50	47	2	493
15:30	6	30	35	0	78	79	11	1	35	27	39	2	19	55	47	0	464
15:45	11	39	22	0	80	69	11	1	35	24	43	0	25	62	52	0	474
Total	38	146	135	1	268	280	50	2	130	102	180	2	87	226	199	4	1850
16:00	12	34	39	0	90	104	6	1	32	36	42	0	28	49	64	0	537
16:15	9	52	31	0	98	94	20	4	43	53	43	0	29	52	71	1	600
16:30	15	46	35	0	164	136	15	0	35	27	40	0	25	51	80	0	669
16:45	17	44	33	0	152	122	17	0	34	27	39	0	32	66	70	0	653
Total	53	176	138	0	504	456	58	5	144	143	164	0	114	218	285	1	2459

Alliant Engineering Inc

Minneapolis, MN 55415

Prairie Center Drive at Preserve Blvd
 Eden Prairie
 data by: Alliant Engineering
 TURN MOVEMENT COUNT

File Name : 19_Prairie Center Drive at Preserve Blvd
 Site Code : 00000019
 Start Date : 12/2/2009
 Page No : 2

Groups Printed- Unshifted - Bank 1

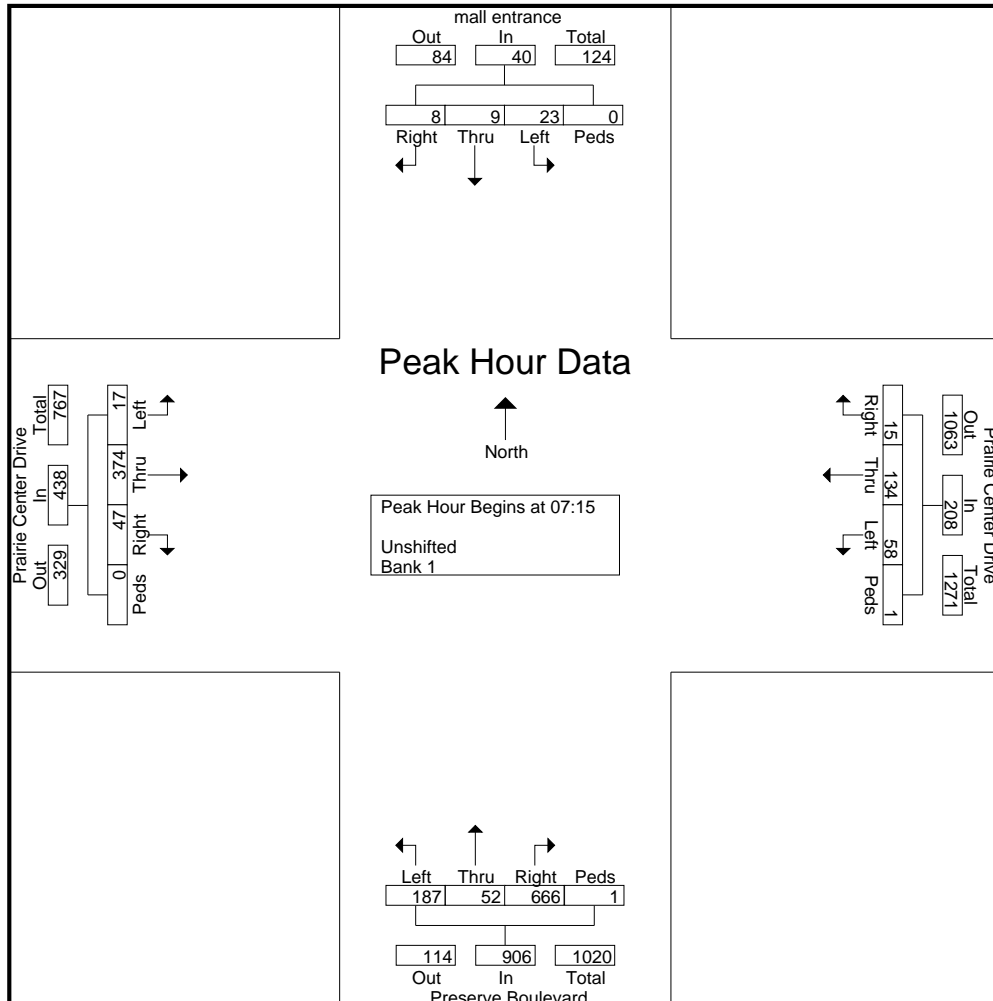
Start Time	mall entrance Southbound				Prairie Center Drive Westbound				Preserve Boulevard Northbound				Prairie Center Drive Eastbound				Int. Total
	Left	Thru	Right	Peds	Left	Thru	Right	Peds	Left	Thru	Right	Peds	Left	Thru	Right	Peds	
17:00	3	64	24	0	156	156	24	1	40	39	40	0	30	63	102	2	744
17:15	14	36	37	0	157	118	15	0	54	41	40	0	46	74	97	0	729
17:30	17	76	29	0	187	138	20	1	38	28	36	0	26	61	71	0	728
17:45	11	44	34	0	133	135	20	1	36	36	34	0	36	65	72	0	657
Total	45	220	124	0	633	547	79	3	168	144	150	0	138	263	342	2	2858
18:00	12	31	36	3	105	93	26	3	38	30	41	0	17	64	55	0	554
18:15	7	29	30	3	107	97	15	0	37	32	41	0	21	57	46	0	522
18:30	14	47	43	1	88	83	20	0	45	32	30	0	18	52	40	0	513
18:45	7	36	37	0	52	56	19	0	37	32	34	0	21	65	49	0	445
Total	40	143	146	7	352	329	80	3	157	126	146	0	77	238	190	0	2034
Grand Total	549	1014	1036	11	2535	3401	689	21	1628	1135	2800	5	982	3028	1600	14	20448
Apprch %	21	38.9	39.7	0.4	38.1	51.2	10.4	0.3	29.2	20.4	50.3	0.1	17.5	53.8	28.4	0.2	
Total %	2.7	5	5.1	0.1	12.4	16.6	3.4	0.1	8	5.6	13.7	0	4.8	14.8	7.8	0.1	
Unshifted	543	1011	1032	11	2523	3354	681	21	1621	1131	2774	5	981	3013	1594	14	20309
% Unshifted	98.9	99.7	99.6	100	99.5	98.6	98.8	100	99.6	99.6	99.1	100	99.9	99.5	99.6	100	99.3
Bank 1	6	3	4	0	12	47	8	0	7	4	26	0	1	15	6	0	139
% Bank 1	1.1	0.3	0.4	0	0.5	1.4	1.2	0	0.4	0.4	0.9	0	0.1	0.5	0.4	0	0.7

Alliant Engineering Inc Minneapolis, MN 55415

Prairie Center Drive at Preserve Blvd
Eden Prairie
data by: Alliant Engineering
TURN MOVEMENT COUNT

File Name : 19_Prairie Center Drive at Preserve Blvd
Site Code : 00000019
Start Date : 12/2/2009
Page No : 3

Start Time	mall entrance Southbound					Prairie Center Drive Westbound					Preserve Boulevard Northbound					Prairie Center Drive Eastbound					Int. Total
	Left	Thru	Right	Peds	App. Total	Left	Thru	Right	Peds	App. Total	Left	Thru	Right	Peds	App. Total	Left	Thru	Right	Peds	App. Total	
Peak Hour Analysis From 06:30 to 09:15 - Peak 1 of 1																					
Peak Hour for Entire Intersection Begins at 07:15																					
07:15	7	2	0	0	9	14	34	4	1	53	48	6	147	0	201	2	94	13	0	109	372
07:30	4	2	5	0	11	12	30	4	0	46	55	17	162	1	235	2	77	14	0	93	385
07:45	8	3	0	0	11	19	36	3	0	58	51	14	202	0	267	9	123	14	0	146	482
08:00	4	2	3	0	9	13	34	4	0	51	33	15	155	0	203	4	80	6	0	90	353
Total Volume	23	9	8	0	40	58	134	15	1	208	187	52	666	1	906	17	374	47	0	438	1592
% App. Total	57.5	22.5	20	0		27.9	64.4	7.2	0.5		20.6	5.7	73.5	0.1		3.9	85.4	10.7	0		
PHF	.719	.750	.400	.000	.909	.763	.931	.938	.250	.897	.850	.765	.824	.250	.848	.472	.760	.839	.000	.750	.826



Alliant Engineering Inc Minneapolis, MN 55415

Prairie Center Drive at Preserve Blvd
Eden Prairie
data by: Alliant Engineering
TURN MOVEMENT COUNT

File Name : 19_Prairie Center Drive at Preserve Blvd
Site Code : 00000019
Start Date : 12/2/2009
Page No : 4

Start Time	mall entrance Southbound					Prairie Center Drive Westbound					Preserve Boulevard Northbound					Prairie Center Drive Eastbound					Int. Total
	Left	Thru	Right	Peds	App. Total	Left	Thru	Right	Peds	App. Total	Left	Thru	Right	Peds	App. Total	Left	Thru	Right	Peds	App. Total	
Peak Hour Analysis From 14:30 to 18:45 - Peak 1 of 1																					
Peak Hour for Entire Intersection Begins at 17:00																					
17:00	3	64	24	0	91	156	156	24	1	337	40	39	40	0	119	30	63	102	2	197	744
17:15	14	36	37	0	87	157	118	15	0	290	54	41	40	0	135	46	74	97	0	217	729
17:30	17	76	29	0	122	187	138	20	1	346	38	28	36	0	102	26	61	71	0	158	728
17:45	11	44	34	0	89	133	135	20	1	289	36	36	34	0	106	36	65	72	0	173	657
Total Volume	45	220	124	0	389	633	547	79	3	1262	168	144	150	0	462	138	263	342	2	745	2858
% App. Total	11.6	56.6	31.9	0		50.2	43.3	6.3	0.2		36.4	31.2	32.5	0		18.5	35.3	45.9	0.3		
PHF	.662	.724	.838	.000	.797	.846	.877	.823	.750	.912	.778	.878	.938	.000	.856	.750	.889	.838	.250	.858	.960

