

Associated Consulting Services (ACS)

Saint Paul, MN 55127

-- TRAFFIC DATA --

TH-36 at English St (N.ramp)_2019

File Name : TH-36 at English St (N.ramp)_2019

Ref Pt: 007+00.275

Site Code :

Data Prepared By: ACS

Start Date : 7/23/2019

TURNING MOVEMENT COUNT

Page No : 1

Groups Printed- Cars - Trucks

Start Time	English St Southbound				TH-36 WB off ramp Westbound				English St Northbound				TH- 36 WB on ramp Eastbound				Int. Total
	Left	Thru	Right	Peds	Left	Thru	Right	Peds	Left	Thru	Right	Peds	Left	Thru	Right	Peds	
06:00	0	2	12	0	15	0	4	0	79	16	0	0	0	0	0	0	128
06:15	0	15	13	0	22	0	3	0	100	17	0	0	0	0	0	0	170
06:30	0	10	16	0	19	0	9	0	129	33	0	0	0	0	0	0	216
06:45	0	7	20	0	11	0	15	0	103	40	0	0	0	0	0	0	196
Total	0	34	61	0	67	0	31	0	411	106	0	0	0	0	0	0	710
07:00	0	10	27	0	19	0	15	0	114	23	0	0	0	0	0	1	209
07:15	0	14	20	0	23	0	6	0	100	35	0	0	0	0	0	2	200
07:30	0	14	22	0	21	0	11	0	117	30	0	0	0	0	0	0	215
07:45	0	14	17	0	35	0	10	0	90	36	0	0	0	0	0	0	202
Total	0	52	86	0	98	0	42	0	421	124	0	0	0	0	0	3	826
08:00	0	19	27	0	23	0	12	0	85	33	0	0	0	0	0	0	199
08:15	0	10	20	0	27	0	5	0	85	33	0	0	0	0	0	1	181
08:30	0	24	18	0	35	0	6	1	83	32	0	0	0	0	0	3	202
08:45	0	21	17	0	27	0	14	0	88	32	0	0	0	0	0	0	199
Total	0	74	82	0	112	0	37	1	341	130	0	0	0	0	0	4	781
09:00	0	19	19	0	23	0	5	0	83	25	0	0	0	0	0	0	174
09:15	0	23	20	0	18	0	8	0	81	28	0	0	0	0	0	0	178
09:30	0	15	21	0	21	0	1	0	80	23	0	0	0	0	0	0	161
09:45	0	18	10	0	20	0	8	1	57	38	0	0	0	0	0	0	152
Total	0	75	70	0	82	0	22	1	301	114	0	0	0	0	0	0	665
10:00	0	16	13	0	21	1	4	0	57	29	0	0	0	0	0	0	141
10:15	0	12	17	0	17	0	4	0	69	27	0	0	0	0	0	0	146
10:30	0	20	18	0	23	0	7	0	69	23	0	0	0	0	0	0	160
10:45	0	17	16	0	32	1	8	0	69	30	0	0	0	0	0	1	174
Total	0	65	64	0	93	2	23	0	264	109	0	0	0	0	0	1	621
11:00	0	25	22	0	28	2	5	0	51	18	0	0	0	0	0	2	153
11:15	0	25	31	0	29	0	9	0	70	29	0	0	0	0	0	0	193
11:30	0	25	25	0	22	1	3	0	64	43	0	0	0	0	0	0	183
11:45	0	14	16	0	48	0	5	0	71	38	0	0	0	0	0	0	192
Total	0	89	94	0	127	3	22	0	256	128	0	0	0	0	0	2	721
12:00	0	25	25	0	29	0	5	0	85	31	0	0	0	0	0	0	200
12:15	0	18	19	0	26	1	7	0	68	43	0	0	0	0	0	0	182
12:30	0	14	17	0	33	0	10	0	74	29	0	0	0	0	0	0	177
12:45	0	20	22	0	30	0	7	1	59	44	0	0	0	0	0	0	183
Total	0	77	83	0	118	1	29	1	286	147	0	0	0	0	0	0	742
13:00	0	21	15	0	28	0	4	0	90	45	0	0	0	0	0	0	203
13:15	0	28	33	0	23	0	6	0	76	36	0	0	0	0	0	0	202
13:30	0	27	20	0	28	0	3	0	108	37	0	0	0	0	0	2	225
13:45	0	19	22	0	40	1	3	0	86	35	0	0	0	0	0	1	207
Total	0	95	90	0	119	1	16	0	360	153	0	0	0	0	0	3	837
14:00	0	19	24	0	37	0	6	0	99	33	0	0	0	0	0	0	218
14:15	0	31	25	0	23	0	4	1	87	36	0	0	0	0	0	0	207
14:30	0	25	37	0	38	2	14	0	110	35	0	0	0	0	0	0	261

Associated Consulting Services (ACS)

Saint Paul, MN 55127

-- TRAFFIC DATA --

TH-36 at English St (N.ramp)_2019

File Name : TH-36 at English St (N.ramp)_2019

Ref Pt: 007+00.275

Site Code :

Data Prepared By: ACS

Start Date : 7/23/2019

TURNING MOVEMENT COUNT

Page No : 2

Groups Printed- Cars - Trucks

Start Time	English St Southbound				TH-36 WB off ramp Westbound				English St Northbound				TH- 36 WB on ramp Eastbound				Int. Total
	Left	Thru	Right	Peds	Left	Thru	Right	Peds	Left	Thru	Right	Peds	Left	Thru	Right	Peds	
14:45	0	26	27	0	41	1	9	0	97	37	0	0	0	0	0	0	238
Total	0	101	113	0	139	3	33	1	393	141	0	0	0	0	0	0	924
15:00	0	20	31	0	27	0	6	0	78	30	0	0	0	0	0	1	193
15:15	0	27	31	0	23	0	5	0	83	27	0	0	0	0	0	0	196
15:30	0	28	35	0	43	0	5	0	93	27	0	0	0	0	0	0	231
15:45	0	29	30	0	39	0	7	0	82	28	0	0	0	0	0	0	215
Total	0	104	127	0	132	0	23	0	336	112	0	0	0	0	0	1	835
16:00	0	32	38	0	31	0	3	0	97	28	0	0	0	0	0	0	229
16:15	0	28	34	0	33	0	4	0	92	23	0	0	0	0	0	1	215
16:30	0	28	32	0	38	0	1	0	101	28	0	0	0	0	0	0	228
16:45	0	31	24	0	19	0	6	0	94	34	0	0	0	0	0	3	211
Total	0	119	128	0	121	0	14	0	384	113	0	0	0	0	0	4	883
17:00	0	36	37	0	31	1	7	0	111	27	0	0	0	0	0	3	253
17:15	0	16	30	0	23	1	3	0	114	37	0	0	0	0	0	0	224
17:30	0	17	18	0	20	0	1	0	99	24	0	0	0	0	0	1	180
17:45	0	11	22	0	32	0	4	0	83	28	0	0	0	0	0	1	181
Total	0	80	107	0	106	2	15	0	407	116	0	0	0	0	0	5	838
Grand Total	0	965	1105	0	1314	12	307	4	4160	1493	0	0	0	0	0	23	9383
Apprch %	0	46.6	53.4	0	80.3	0.7	18.8	0.2	73.6	26.4	0	0	0	0	0	100	
Total %	0	10.3	11.8	0	14	0.1	3.3	0	44.3	15.9	0	0	0	0	0	0.2	
Cars	0	893	999	0	1271	12	275	4	4065	1370	0	0	0	0	0	23	8912
% Cars	0	92.5	90.4	0	96.7	100	89.6	100	97.7	91.8	0	0	0	0	0	100	95
Trucks	0	72	106	0	43	0	32	0	95	123	0	0	0	0	0	0	471
% Trucks	0	7.5	9.6	0	3.3	0	10.4	0	2.3	8.2	0	0	0	0	0	0	5

Associated Consulting Services (ACS)

Saint Paul, MN 55127

-- TRAFFIC DATA --

TH-36 at English St (N.ramp)_2019

Ref Pt: 007+00.275

Data Prepared By: ACS

TURNING MOVEMENT COUNT

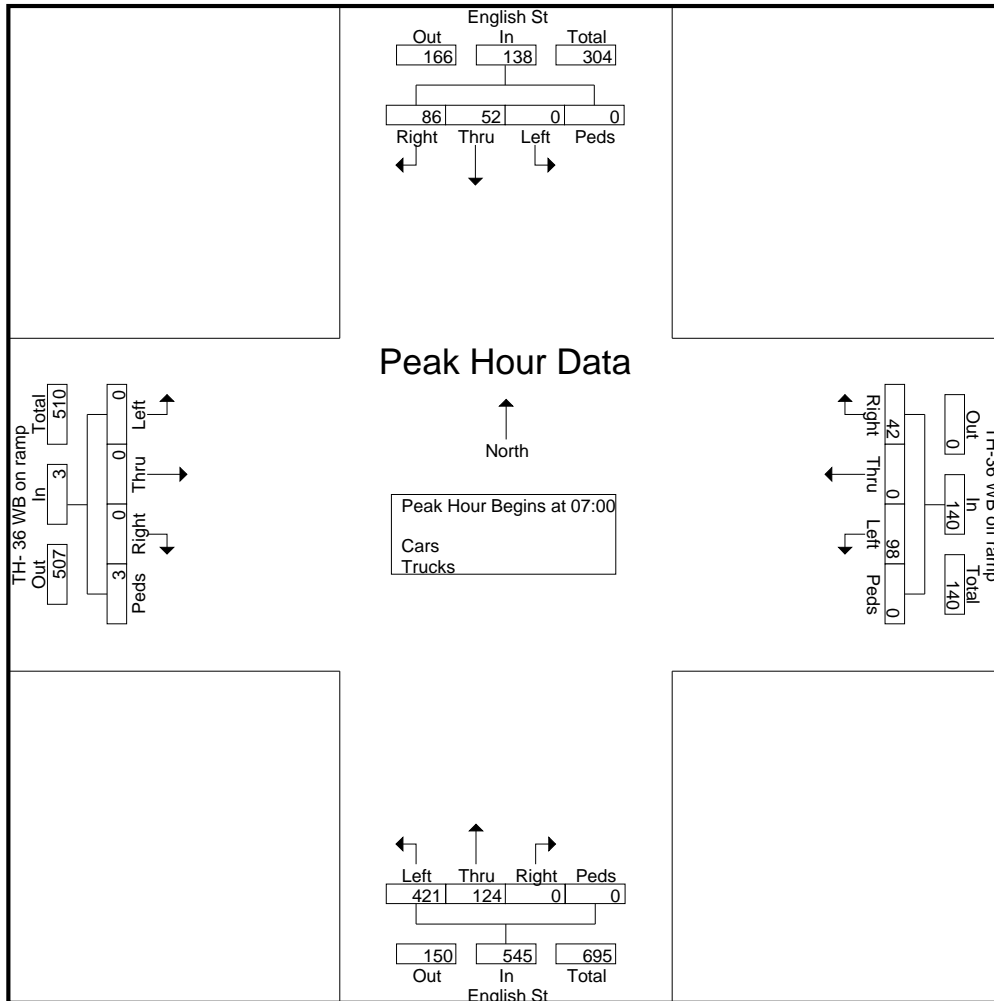
File Name : TH-36 at English St (N.ramp)_2019

Site Code :

Start Date : 7/23/2019

Page No : 3

Start Time	English St Southbound					TH-36 WB off ramp Westbound					English St Northbound					TH-36 WB on ramp Eastbound					Int. Total
	Left	Thru	Right	Peds	App. Total	Left	Thru	Right	Peds	App. Total	Left	Thru	Right	Peds	App. Total	Left	Thru	Right	Peds	App. Total	
Peak Hour Analysis From 06:00 to 11:45 - Peak 1 of 1																					
Peak Hour for Entire Intersection Begins at 07:00																					
07:00	0	10	27	0	37	19	0	15	0	34	114	23	0	0	137	0	0	0	1	1	209
07:15	0	14	20	0	34	23	0	6	0	29	100	35	0	0	135	0	0	0	2	2	200
07:30	0	14	22	0	36	21	0	11	0	32	117	30	0	0	147	0	0	0	0	0	215
07:45	0	14	17	0	31	35	0	10	0	45	90	36	0	0	126	0	0	0	0	0	202
Total Volume	0	52	86	0	138	98	0	42	0	140	421	124	0	0	545	0	0	0	3	3	826
% App. Total	0	37.7	62.3	0		70	0	30	0		77.2	22.8	0	0		0	0	0	100		
PHF	.000	.929	.796	.000	.932	.700	.000	.700	.000	.778	.900	.861	.000	.000	.927	.000	.000	.000	.375	.375	.960



Associated Consulting Services (ACS)

Saint Paul, MN 55127

-- TRAFFIC DATA --

TH-36 at English St (N.ramp)_2019

Ref Pt: 007+00.275

Data Prepared By: ACS

TURNING MOVEMENT COUNT

File Name : TH-36 at English St (N.ramp)_2019

Site Code :

Start Date : 7/23/2019

Page No : 4

Start Time	English St Southbound					TH-36 WB off ramp Westbound					English St Northbound					TH-36 WB on ramp Eastbound					Int. Total
	Left	Thru	Right	Peds	App. Total	Left	Thru	Right	Peds	App. Total	Left	Thru	Right	Peds	App. Total	Left	Thru	Right	Peds	App. Total	
Peak Hour Analysis From 12:00 to 17:45 - Peak 1 of 1																					
Peak Hour for Entire Intersection Begins at 14:00																					
14:00	0	19	24	0	43	37	0	6	0	43	99	33	0	0	132	0	0	0	0	0	218
14:15	0	31	25	0	56	23	0	4	1	28	87	36	0	0	123	0	0	0	0	0	207
14:30	0	25	37	0	62	38	2	14	0	54	110	35	0	0	145	0	0	0	0	0	261
14:45	0	26	27	0	53	41	1	9	0	51	97	37	0	0	134	0	0	0	0	0	238
Total Volume	0	101	113	0	214	139	3	33	1	176	393	141	0	0	534	0	0	0	0	0	924
% App. Total	0	47.2	52.8	0		79	1.7	18.8	0.6		73.6	26.4	0	0		0	0	0	0		
PHF	.000	.815	.764	.000	.863	.848	.375	.589	.250	.815	.893	.953	.000	.000	.921	.000	.000	.000	.000	.000	.885

