

TRAFFIC DATA INC.

3268 Xenwood Ave S
St Louis Park, MN 55416

TH-5 at TH-284 / Olive St S WACONIA
Ref.Pt.: 032.167
TDI Inc
TURN MOVEMENT COUNT

File Name : 2681115 Hwy 5 & Hwy 284
Site Code : 2681115
Start Date : 2/16/2011
Page No : 1

Groups Printed- Class 1

Start Time	Olive St S / Co.Rd.57 Southbound				TH-5 Westbound				TH-284 Northbound				TH-5 Eastbound				Int. Total
	Left	Thru	Rght	Peds	Left	Thru	Rght	Peds	Left	Thru	Rght	Peds	Left	Thru	Rght	Peds	
06:00	2	5	3	0	4	12	1	0	7	0	6	0	0	58	14	0	112
06:15	0	3	2	0	6	28	0	0	6	4	9	0	1	57	10	0	126
06:30	4	8	2	0	5	45	2	0	12	12	10	0	0	80	16	0	196
06:45	8	16	4	0	7	60	5	0	17	11	7	0	1	78	24	0	238
Total	14	32	11	0	22	145	8	0	42	27	32	0	2	273	64	0	672
07:00	8	9	2	0	11	53	5	0	12	17	12	0	0	94	18	0	241
07:15	7	13	4	0	13	85	10	1	30	17	10	0	2	91	21	0	304
07:30	18	34	11	1	9	110	11	0	20	32	26	0	4	97	23	0	396
07:45	30	37	9	1	12	92	13	0	20	48	35	0	4	135	21	0	457
Total	63	93	26	2	45	340	39	1	82	114	83	0	10	417	83	0	1398
08:00	16	36	11	0	12	70	7	0	24	11	15	0	7	94	21	0	324
08:15	5	21	5	0	7	65	2	0	24	10	21	0	3	79	19	0	261
08:30	8	13	6	0	12	64	12	0	18	14	10	0	4	77	13	0	251
08:45	6	10	8	0	10	55	10	0	20	12	23	0	2	63	12	0	231
Total	35	80	30	0	41	254	31	0	86	47	69	0	16	313	65	0	1067
09:00	10	12	9	0	14	76	11	0	12	14	15	0	6	62	11	0	252
09:15	13	17	10	0	11	50	7	0	17	24	13	0	5	61	22	0	250
09:30	7	10	8	0	11	47	9	0	15	20	11	0	4	63	14	0	219
09:45	15	15	7	0	9	41	9	0	16	20	9	0	4	48	13	0	206
Total	45	54	34	0	45	214	36	0	60	78	48	0	19	234	60	0	927
10:00	6	11	4	0	18	44	10	0	22	13	19	1	3	56	21	0	228
10:15	9	9	7	0	14	58	7	1	17	21	16	0	5	59	20	0	243
10:30	8	20	9	1	16	55	15	0	13	19	15	0	2	53	19	0	245
10:45	13	17	12	0	14	54	9	0	15	17	18	0	4	62	18	0	253
Total	36	57	32	1	62	211	41	1	67	70	68	1	14	230	78	0	969
11:00	9	19	9	0	9	74	8	0	21	18	11	0	7	56	17	0	258
11:15	16	25	14	0	6	55	10	0	16	18	16	0	8	54	21	0	259
11:30	10	16	14	1	7	61	12	0	20	18	26	0	4	68	12	0	269
11:45	7	24	8	0	11	76	13	0	15	21	19	0	8	74	10	0	286
Total	42	84	45	1	33	266	43	0	72	75	72	0	27	252	60	0	1072
12:00	20	18	16	1	20	59	9	0	22	23	24	0	7	78	14	0	311
12:15	24	24	13	0	13	64	6	0	23	13	18	0	4	78	14	0	294
12:30	15	14	11	0	6	73	9	0	18	13	17	0	7	68	13	0	264
12:45	10	18	12	0	15	81	15	0	16	17	12	0	8	62	14	0	280
Total	69	74	52	1	54	277	39	0	79	66	71	0	26	286	55	0	1149
13:00	11	18	11	0	16	57	9	0	27	15	20	0	5	59	15	0	263
13:15	8	17	12	0	15	77	10	0	18	11	25	0	3	58	10	0	264
13:30	13	11	9	0	12	64	8	0	27	13	18	0	7	72	13	0	267
13:45	9	17	8	0	23	67	9	0	19	20	17	0	7	57	24	0	277
Total	41	63	40	0	66	265	36	0	91	59	80	0	22	246	62	0	1071
14:00	16	17	9	2	16	64	12	0	24	18	25	0	5	62	22	1	293
14:15	8	18	8	0	18	107	12	0	22	21	26	0	4	62	20	0	326
14:30	12	24	13	0	25	99	5	0	33	26	22	0	4	70	17	0	350
14:45	21	46	14	1	17	111	7	0	26	15	13	0	7	76	11	0	365
Total	57	105	44	3	76	381	36	0	105	80	86	0	20	270	70	1	1334
15:00	19	24	9	0	16	88	10	0	22	17	19	0	5	113	25	0	367
15:15	16	21	8	0	17	93	10	0	26	20	21	0	4	94	24	0	354
15:30	20	26	16	1	15	139	5	2	38	33	40	0	5	87	15	0	442

TRAFFIC DATA INC.

3268 Xenwood Ave S
St Louis Park, MN 55416

TH-5 at TH-284 / Olive St S WACONIA
Ref.Pt.: 032.167
TDI Inc
TURN MOVEMENT COUNT

File Name : 2681115 Hwy 5 & Hwy 284
Site Code : 2681115
Start Date : 2/16/2011
Page No : 2

Groups Printed- Class 1

Start Time	Olive St S / Co.Rd.57 Southbound				TH-5 Westbound				TH-284 Northbound				TH-5 Eastbound				Int. Total
	Left	Thru	Rght	Peds	Left	Thru	Rght	Peds	Left	Thru	Rght	Peds	Left	Thru	Rght	Peds	
15:45	10	24	12	1	20	119	11	2	26	29	34	0	1	91	15	0	395
Total	65	95	45	2	68	439	36	4	112	99	114	0	15	385	79	0	1558
16:00	18	30	17	0	22	87	12	0	33	22	25	0	6	71	18	0	361
16:15	11	32	11	0	16	99	14	0	35	27	20	0	2	76	23	0	366
16:30	18	25	15	0	23	121	19	0	30	36	23	0	5	87	22	0	424
16:45	21	31	17	0	21	118	14	0	29	24	29	0	5	88	22	0	419
Total	68	118	60	0	82	425	59	0	127	109	97	0	18	322	85	0	1570
17:00	17	26	11	0	18	121	19	0	35	30	19	0	4	85	25	0	410
17:15	24	39	9	0	16	116	11	0	32	32	30	0	7	82	15	0	413
17:30	19	28	9	0	13	124	11	0	22	31	21	0	6	87	18	0	389
17:45	9	32	15	0	9	107	19	0	25	18	18	0	2	76	16	0	346
Total	69	125	44	0	56	468	60	0	114	111	88	0	19	330	74	0	1558
18:00	9	32	11	0	9	101	7	0	26	19	17	0	6	91	19	0	347
18:15	12	21	20	0	15	108	6	0	16	27	31	0	7	84	16	0	363
18:30	12	34	14	0	12	84	6	0	16	26	12	0	2	59	19	0	296
18:45	8	11	9	0	11	72	14	0	9	17	10	0	2	54	12	0	229
Total	41	98	54	0	47	365	33	0	67	89	70	0	17	288	66	0	1235
Grand Total	645	1078	517	10	697	4050	497	6	1104	1024	978	1	225	3846	901	1	15580
Apprch %	28.7	47.9	23	0.4	13.3	77.1	9.5	0.1	35.5	33	31.5	0	4.5	77.3	18.1	0	
Total %	4.1	6.9	3.3	0.1	4.5	26	3.2	0	7.1	6.6	6.3	0	1.4	24.7	5.8	0	

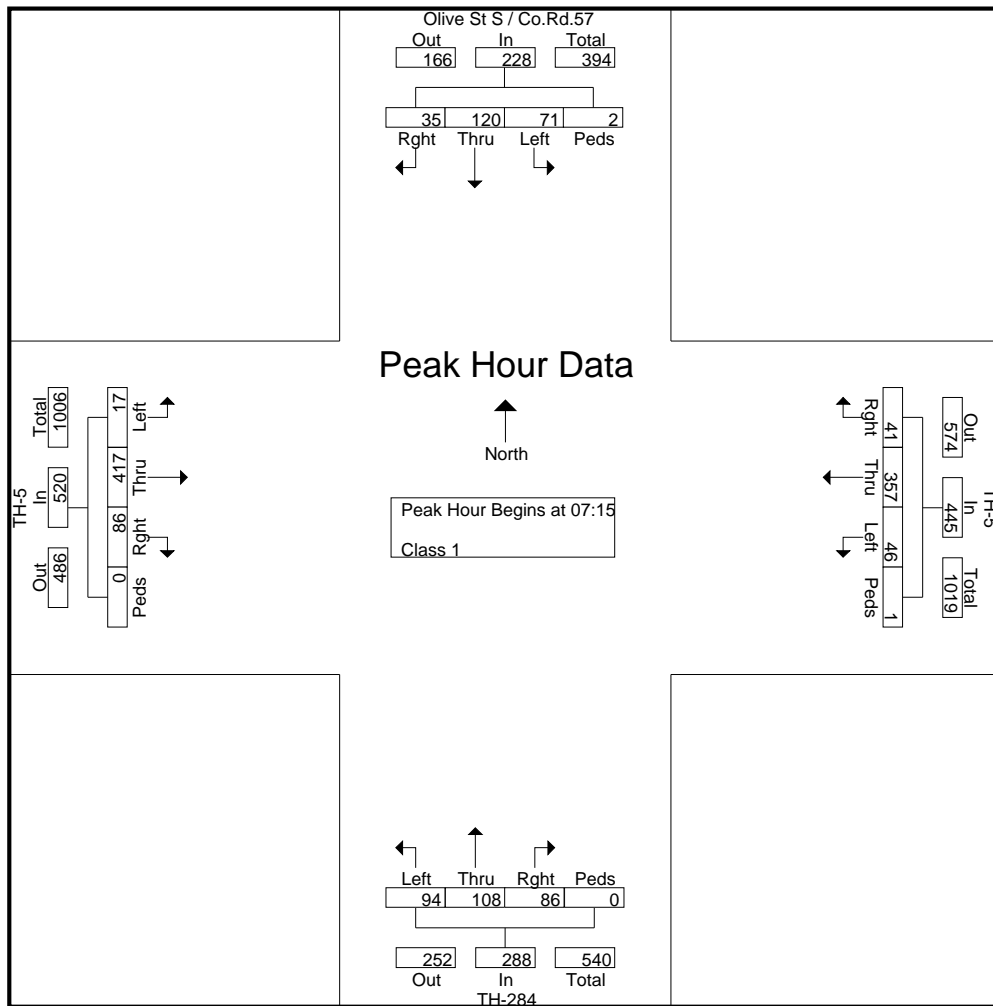
TRAFFIC DATA INC.

3268 Xenwood Ave S
St Louis Park, MN 55416

TH-5 at TH-284 / Olive St S WACONIA
Ref.Pt.: 032.167
TDI Inc
TURN MOVEMENT COUNT

File Name : 2681115 Hwy 5 & Hwy 284
Site Code : 2681115
Start Date : 2/16/2011
Page No : 3

Start Time	Olive St S / Co.Rd.57 Southbound					TH-5 Westbound					TH-284 Northbound					TH-5 Eastbound					Int. Total
	Left	Thru	Right	Peds	App. Total	Left	Thru	Right	Peds	App. Total	Left	Thru	Right	Peds	App. Total	Left	Thru	Right	Peds	App. Total	
Peak Hour Analysis From 06:00 to 09:30 - Peak 1 of 1																					
Peak Hour for Entire Intersection Begins at 07:15																					
07:15	7	13	4	0	24	13	85	10	1	109	30	17	10	0	57	2	91	21	0	114	304
07:30	18	34	11	1	64	9	110	11	0	130	20	32	26	0	78	4	97	23	0	124	396
07:45	30	37	9	1	77	12	92	13	0	117	20	48	35	0	103	4	135	21	0	160	457
08:00	16	36	11	0	63	12	70	7	0	89	24	11	15	0	50	7	94	21	0	122	324
Total Volume	71	120	35	2	228	46	357	41	1	445	94	108	86	0	288	17	417	86	0	520	1481
% App. Total	31.1	52.6	15.4	0.9		10.3	80.2	9.2	0.2		32.6	37.5	29.9	0		3.3	80.2	16.5	0		
PHF	.592	.811	.795	.500	.740	.885	.811	.788	.250	.856	.783	.563	.614	.000	.699	.607	.772	.935	.000	.813	.810



TRAFFIC DATA INC.

3268 Xenwood Ave S
St Louis Park, MN 55416

TH-5 at TH-284 / Olive St S WACONIA
Ref.Pt.: 032.167
TDI Inc
TURN MOVEMENT COUNT

File Name : 2681115 Hwy 5 & Hwy 284
Site Code : 2681115
Start Date : 2/16/2011
Page No : 4

Start Time	Olive St S / Co.Rd.57 Southbound					TH-5 Westbound					TH-284 Northbound					TH-5 Eastbound					Int. Total
	Left	Thru	Rght	Peds	App. Total	Left	Thru	Rght	Peds	App. Total	Left	Thru	Rght	Peds	App. Total	Left	Thru	Rght	Peds	App. Total	
Peak Hour Analysis From 15:00 to 18:45 - Peak 1 of 1																					
Peak Hour for Entire Intersection Begins at 16:30																					
16:30	18	25	15	0	58	23	121	19	0	163	30	36	23	0	89	5	87	22	0	114	424
16:45	21	31	17	0	69	21	118	14	0	153	29	24	29	0	82	5	88	22	0	115	419
17:00	17	26	11	0	54	18	121	19	0	158	35	30	19	0	84	4	85	25	0	114	410
17:15	24	39	9	0	72	16	116	11	0	143	32	32	30	0	94	7	82	15	0	104	413
Total Volume	80	121	52	0	253	78	476	63	0	617	126	122	101	0	349	21	342	84	0	447	1666
% App. Total	31.6	47.8	20.6	0		12.6	77.1	10.2	0		36.1	35	28.9	0		4.7	76.5	18.8	0		
PHF	.833	.776	.765	.000	.878	.848	.983	.829	.000	.946	.900	.847	.842	.000	.928	.750	.972	.840	.000	.972	.982

