

# Albeck Gerken, Inc

Transportation Engineers

Traffic Data Collection

Prairie Center Drive at Technology Drive  
 Counted By: George / Doretha  
 Data by: Albeck Gerken Inc - Geo/Doretha  
 TURN MOVEMENT COUNT

File Name : Prairie Center Dr at Technology Dr 2005  
 Site Code : 00000000  
 Start Date : 1/12/2005  
 Page No : 1

Groups Printed- Unshifted

Start Time	Prairie Center Drive Southbound				commercial driveway Westbound				Prairie Center Drive Northbound				Technology Drive Eastbound				Int. Total
	Left	Thru	Right	Peds	Left	Thru	Right	Peds	Left	Thru	Right	Peds	Left	Thru	Right	Peds	
06:30	1	71	78	0	0	0	0	0	42	60	2	0	18	3	9	0	284
06:45	5	113	69	0	0	1	2	0	53	58	12	0	17	1	12	0	343
Total	6	184	147	0	0	1	2	0	95	118	14	0	35	4	21	0	627
07:00	4	80	89	0	0	0	1	0	54	73	13	0	10	1	8	0	333
07:15	13	117	86	0	0	0	0	0	54	133	9	0	24	4	24	0	464
07:30	9	150	83	0	0	0	2	0	49	136	10	0	25	7	21	0	492
07:45	26	154	71	0	2	2	2	0	43	126	18	0	19	6	21	0	490
Total	52	501	329	0	2	2	5	0	200	468	50	0	78	18	74	0	1779
08:00	13	132	63	0	4	3	7	0	32	82	14	0	29	5	25	0	409
08:15	15	157	63	1	2	0	6	0	25	114	11	0	23	4	34	0	455
*** BREAK ***																	
Total	28	289	126	1	6	3	13	0	57	196	25	0	52	9	59	0	864
*** BREAK ***																	
16:00	11	247	27	0	17	4	7	0	32	193	4	0	39	0	59	0	640
16:15	5	268	40	1	16	0	8	0	36	218	2	0	40	0	84	0	718
16:30	5	305	32	1	21	2	8	1	49	196	2	0	55	0	86	0	763
16:45	2	283	35	0	22	4	11	0	46	196	4	0	42	2	78	0	725
Total	23	1103	134	2	76	10	34	1	163	803	12	0	176	2	307	0	2846
17:00	2	234	40	0	25	3	11	1	51	209	1	0	56	1	76	0	710
17:15	1	316	55	0	15	5	10	0	53	210	0	0	31	1	50	0	747
17:30	2	287	47	0	7	6	8	0	47	192	6	0	50	1	111	0	764
17:45	4	276	61	0	7	1	1	0	71	179	2	0	47	0	79	0	728
Total	9	1113	203	0	54	15	30	1	222	790	9	0	184	3	316	0	2949
Grand Total	118	3190	939	3	138	31	84	2	737	2375	110	0	525	36	777	0	9065
Apprch %	2.8	75.1	22.1	0.1	54.1	12.2	32.9	0.8	22.9	73.7	3.4	0	39.2	2.7	58.1	0	
Total %	1.3	35.2	10.4	0	1.5	0.3	0.9	0	8.1	26.2	1.2	0	5.8	0.4	8.6	0	

# Albeck Gerken, Inc

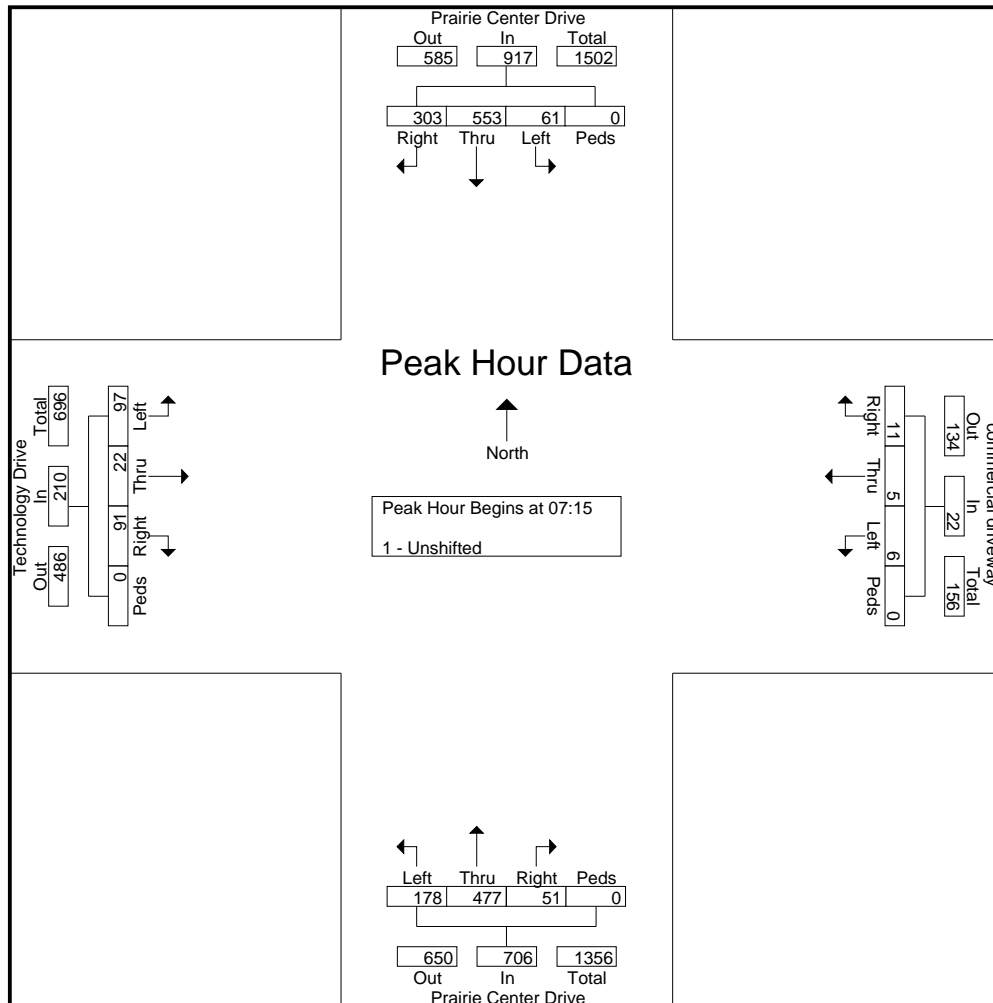
Transportation Engineers

Traffic Data Collection

Prairie Center Drive at Technology Drive  
 Counted By: George / Doretha  
 Data by: Albeck Gerken Inc - Geo/Doretha  
 TURN MOVEMENT COUNT

File Name : Prairie Center Dr at Technology Dr 2005  
 Site Code : 00000000  
 Start Date : 1/12/2005  
 Page No : 2

Start Time	Prairie Center Drive Southbound					commercial driveway Westbound					Prairie Center Drive Northbound					Technology Drive Eastbound					Int. Total
	Left	Thru	Right	Peds	App. Total	Left	Thru	Right	Peds	App. Total	Left	Thru	Right	Peds	App. Total	Left	Thru	Right	Peds	App. Total	
Peak Hour Analysis From 06:30 to 08:15 - Peak 1 of 1																					
Peak Hour for Entire Intersection Begins at 07:15																					
07:15	13	117	86	0	216	0	0	0	0	0	54	133	9	0	196	24	4	24	0	52	464
07:30	9	150	83	0	242	0	0	2	0	2	49	136	10	0	195	25	7	21	0	53	492
07:45	26	154	71	0	251	2	2	2	0	6	43	126	18	0	187	19	6	21	0	46	490
08:00	13	132	63	0	208	4	3	7	0	14	32	82	14	0	128	29	5	25	0	59	409
Total Volume	61	553	303	0	917	6	5	11	0	22	178	477	51	0	706	97	22	91	0	210	1855
% App. Total	6.7	60.3	33	0		27.3	22.7	50	0		25.2	67.6	7.2	0		46.2	10.5	43.3	0		
PHF	.587	.898	.881	.000	.913	.375	.417	.393	.000	.393	.824	.877	.708	.000	.901	.836	.786	.910	.000	.890	.943



# Albeck Gerken, Inc

Transportation Engineers

Traffic Data Collection

Prairie Center Drive at Technology Drive  
 Counted By: George / Doretha  
 Data by: Albeck Gerken Inc - Geo/Doretha  
 TURN MOVEMENT COUNT

File Name : Prairie Center Dr at Technology Dr 2005  
 Site Code : 00000000  
 Start Date : 1/12/2005  
 Page No : 3

Start Time	Prairie Center Drive Southbound					commercial driveway Westbound					Prairie Center Drive Northbound					Technology Drive Eastbound					Int. Total
	Left	Thru	Right	Peds	App. Total	Left	Thru	Right	Peds	App. Total	Left	Thru	Right	Peds	App. Total	Left	Thru	Right	Peds	App. Total	
Peak Hour Analysis From 16:00 to 17:45 - Peak 1 of 1																					
Peak Hour for Entire Intersection Begins at 17:00																					
17:00	2	234	40	0	276	25	3	11	1	40	51	209	1	0	261	56	1	76	0	133	710
17:15	1	316	55	0	372	15	5	10	0	30	53	210	0	0	263	31	1	50	0	82	747
17:30	2	287	47	0	336	7	6	8	0	21	47	192	6	0	245	50	1	111	0	162	764
17:45	4	276	61	0	341	7	1	1	0	9	71	179	2	0	252	47	0	79	0	126	728
Total Volume	9	1113	203	0	1325	54	15	30	1	100	222	790	9	0	1021	184	3	316	0	503	2949
% App. Total	0.7	84	15.3	0		54	15	30	1		21.7	77.4	0.9	0		36.6	0.6	62.8	0		
PHF	.563	.881	.832	.000	.890	.540	.625	.682	.250	.625	.782	.940	.375	.000	.971	.821	.750	.712	.000	.776	.965

