



701 Xenia Ave S, Suite 300
 Minneapolis, MN 55416

TH 5 & Goodhue Ave/Ann St
 7-9am & 4-6pm
 vehicles, heavy trucks, peds
 day 2

File Name : site 43-TH 5 & Goodhue-Ann St-day 2
 Site Code : 43
 Start Date : 3/30/2022
 Page No : 1

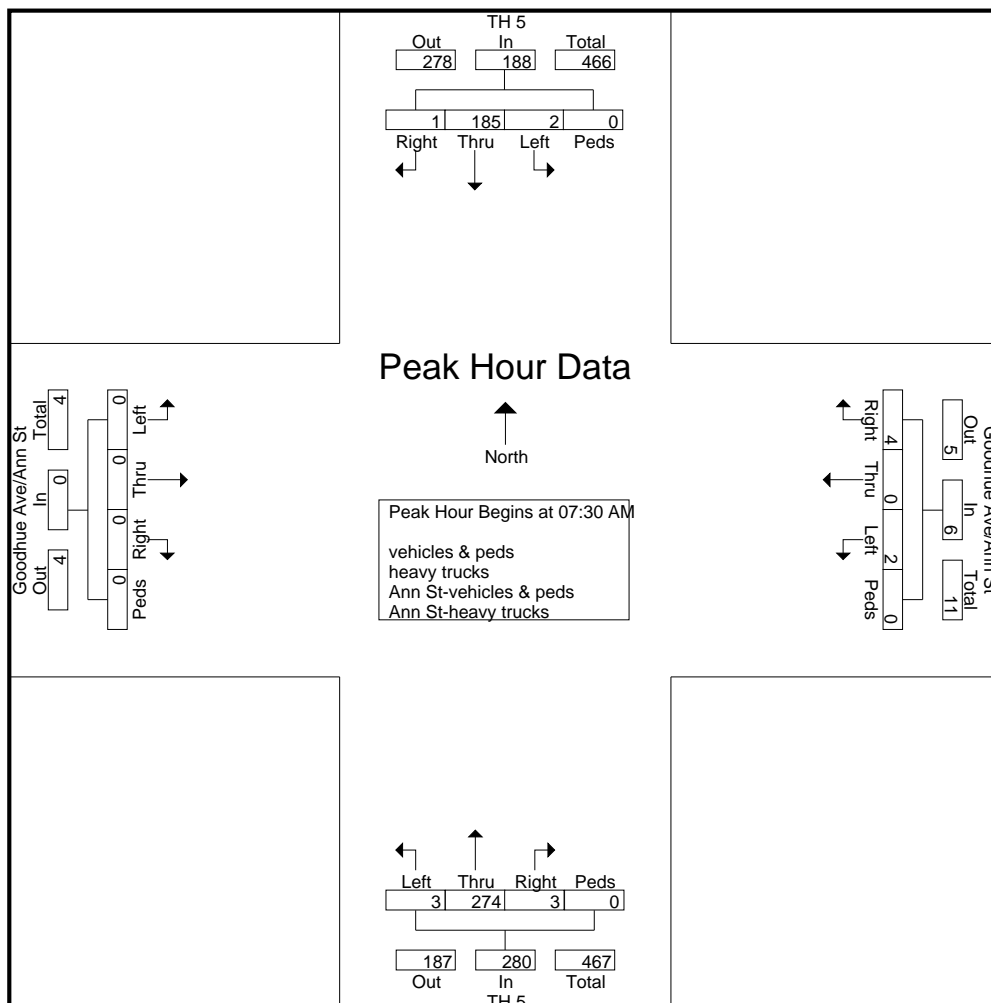
Groups Printed- vehicles & peds - heavy trucks - vehicles & peds - heavy trucks

Start Time	TH 5 From North					Goodhue Ave/Ann St From East					TH 5 From South					Goodhue Ave/Ann St From West					Int. Total
	Right	Thru	Left	Peds	App. Total	Right	Thru	Left	Peds	App. Total	Right	Thru	Left	Peds	App. Total	Right	Thru	Left	Peds	App. Total	
07:00 AM	0	21	0	0	21	0	0	0	0	0	0	34	0	0	34	0	0	0	0	0	0
07:15 AM	0	22	0	0	22	1	0	2	0	3	0	46	1	0	47	0	0	0	0	0	0
07:30 AM	0	46	1	0	47	0	0	0	0	0	1	81	2	0	84	0	0	0	0	0	0
07:45 AM	1	53	0	0	54	1	0	2	0	3	0	74	1	0	75	0	0	0	0	0	0
Total	1	142	1	0	144	2	0	4	0	6	1	235	4	0	240	0	0	0	0	0	390
08:00 AM	0	46	1	0	47	1	0	0	0	1	2	58	0	0	60	0	0	0	0	0	108
08:15 AM	0	40	0	0	40	2	0	0	0	2	0	61	0	0	61	0	0	0	0	0	103
08:30 AM	0	52	0	0	52	1	0	2	0	3	1	51	1	0	53	0	0	0	2	2	110
08:45 AM	0	49	0	0	49	1	0	2	0	3	2	61	1	0	64	0	0	0	0	0	116
Total	0	187	1	0	188	5	0	4	0	9	5	231	2	0	238	0	0	0	2	2	437
04:00 PM	0	68	0	0	68	2	0	1	2	5	3	73	3	1	80	2	0	0	4	6	159
04:15 PM	1	69	1	0	71	6	0	1	0	7	3	80	5	0	88	2	0	0	1	3	169
04:30 PM	1	88	0	0	89	0	1	2	0	3	5	81	1	0	87	0	0	1	2	3	182
04:45 PM	1	84	1	0	86	0	0	1	0	1	1	66	4	0	71	0	0	0	1	1	159
Total	3	309	2	0	314	8	1	5	2	16	12	300	13	1	326	4	0	1	8	13	669
05:00 PM	0	83	0	0	83	0	0	1	3	4	0	67	1	1	69	1	0	1	3	5	161
05:15 PM	2	77	0	1	80	0	0	0	1	1	0	66	4	0	70	3	0	1	1	5	156
05:30 PM	0	68	2	0	70	3	0	1	1	5	4	75	4	0	83	2	0	0	0	2	160
05:45 PM	1	63	0	0	64	0	2	3	12	17	3	71	5	1	80	1	0	1	0	2	163
Total	3	291	2	1	297	3	2	5	17	27	7	279	14	2	302	7	0	3	4	14	640
Grand Total	7	929	6	1	943	18	3	18	19	58	25	1045	33	3	1106	11	0	4	14	29	2136
Apprch %	0.7	98.5	0.6	0.1		31	5.2	31	32.8		2.3	94.5	3	0.3		37.9	0	13.8	48.3		
Total %	0.3	43.5	0.3	0	44.1	0.8	0.1	0.8	0.9	2.7	1.2	48.9	1.5	0.1	51.8	0.5	0	0.2	0.7	1.4	
vehicles & peds	7	925	2	1	935	2	2	12	12	28	23	1033	33	3	1092	11	0	4	14	29	2084
% vehicles & peds	100	99.6	33.3	100	99.2	11.1	66.7	66.7	63.2	48.3	92	98.9	100	100	98.7	100	0	100	100	100	97.6
heavy trucks	0	4	0	0	4	0	0	0	0	0	0	12	0	0	12	0	0	0	0	0	16
% heavy trucks	0	0.4	0	0	0.4	0	0	0	0	0	0	1.1	0	0	1.1	0	0	0	0	0	0.7
Ann St-vehicles & peds	0	0	4	0	4	16	1	6	7	30	2	0	0	0	2	0	0	0	0	0	36
% Ann St-vehicles & peds	0	0	66.7	0	0.4	88.9	33.3	33.3	36.8	51.7	8	0	0	0	0.2	0	0	0	0	0	1.7
Ann St-heavy trucks	0	0	0	0	0	0	0	0	0	0	0	0	0	0	0	0	0	0	0	0	0
% Ann St-heavy trucks	0	0	0	0	0	0	0	0	0	0	0	0	0	0	0	0	0	0	0	0	0

TH 5 & Goodhue Ave/Ann St
 7-9am & 4-6pm
 vehicles, heavy trucks, peds
 day 2

File Name : site 43-TH 5 & Goodhue-Ann St-day 2
 Site Code : 43
 Start Date : 3/30/2022
 Page No : 2

Start Time	TH 5 From North					Goodhue Ave/Ann St From East					TH 5 From South					Goodhue Ave/Ann St From West					Int. Total
	Right	Thru	Left	Peds	App. Total	Right	Thru	Left	Peds	App. Total	Right	Thru	Left	Peds	App. Total	Right	Thru	Left	Peds	App. Total	
Peak Hour Analysis From 07:00 AM to 11:45 AM - Peak 1 of 1																					
Peak Hour for Entire Intersection Begins at 07:30 AM																					
07:30 AM	0	46	1	0	47	0	0	0	0	0	1	81	2	0	84	0	0	0	0	0	131
07:45 AM	1	53	0	0	54	1	0	2	0	3	0	74	1	0	75	0	0	0	0	0	132
08:00 AM	0	46	1	0	47	1	0	0	0	1	2	58	0	0	60	0	0	0	0	0	108
08:15 AM	0	40	0	0	40	2	0	0	0	2	0	61	0	0	61	0	0	0	0	0	103
Total Volume	1	185	2	0	188	4	0	2	0	6	3	274	3	0	280	0	0	0	0	0	474
% App. Total	0.5	98.4	1.1	0		66.7	0	33.3	0		1.1	97.9	1.1	0		0	0	0	0		
PHF	.250	.873	.500	.000	.870	.500	.000	.250	.000	.500	.375	.846	.375	.000	.833	.000	.000	.000	.000	.000	.898



TH 5 & Goodhue Ave/Ann St
7-9am & 4-6pm
vehicles, heavy trucks, peds
day 2

File Name : site 43-TH 5 & Goodhue-Ann St-day 2
Site Code : 43
Start Date : 3/30/2022
Page No : 3

Start Time	TH 5 From North					Goodhue Ave/Ann St From East					TH 5 From South					Goodhue Ave/Ann St From West					Int. Total
	Rig ht	Thr u	Left	Ped s	App. Total	Rig ht	Thr u	Left	Ped s	App. Total	Right	Thr u	Left	Peds	App. Total	Right	Thr u	Left	Peds	App. Total	
Peak Hour Analysis From 12:00 PM to 05:45 PM - Peak 1 of 1																					
Peak Hour for Entire Intersection Begins at 04:15 PM																					
04:15 PM	1	69	1	0	71	6	0	1	0	7	3	80	5	0	88	2	0	0	1	3	169
04:30 PM	1	88	0	0	89	0	1	2	0	3	5	81	1	0	87	0	0	1	2	3	182
04:45 PM	1	84	1	0	86	0	0	1	0	1	1	66	4	0	71	0	0	0	1	1	159
05:00 PM	0	83	0	0	83	0	0	1	3	4	0	67	1	1	69	1	0	1	3	5	161
Total Volume	3	324	2	0	329	6	1	5	3	15	9	294	11	1	315	3	0	2	7	12	671
% App. Total	0.9	98.5	0.6	0		40	6.7	33.3	20		2.9	93.3	3.5	0.3		25	0	16.7	58.3		
PHF	.750	.920	.500	.000	.924	.250	.250	.625	.250	.536	.450	.907	.550	.250	.895	.375	.000	.500	.583	.600	.922

