

MN Dept of Transportation

TRAFFIC DATA COLLECTION - Metro

TH-5 at Stillwater Rd
 Ref. Pt 185+00.805
 Video by KM
 TURN MOVEMENT COUNT

File Name : TH-5 at Stillwater Rd 2016
 Site Code :
 Start Date : 8/23/2016
 Page No : 1

Groups Printed- Cars +

Start Time	Lakewood Dr Southbound				TH-5 Westbound				Stillwater Rd Northbound				Stillwater Ave Eastbound				Int. Total
	Left	Thru	Right	Peds	Left	Thru	Right	Peds	Left	Thru	Right	Peds	Left	Thru	Right	Peds	
06:00	0	64	1	0	18	7	2	0	3	33	10	0	5	5	3	1	152
06:15	2	72	5	0	27	22	2	0	6	49	9	0	8	9	5	0	216
06:30	3	87	6	0	32	44	6	0	5	57	16	0	3	14	9	0	282
06:45	1	107	1	0	31	48	5	0	10	60	15	0	7	13	9	0	307
Total	6	330	13	0	108	121	15	0	24	199	50	0	23	41	26	1	957
07:00	2	111	4	0	46	41	5	0	5	54	15	0	4	13	8	0	308
07:15	1	132	9	0	45	50	7	0	2	69	17	0	11	14	11	0	368
07:30	4	161	11	0	33	57	4	0	8	76	13	0	9	13	7	0	396
07:45	4	166	7	0	28	46	2	0	11	87	24	0	9	13	7	0	404
Total	11	570	31	0	152	194	18	0	26	286	69	0	33	53	33	0	1476
08:00	4	135	3	0	26	28	6	0	5	66	15	0	7	10	6	0	311
08:15	4	128	3	0	40	31	2	0	9	76	12	0	4	10	11	0	330
08:30	4	103	3	0	29	22	3	0	3	69	14	0	11	13	10	0	284
08:45	5	77	8	0	17	20	2	0	7	70	18	0	5	13	13	0	255
Total	17	443	17	0	112	101	13	0	24	281	59	0	27	46	40	0	1180
09:00	1	88	5	0	16	12	4	0	4	51	18	0	8	9	8	0	224
09:15	7	70	0	0	26	11	6	0	4	61	18	0	6	14	10	0	233
09:30	3	60	5	0	29	15	3	0	6	57	20	0	7	15	4	0	224
09:45	6	78	8	0	21	11	2	0	8	52	21	0	6	15	8	0	236
Total	17	296	18	0	92	49	15	0	22	221	77	0	27	53	30	0	917
10:00	3	59	2	0	12	12	4	0	10	81	24	0	6	13	9	0	235
10:15	5	71	4	0	14	12	6	0	3	73	27	0	5	21	14	0	255
10:30	4	75	7	0	25	13	5	0	9	60	21	0	5	18	8	0	250
10:45	2	77	6	0	18	14	6	0	5	72	13	0	4	14	13	0	244
Total	14	282	19	0	69	51	21	0	27	286	85	0	20	66	44	0	984
11:00	5	76	9	0	20	14	5	0	6	57	15	0	5	14	4	0	230
11:15	9	82	4	0	22	16	7	0	3	77	26	0	3	13	10	0	272
11:30	9	67	6	0	15	16	3	0	5	72	22	0	7	13	4	0	239
11:45	4	71	7	0	23	13	4	0	7	69	20	0	7	11	8	0	244
Total	27	296	26	0	80	59	19	0	21	275	83	0	22	51	26	0	985
12:00	4	73	7	0	24	19	8	0	8	73	24	0	9	20	12	0	281
12:15	12	91	11	0	25	18	8	1	2	76	30	0	6	11	15	0	306
12:30	6	84	4	0	21	21	10	0	6	56	25	0	6	14	10	0	263
12:45	8	85	10	0	23	19	5	0	6	76	17	0	11	23	4	0	287
Total	30	333	32	0	93	77	31	1	22	281	96	0	32	68	41	0	1137
13:00	8	85	12	0	19	20	8	0	7	65	23	0	10	22	8	0	287
13:15	8	76	10	0	18	14	5	0	6	92	30	0	3	22	9	0	293
13:30	4	90	6	0	27	17	7	0	8	83	26	0	9	10	11	0	298
13:45	4	87	7	0	20	20	10	0	10	79	28	0	8	14	6	0	293
Total	24	338	35	0	84	71	30	0	31	319	107	0	30	68	34	0	1171
14:00	7	72	9	0	21	16	6	0	9	73	26	0	5	24	9	0	277
14:15	8	77	7	0	30	19	3	0	7	84	27	0	8	17	12	0	299
14:30	8	89	8	0	16	24	7	0	9	89	29	0	9	21	6	0	315
14:45	9	85	7	0	23	14	5	0	10	97	24	0	7	28	7	0	316
Total	32	323	31	0	90	73	21	0	35	343	106	0	29	90	34	0	1207
15:00	3	78	8	0	25	21	8	0	10	122	32	0	5	18	8	0	338
15:15	14	99	9	0	24	20	4	0	10	109	36	0	12	19	6	0	362
15:30	11	83	13	0	33	23	4	0	6	162	47	0	10	25	14	0	431

MN Dept of Transportation

TRAFFIC DATA COLLECTION - Metro

TH-5 at Stillwater Rd
 Ref. Pt 185+00.805
 Video by KM
 TURN MOVEMENT COUNT

File Name : TH-5 at Stillwater Rd 2016
 Site Code :
 Start Date : 8/23/2016
 Page No : 2

Groups Printed- Cars +

Start Time	Lakewood Dr Southbound				TH-5 Westbound				Stillwater Rd Northbound				Stillwater Ave Eastbound				Int. Total
	Left	Thru	Right	Peds	Left	Thru	Right	Peds	Left	Thru	Right	Peds	Left	Thru	Right	Peds	
15:45	6	113	11	0	24	14	9	0	13	159	52	0	6	32	14	0	453
Total	34	373	41	0	106	78	25	0	39	552	167	0	33	94	42	0	1584
16:00	4	113	15	0	24	22	4	0	10	142	38	0	6	38	17	0	433
16:15	5	92	12	0	26	23	8	0	7	169	51	0	10	42	11	0	456
16:30	10	110	10	0	39	19	7	0	7	182	37	0	8	40	12	0	481
16:45	14	123	10	0	26	27	6	0	11	217	53	0	13	38	18	0	556
Total	33	438	47	0	115	91	25	0	35	710	179	0	37	158	58	0	1926
17:00	3	107	8	0	24	19	7	0	6	189	45	0	12	30	12	0	462
17:15	8	124	13	0	41	18	3	0	5	186	45	0	13	53	7	0	516
17:30	13	107	3	0	30	16	3	0	5	188	57	0	10	34	10	0	476
17:45	9	111	17	0	24	20	5	0	7	120	32	0	10	21	15	0	391
Total	33	449	41	0	119	73	18	0	23	683	179	0	45	138	44	0	1845
Grand Total	278	4471	351	0	1220	1038	251	1	329	4436	1257	0	358	926	452	1	15369
Apprch %	5.5	87.7	6.9	0	48.6	41.4	10	0	5.5	73.7	20.9	0	20.6	53.3	26	0.1	
Total %	1.8	29.1	2.3	0	7.9	6.8	1.6	0	2.1	28.9	8.2	0	2.3	6	2.9	0	

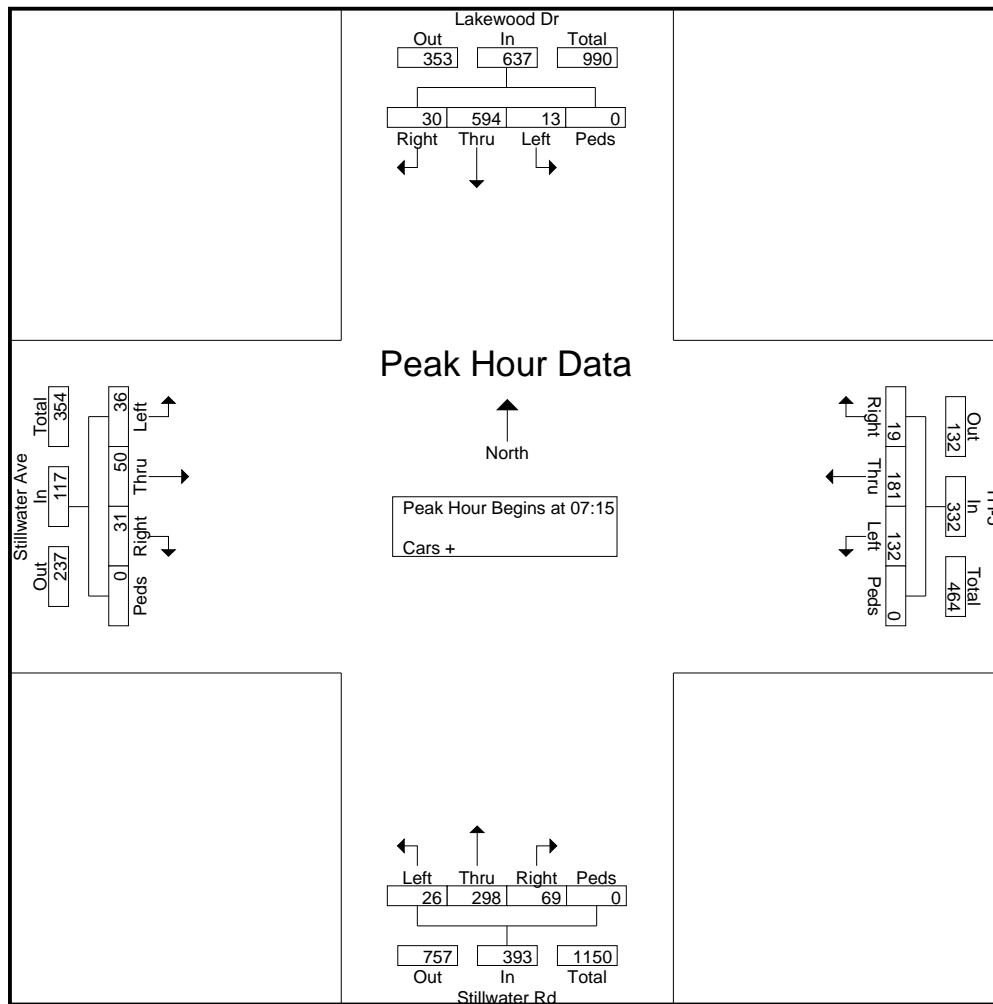
MN Dept of Transportation

TRAFFIC DATA COLLECTION - Metro

TH-5 at Stillwater Rd
 Ref. Pt 185+00.805
 Video by KM
 TURN MOVEMENT COUNT

File Name : TH-5 at Stillwater Rd 2016
 Site Code :
 Start Date : 8/23/2016
 Page No : 3

Start Time	Lakewood Dr Southbound					TH-5 Westbound					Stillwater Rd Northbound					Stillwater Ave Eastbound					Int. Total
	Left	Thru	Right	Peds	App. Total	Left	Thru	Right	Peds	App. Total	Left	Thru	Right	Peds	App. Total	Left	Thru	Right	Peds	App. Total	
Peak Hour Analysis From 06:00 to 11:45 - Peak 1 of 1																					
Peak Hour for Entire Intersection Begins at 07:15																					
07:15	1	132	9	0	142	45	50	7	0	102	2	69	17	0	88	11	14	11	0	36	368
07:30	4	166	11	0	177	28	57	2	0	76	11	87	24	0	122	9	13	7	0	29	404
07:45	4	166	7	0	177	28	46	2	0	76	11	87	24	0	122	9	13	7	0	29	404
08:00	4	135	3	0	142	26	28	6	0	60	5	66	15	0	86	7	10	6	0	23	311
Total Volume	13	594	30	0	637	132	181	19	0	332	26	298	69	0	393	36	50	31	0	117	1479
% App. Total	2	93.2	4.7	0		39.8	54.5	5.7	0		6.6	75.8	17.6	0		30.8	42.7	26.5	0		
PHF	.813	.895	.682	.000	.900	.733	.794	.679	.000	.814	.591	.856	.719	.000	.805	.818	.893	.705	.000	.813	.915



MN Dept of Transportation

TRAFFIC DATA COLLECTION - Metro

TH-5 at Stillwater Rd
 Ref. Pt 185+00.805
 Video by KM
 TURN MOVEMENT COUNT

File Name : TH-5 at Stillwater Rd 2016
 Site Code :
 Start Date : 8/23/2016
 Page No : 4

Start Time	Lakewood Dr Southbound					TH-5 Westbound					Stillwater Rd Northbound					Stillwater Ave Eastbound					Int. Total
	Left	Thru	Right	Peds	App. Total	Left	Thru	Right	Peds	App. Total	Left	Thru	Right	Peds	App. Total	Left	Thru	Right	Peds	App. Total	
Peak Hour Analysis From 12:00 to 17:45 - Peak 1 of 1																					
Peak Hour for Entire Intersection Begins at 16:30																					
16:30	10	110	10	0	130	39	19	7	0	65	7	182	37	0	226	8	40	12	0	60	481
16:45	14				147	26	27				11	217	53	0	281	13		18			556
17:00	3	107	8	0	118	24	19	7	0	50	6	189	45	0	240	12	30	12	0	54	462
17:15	8	124	13			41	18	3	0	62	5	186	45	0	236	13	53	7	0	73	516
Total Volume	35	464	41	0	540	130	83	23	0	236	29	774	180	0	983	46	161	49	0	256	2015
% App. Total	6.5	85.9	7.6	0		55.1	35.2	9.7	0		3	78.7	18.3	0		18	62.9	19.1	0		
PHF	.625	.935	.788	.000	.918	.793	.769	.821	.000	.908	.659	.892	.849	.000	.875	.885	.759	.681	.000	.877	.906

