



# MINNESOTA DEPT OF TRANSPORTATION

## TRAFFIC DATA COLLECTION - METRO

TH-5 at CSAH-17 /Lake Elmo Ave., E jct  
 Ref.Pt.: 198.289  
 JAMAR # 631 RE  
 TURN MOVEMENT COUNT

File Name : th-5 at csah-17 e jct 2010  
 Site Code : 00000000  
 Start Date : 1/13/2010  
 Page No : 1

### Groups Printed- Cars & Trucks

Start Time	TH-5 Westbound				CSAH-17 / Lake Elmo Ave. Northbound				TH-5 Eastbound				Int. Total
	Left	Thru	Right	Peds	Left	Thru	Right	Peds	Left	Thru	Right	Peds	
06:00	2	44	0	0	4	0	1	0	0	12	1	0	64
06:15	6	60	0	0	10	0	7	0	0	22	3	0	108
06:30	4	75	0	0	12	0	3	0	0	51	6	0	151
06:45	11	93	0	0	15	0	8	0	0	50	13	0	190
Total	23	272	0	0	41	0	19	0	0	135	23	0	513
07:00	6	127	0	0	19	0	12	0	0	48	7	0	219
07:15	6	105	0	0	14	0	31	0	0	70	4	0	230
07:30	13	136	0	0	24	0	34	0	0	81	15	0	303
07:45	17	125	0	0	30	0	14	0	0	75	6	0	267
Total	42	493	0	0	87	0	91	0	0	274	32	0	1019
08:00	14	92	0	0	18	0	16	0	0	53	7	0	200
08:15	11	86	0	0	12	0	16	0	0	71	13	0	209
08:30	10	85	0	0	27	0	13	0	0	56	13	0	204
08:45	8	110	0	0	37	0	10	0	0	80	34	0	279
Total	43	373	0	0	94	0	55	0	0	260	67	0	892
*** BREAK ***													
14:45	24	81	0	0	27	0	29	0	0	84	13	0	258
Total	24	81	0	0	27	0	29	0	0	84	13	0	258
15:00	14	77	0	0	24	0	17	0	0	82	21	0	235
15:15	18	76	0	0	15	0	29	0	0	97	20	0	255
15:30	33	76	0	0	17	0	30	0	0	115	32	0	303
15:45	27	90	0	0	14	0	29	0	0	133	26	0	319
Total	92	319	0	0	70	0	105	0	0	427	99	0	1112
16:00	35	76	0	0	18	0	22	0	0	124	33	0	308
16:15	23	91	0	0	18	0	26	0	0	127	20	0	305
16:30	19	88	0	0	11	0	24	0	0	120	23	0	285
16:45	21	88	0	0	13	0	29	0	0	145	27	0	323
Total	98	343	0	0	60	0	101	0	0	516	103	0	1221
17:00	29	96	0	0	12	0	20	0	0	132	18	0	307
17:15	30	89	0	0	13	0	23	0	0	133	19	0	307
17:30	20	78	0	0	14	0	17	0	1	115	15	0	260
17:45	16	64	0	0	17	0	21	0	1	122	26	0	267
Total	95	327	0	0	56	0	81	0	2	502	78	0	1141
Grand Total	417	2208	0	0	435	0	481	0	2	2198	415	0	6156
Apprch %	15.9	84.1	0	0	47.5	0	52.5	0	0.1	84.1	15.9	0	
Total %	6.8	35.9	0	0	7.1	0	7.8	0	0	35.7	6.7	0	

Parents waiting to pickup students at school (W jct) park/wait on the TH-5 WB shoulder, queue backing onto the bypass lane of TH-5 E jct.

Queue on bypass lane:  
 AM 8:50 - 8:55 AM  
 PM 3:25 - 3:36 PM



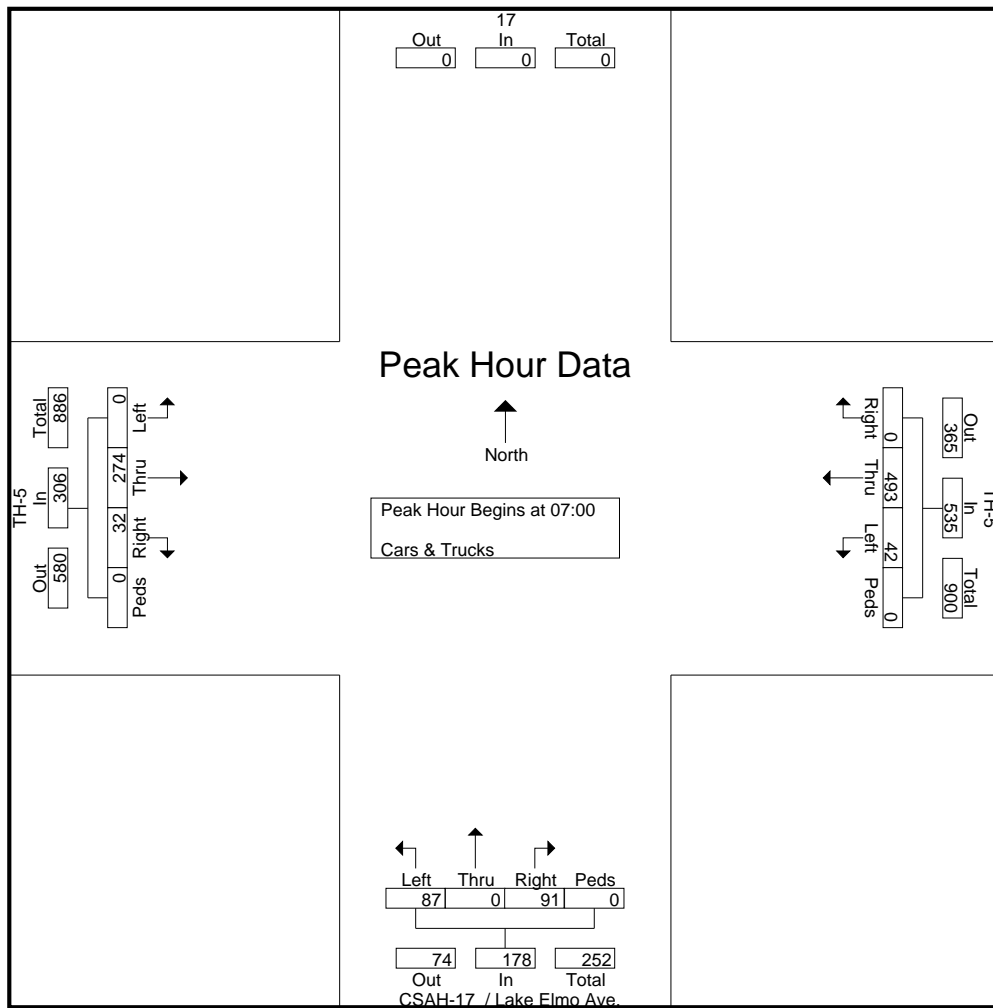
# MINNESOTA DEPT OF TRANSPORTATION

## TRAFFIC DATA COLLECTION - METRO

TH-5 at CSAH-17 /Lake Elmo Ave., E jct  
 Ref.Pt.: 198.289  
 JAMAR # 631 RE  
 TURN MOVEMENT COUNT

File Name : th-5 at csah-17 e jct 2010  
 Site Code : 00000000  
 Start Date : 1/13/2010  
 Page No : 2

Start Time	TH-5 Westbound					CSAH-17 / Lake Elmo Ave. Northbound					TH-5 Eastbound					Int. Total
	Left	Thru	Right	Peds	App. Total	Left	Thru	Right	Peds	App. Total	Left	Thru	Right	Peds	App. Total	
Peak Hour Analysis From 06:00 to 09:00 - Peak 1 of 1																
Peak Hour for Entire Intersection Begins at 07:00																
07:00	6	127	0	0	133	19	0	12	0	31	0	48	7	0	55	219
07:15	6	105	0	0	111	14	0	31	0	45	0	70	4	0	74	230
07:30	13	136	0	0	149	24	0	34	0	58	0	81	15	0	96	303
07:45	17	125	0	0	142	30	0	14	0	44	0	75	6	0	81	267
Total Volume	42	493	0	0	535	87	0	91	0	178	0	274	32	0	306	1019
% App. Total	7.9	92.1	0	0		48.9	0	51.1	0		0	89.5	10.5	0		
PHF	.618	.906	.000	.000	.898	.725	.000	.669	.000	.767	.000	.846	.533	.000	.797	.841





# MINNESOTA DEPT OF TRANSPORTATION

## TRAFFIC DATA COLLECTION - METRO

TH-5 at CSAH-17 /Lake Elmo Ave., E jct  
 Ref.Pt.: 198.289  
 JAMAR # 631 RE  
 TURN MOVEMENT COUNT

File Name : th-5 at csah-17 e jct 2010  
 Site Code : 00000000  
 Start Date : 1/13/2010  
 Page No : 3

Start Time	TH-5 Westbound					CSAH-17 / Lake Elmo Ave. Northbound					TH-5 Eastbound					Int. Total
	Left	Thru	Right	Peds	App. Total	Left	Thru	Right	Peds	App. Total	Left	Thru	Right	Peds	App. Total	
Peak Hour Analysis From 14:45 to 17:45 - Peak 1 of 1																
Peak Hour for Entire Intersection Begins at 15:30																
15:30	33	76	0	0	109	17	0	30	0	47	0	115	32	0	147	303
15:45	27	90	0	0	117	14	0	29	0	43	0	133	26	0	159	319
16:00	35	76	0	0	111	18	0	22	0	40	0	124	33	0	157	308
16:15	23	91	0	0	114	18	0	26	0	44	0	127	20	0	147	305
Total Volume	118	333	0	0	451	67	0	107	0	174	0	499	111	0	610	1235
% App. Total	26.2	73.8	0	0		38.5	0	61.5	0		0	81.8	18.2	0		
PHF	.843	.915	.000	.000	.964	.931	.000	.892	.000	.926	.000	.938	.841	.000	.959	.968

