

Associated Consulting Services (ACS)  
 Roseville, MN 55113  
 -- TRAFFIC DATA --

MN-51 at Rome Ave\_2022

City: St Paul

Data Prepared By: ACS

TURNING MOVEMENT COUNT

File Name : MN-51 at Rome Ave\_2022

Site Code :

Start Date : 6/1/2022

Page No : 1

Groups Printed- Cars - Trucks

Start Time	MN-51 Southbound				Westbound				MN-51 Northbound				Rome Ave Eastbound				Int. Total
	Left	Thru	Right	Peds	Left	Thru	Right	Peds	Left	Thru	Right	Peds	Left	Thru	Right	Peds	
06:00	0	25	0	0	0	0	0	0	0	29	0	0	1	0	0	3	58
06:15	0	37	0	0	0	0	0	0	0	30	0	0	0	0	0	3	70
06:30	0	37	0	0	0	0	0	0	0	49	0	0	0	0	0	0	86
06:45	0	61	0	0	0	0	0	0	0	55	0	0	2	0	0	4	122
Total	0	160	0	0	0	0	0	0	0	163	0	0	3	0	0	10	336
07:00	0	47	0	0	0	0	0	0	0	65	0	0	1	0	0	2	115
07:15	0	84	2	0	0	0	0	0	0	80	0	0	0	0	0	4	170
07:30	0	111	0	0	0	0	0	0	0	82	0	0	1	0	0	0	194
07:45	0	99	2	0	0	0	0	0	0	92	0	1	2	0	2	6	204
Total	0	341	4	0	0	0	0	0	0	319	0	1	4	0	2	12	683
08:00	0	126	3	0	0	0	0	0	1	121	0	0	1	0	3	10	265
08:15	0	177	1	0	0	0	0	0	6	131	0	0	0	0	0	10	325
08:30	0	104	3	0	0	0	0	0	3	132	0	1	3	0	1	0	247
08:45	0	104	5	0	0	0	0	0	2	116	0	0	0	0	2	2	231
Total	0	511	12	0	0	0	0	0	12	500	0	1	4	0	6	22	1068
09:00	0	83	3	0	0	0	0	0	7	114	0	0	1	0	3	1	212
09:15	0	104	5	0	0	0	0	0	11	89	0	0	1	0	0	0	210
09:30	0	99	4	0	0	0	0	0	6	92	0	0	2	0	1	1	205
09:45	0	62	3	0	0	0	0	0	2	80	0	0	2	0	2	3	154
Total	0	348	15	0	0	0	0	0	26	375	0	0	6	0	6	5	781
10:00	0	82	0	0	0	0	0	0	1	71	0	0	0	0	1	6	161
10:15	0	75	1	0	0	0	0	0	1	82	0	0	0	0	0	0	159
10:30	0	84	2	0	0	0	0	0	1	90	0	0	0	0	2	4	183
10:45	0	82	1	0	0	0	0	0	0	101	0	0	0	0	0	2	186
Total	0	323	4	0	0	0	0	0	3	344	0	0	0	0	3	12	689
11:00	0	95	0	0	0	0	0	0	0	84	0	0	3	0	0	7	189
11:15	0	81	4	0	0	0	0	0	1	96	0	0	1	0	2	1	186
11:30	0	90	1	0	0	0	0	0	2	87	0	0	1	0	0	7	188
11:45	0	115	1	0	0	0	0	0	1	124	0	0	4	0	1	5	251
Total	0	381	6	0	0	0	0	0	4	391	0	0	9	0	3	20	814
12:00	0	110	2	0	0	0	0	0	2	90	0	0	3	0	2	5	214
12:15	0	88	1	0	0	0	0	0	1	74	0	0	0	0	1	2	167
12:30	0	87	2	0	0	0	0	0	1	79	0	0	2	0	1	4	176
12:45	0	101	1	0	0	0	0	0	0	92	0	0	0	0	0	1	195
Total	0	386	6	0	0	0	0	0	4	335	0	0	5	0	4	12	752
13:00	0	95	2	0	0	0	0	0	0	122	0	0	1	0	1	0	221
13:15	0	110	0	0	0	0	0	0	2	105	0	0	0	0	2	3	222
13:30	0	109	0	0	0	0	0	0	3	94	0	0	0	0	0	0	206
13:45	0	88	2	0	0	0	0	0	1	95	0	0	1	0	2	4	193
Total	0	402	4	0	0	0	0	0	6	416	0	0	2	0	5	7	842
14:00	0	114	1	0	0	0	0	0	0	91	0	0	0	0	1	2	209
14:15	0	115	0	0	0	0	0	0	2	101	0	0	2	0	2	2	224
14:30	0	95	5	0	0	0	0	0	3	106	0	0	2	0	1	3	215
14:45	0	147	4	0	0	0	0	0	1	112	0	0	0	0	3	0	267
Total	0	471	10	0	0	0	0	0	6	410	0	0	4	0	7	7	915

Associated Consulting Services (ACS)  
 Roseville, MN 55113  
 -- TRAFFIC DATA --

MN-51 at Rome Ave\_2022

City: St Paul

Data Prepared By: ACS

TURNING MOVEMENT COUNT

File Name : MN-51 at Rome Ave\_2022

Site Code :

Start Date : 6/1/2022

Page No : 2

Groups Printed- Cars - Trucks

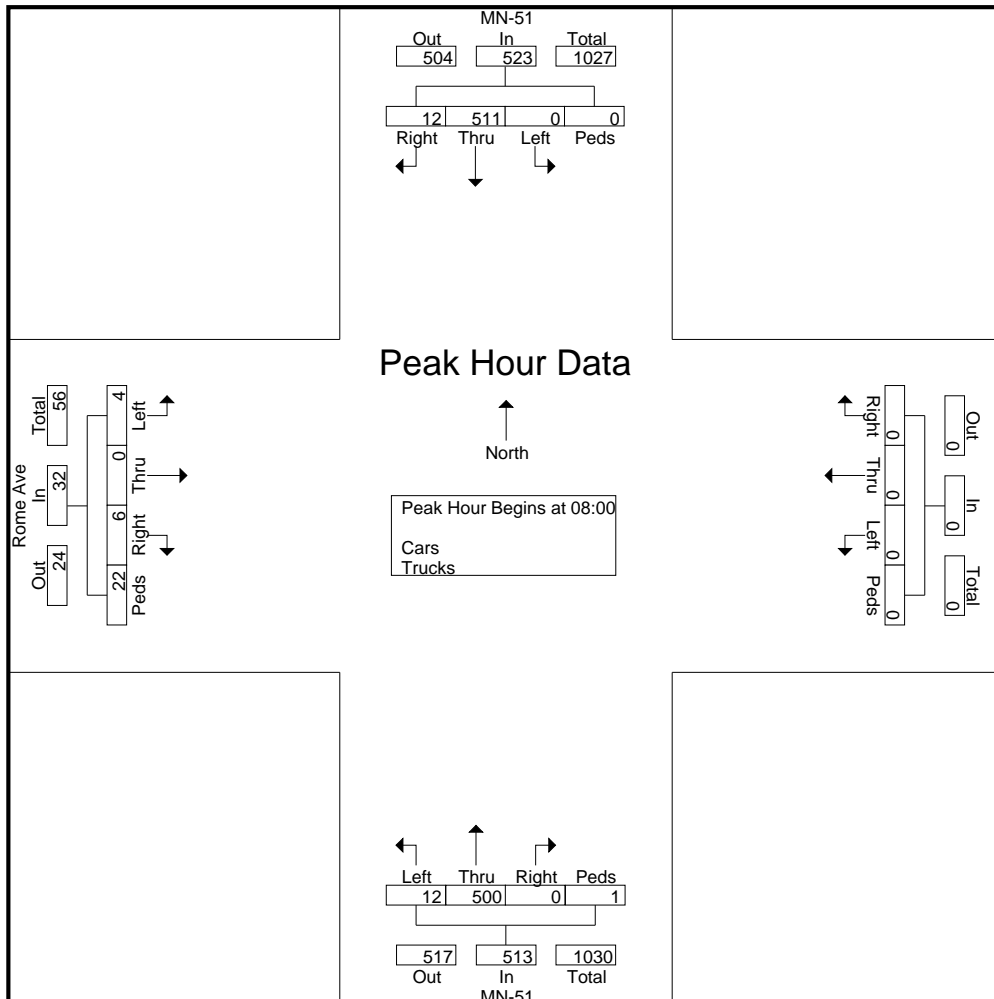
Start Time	MN-51 Southbound				Westbound				MN-51 Northbound				Rome Ave Eastbound				Int. Total
	Left	Thru	Right	Peds	Left	Thru	Right	Peds	Left	Thru	Right	Peds	Left	Thru	Right	Peds	
15:00	0	128	5	0	0	0	0	0	8	183	0	0	0	0	4	61	389
15:15	0	116	4	0	0	0	0	0	1	127	0	0	0	0	1	14	263
15:30	0	132	6	0	0	0	0	0	1	125	0	0	3	0	1	5	273
15:45	0	131	6	0	0	0	0	0	5	132	0	0	1	0	1	0	276
Total	0	507	21	0	0	0	0	0	15	567	0	0	4	0	7	80	1201
16:00	0	160	3	0	0	0	0	0	9	151	0	0	2	0	1	3	329
16:15	0	144	4	0	0	0	0	0	1	135	0	0	0	0	0	2	286
16:30	0	126	0	0	0	0	0	0	1	135	0	0	1	0	1	0	264
16:45	0	161	4	0	0	0	0	0	2	148	0	0	1	0	2	2	320
Total	0	591	11	0	0	0	0	0	13	569	0	0	4	0	4	7	1199
17:00	0	140	1	0	0	0	0	0	0	135	0	0	2	0	0	2	280
17:15	0	148	0	0	0	0	0	0	1	121	0	1	1	0	0	0	272
17:30	0	127	6	0	0	0	0	0	1	132	0	0	3	0	1	0	270
17:45	0	133	1	0	0	0	0	0	1	123	0	0	0	0	1	4	263
Total	0	548	8	0	0	0	0	0	3	511	0	1	6	0	2	6	1085
Grand Total	0	4969	101	0	0	0	0	0	92	4900	0	3	51	0	49	200	10365
Apprch %	0	98	2	0	0	0	0	0	1.8	98.1	0	0.1	17	0	16.3	66.7	
Total %	0	47.9	1	0	0	0	0	0	0.9	47.3	0	0	0.5	0	0.5	1.9	
Cars	0	4685	80	0	0	0	0	0	70	4585	0	3	49	0	45	200	9717
% Cars	0	94.3	79.2	0	0	0	0	0	76.1	93.6	0	100	96.1	0	91.8	100	93.7
Trucks	0	284	21	0	0	0	0	0	22	315	0	0	2	0	4	0	648
% Trucks	0	5.7	20.8	0	0	0	0	0	23.9	6.4	0	0	3.9	0	8.2	0	6.3

Associated Consulting Services (ACS)  
 Roseville, MN 55113  
 -- TRAFFIC DATA --

MN-51 at Rome Ave\_2022  
 City: St Paul  
 Data Prepared By: ACS  
 TURNING MOVEMENT COUNT

File Name : MN-51 at Rome Ave\_2022  
 Site Code :  
 Start Date : 6/1/2022  
 Page No : 3

Start Time	MN-51 Southbound					Westbound					MN-51 Northbound					Rome Ave Eastbound					Int. Total
	Left	Thru	Right	Peds	App. Total	Left	Thru	Right	Peds	App. Total	Left	Thru	Right	Peds	App. Total	Left	Thru	Right	Peds	App. Total	
Peak Hour Analysis From 06:00 to 11:45 - Peak 1 of 1																					
Peak Hour for Entire Intersection Begins at 08:00																					
08:00	0	126	3	0	129	0	0	0	0	0	1	121	0	0	122	1	0	3	10	14	265
08:15	0	177	1	0	178	0	0	0	0	0	6	131	0	0	137	0	0	0	10	10	325
08:30	0	104	3	0	107	0	0	0	0	0	3	132	0	1	136	3	0	1	0	4	247
08:45	0	104	5	0	109	0	0	0	0	0	2	116	0	0	118	0	0	2	2	4	231
Total Volume	0	511	12	0	523	0	0	0	0	0	12	500	0	1	513	4	0	6	22	32	1068
% App. Total	0	97.7	2.3	0		0	0	0	0		2.3	97.5	0	0.2		12.5	0	18.8	68.8		
PHF	.000	.722	.600	.000	.735	.000	.000	.000	.000	.000	.500	.947	.000	.250	.936	.333	.000	.500	.550	.571	.822



Associated Consulting Services (ACS)  
 Roseville, MN 55113  
 -- TRAFFIC DATA --

MN-51 at Rome Ave\_2022  
 City: St Paul  
 Data Prepared By: ACS  
 TURNING MOVEMENT COUNT

File Name : MN-51 at Rome Ave\_2022  
 Site Code :  
 Start Date : 6/1/2022  
 Page No : 4

Start Time	MN-51 Southbound					Westbound					MN-51 Northbound					Rome Ave Eastbound					Int. Total
	Left	Thru	Right	Peds	App. Total	Left	Thru	Right	Peds	App. Total	Left	Thru	Right	Peds	App. Total	Left	Thru	Right	Peds	App. Total	
Peak Hour Analysis From 12:00 to 17:45 - Peak 1 of 1																					
Peak Hour for Entire Intersection Begins at 15:00																					
15:00	0	128	5	0	133	0	0	0	0	0	8	183	0	0	191	0	0	4	61	65	389
15:15	0	116	4	0	120	0	0	0	0	0	1	127	0	0	128	0	0	1	14	15	263
15:30	0	132	6	0	138	0	0	0	0	0	1	125	0	0	126	3	0	1	5	9	273
15:45	0	131	6	0	137	0	0	0	0	0	5	132	0	0	137	1	0	1	0	2	276
Total Volume	0	507	21	0	528	0	0	0	0	0	15	567	0	0	582	4	0	7	80	91	1201
% App. Total	0	96	4	0		0	0	0	0		2.6	97.4	0	0		4.4	0	7.7	87.9		
PHF	.000	.960	.875	.000	.957	.000	.000	.000	.000	.000	.469	.775	.000	.000	.762	.333	.000	.438	.328	.350	.772

