

106_TH 61 and Vermillions Street
Ref. Pt: 116+00.128
data by: Alliant Inc
TURN MOVEMENT COUNT

File Name : 106_TH 61 and Vermillion Street
Site Code : 00000106
Start Date : 4/9/2019
Page No : 1

Groups Printed- Class 1 - Class 2

Start Time	TH 61 Southbound					Westbound					TH 61 Northbound					Vermillion Street Eastbound					Int. Total
	Other	Rght	Thru	Left	App. Total	Other	Rght	Thru	Left	App. Total	Other	Rght	Thru	Left	App. Total	Other	Rght	Thru	Left	App. Total	
06:00 AM	0	31	91	0	122	0	0	0	0	0	0	0	145	24	169	0	14	0	30	44	335
06:15 AM	0	27	112	0	139	0	0	0	0	0	0	0	186	27	213	0	15	0	27	42	394
06:30 AM	0	44	122	0	166	0	0	0	0	0	0	0	221	38	259	0	26	0	36	62	487
06:45 AM	0	33	152	0	185	0	0	0	0	0	0	0	236	39	275	0	28	0	54	82	542
Total	0	135	477	0	612	0	0	0	0	0	0	0	788	128	916	0	83	0	147	230	1758
07:00 AM	0	27	115	0	142	0	0	0	0	0	0	0	261	60	321	1	26	0	46	73	536
07:15 AM	0	37	119	0	156	0	0	0	0	0	0	0	289	62	351	0	22	0	32	54	561
07:30 AM	0	53	159	0	212	0	0	0	0	0	0	0	283	43	326	0	25	0	45	70	608
07:45 AM	0	46	199	0	245	0	0	0	0	0	0	0	223	35	258	0	35	0	42	77	580
Total	0	163	592	0	755	0	0	0	0	0	0	0	1056	200	1256	1	108	0	165	274	2285
08:00 AM	0	37	124	0	161	0	0	0	0	0	0	0	167	28	195	0	38	0	24	62	418
08:15 AM	0	30	133	0	163	0	0	0	0	0	0	0	169	27	196	0	29	0	29	58	417
08:30 AM	0	30	160	0	190	0	0	0	0	0	0	0	200	34	234	0	37	0	31	68	492
08:45 AM	0	37	155	0	192	0	0	0	0	0	0	0	167	28	195	0	40	0	31	71	458
Total	0	134	572	0	706	0	0	0	0	0	0	0	703	117	820	0	144	0	115	259	1785
09:00 AM	0	28	132	0	160	0	0	0	0	0	0	0	163	25	188	0	25	0	32	57	405
09:15 AM	0	24	111	0	135	0	0	0	0	0	0	0	140	32	172	0	16	0	23	39	346
*** BREAK ***																					
Total	0	52	243	0	295	0	0	0	0	0	0	0	303	57	360	0	41	0	55	96	751
*** BREAK ***																					
10:30 AM	0	18	134	0	152	0	0	0	0	0	0	0	135	21	156	0	32	0	26	58	366
10:45 AM	0	26	153	0	179	0	0	0	0	0	0	0	138	26	164	1	32	0	23	56	399
Total	0	44	287	0	331	0	0	0	0	0	0	0	273	47	320	1	64	0	49	114	765
11:00 AM	0	27	178	0	205	0	0	0	0	0	0	0	140	35	175	0	29	0	24	53	433
11:15 AM	0	24	156	0	180	0	0	0	0	0	0	0	149	30	179	0	39	0	16	55	414
11:30 AM	0	30	191	0	221	0	0	0	0	0	0	0	160	31	191	0	34	0	14	48	460
11:45 AM	0	18	158	0	176	0	0	0	0	0	0	0	174	34	208	0	45	0	23	68	452
Total	0	99	683	0	782	0	0	0	0	0	0	0	623	130	753	0	147	0	77	224	1759
12:00 PM	0	18	189	0	207	0	0	0	0	0	0	0	175	29	204	0	34	0	30	64	475
12:15 PM	0	21	172	0	193	0	0	0	0	0	0	0	176	43	219	0	29	0	23	52	464
12:30 PM	0	25	158	0	183	0	0	0	0	0	0	0	189	38	227	0	39	0	17	56	466
12:45 PM	0	22	198	0	220	0	0	0	0	0	0	0	181	32	213	0	35	0	26	61	494
Total	0	86	717	0	803	0	0	0	0	0	0	0	721	142	863	0	137	0	96	233	1899
01:00 PM	0	30	213	0	243	0	0	0	0	0	0	0	201	29	230	0	41	0	25	66	539
01:15 PM	0	23	181	0	204	0	0	0	0	0	0	0	164	27	191	0	35	0	28	63	458
*** BREAK ***																					
Total	0	53	394	0	447	0	0	0	0	0	0	0	365	56	421	0	76	0	53	129	997
*** BREAK ***																					
02:30 PM	0	39	273	0	312	0	0	0	0	0	0	0	164	28	192	0	36	0	36	72	576
02:45 PM	1	34	253	0	288	0	0	0	0	0	0	0	188	41	229	0	54	0	36	90	607
Total	1	73	526	0	600	0	0	0	0	0	0	0	352	69	421	0	90	0	72	162	1183
03:00 PM	0	29	262	0	291	0	0	0	0	0	0	0	245	45	290	0	65	0	28	93	674
03:15 PM	3	51	259	0	313	0	0	0	0	0	0	0	221	55	276	0	49	0	34	83	672
03:30 PM	3	47	277	0	327	0	0	0	0	0	0	0	255	31	286	0	61	0	40	101	714
03:45 PM	0	48	258	0	306	0	0	0	0	0	0	0	222	57	279	0	51	0	45	96	681
Total	6	175	1056	0	1237	0	0	0	0	0	0	0	943	188	1131	0	226	0	147	373	2741

106_TH 61 and Vermillions Street
Ref. Pt: 116+00.128
data by: Alliant Inc
TURN MOVEMENT COUNT

File Name : 106_TH 61 and Vermillion Street
Site Code : 00000106
Start Date : 4/9/2019
Page No : 2

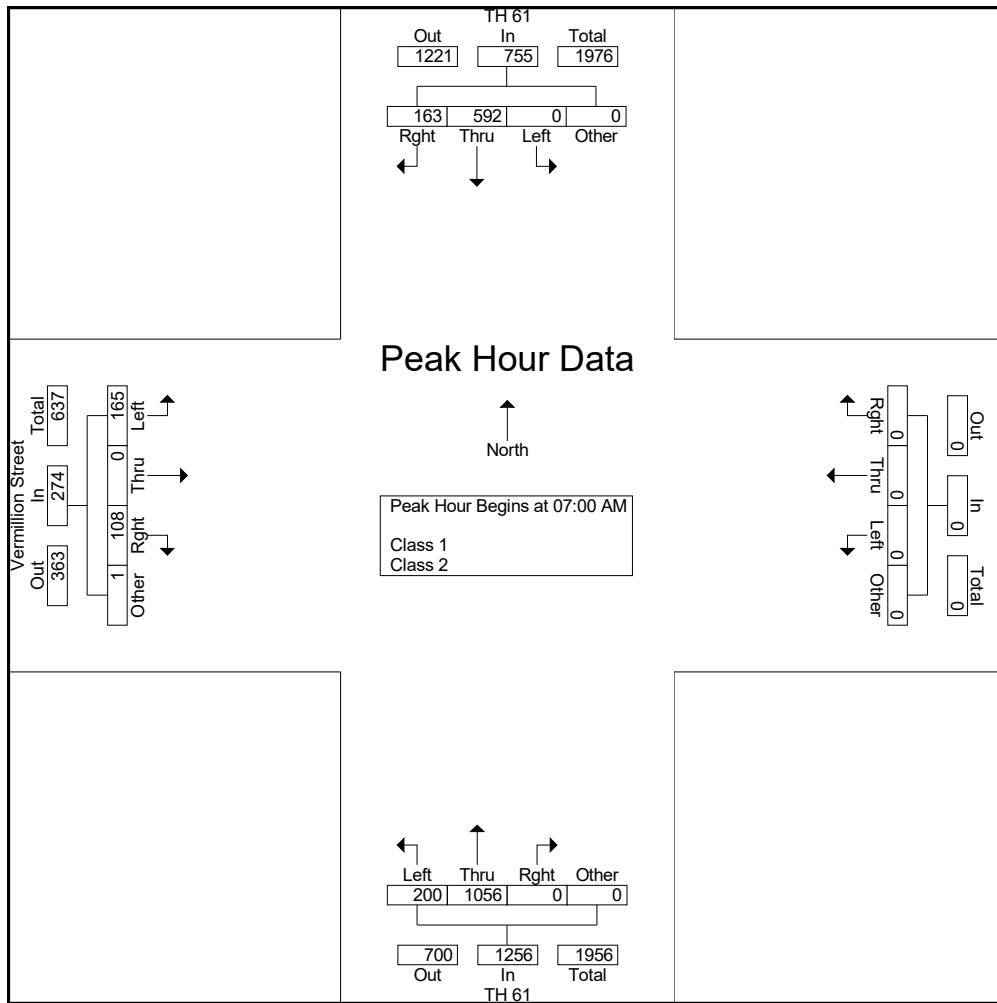
Groups Printed- Class 1 - Class 2

Start Time	TH 61 Southbound					Westbound					TH 61 Northbound					Vermillion Street Eastbound					Int. Total
	Other	Rght	Thru	Left	App. Total	Other	Rght	Thru	Left	App. Total	Other	Rght	Thru	Left	App. Total	Other	Rght	Thru	Left	App. Total	
04:00 PM	2	47	264	0	313	0	0	0	0	0	0	0	233	55	288	0	60	0	49	109	710
04:15 PM	0	53	275	0	328	0	0	0	0	0	0	0	222	49	271	0	58	0	40	98	697
04:30 PM	1	45	288	0	334	0	0	0	0	0	0	0	236	44	280	1	61	0	42	104	718
04:45 PM	0	42	288	0	330	0	0	0	0	0	0	0	245	57	302	2	68	0	56	126	758
Total	3	187	1115	0	1305	0	0	0	0	0	0	0	936	205	1141	3	247	0	187	437	2883
05:00 PM	1	47	322	0	370	0	0	0	0	0	0	0	255	38	293	0	73	0	49	122	785
05:15 PM	1	43	309	0	353	0	0	0	0	0	0	0	222	57	279	1	67	0	45	113	745
05:30 PM	0	48	305	0	353	0	0	0	0	0	0	0	225	35	260	0	54	0	44	98	711
05:45 PM	2	41	265	0	308	0	0	0	0	0	0	0	226	52	278	2	70	0	41	113	699
Total	4	179	1201	0	1384	0	0	0	0	0	0	0	928	182	1110	3	264	0	179	446	2940
Grand Total	14	1380	7863	0	9257	0	0	0	0	0	0	0	7991	1521	9512	8	1627	0	1342	2977	21746
Apprch %	0.2	14.9	84.9	0		0	0	0	0		0	0	84	16		0.3	54.7	0	45.1		
Total %	0.1	6.3	36.2	0	42.6	0	0	0	0	0	0	0	36.7	7	43.7	0	7.5	0	6.2	13.7	
Class 1	12	1229	7390	0	8631	0	0	0	0	0	0	0	7562	1436	8998	7	1541	0	1212	2760	20389
% Class 1	85.7	89.1	94	0	93.2	0	0	0	0	0	0	0	94.6	94.4	94.6	87.5	94.7	0	90.3	92.7	93.8
Class 2	2	151	473	0	626	0	0	0	0	0	0	0	429	85	514	1	86	0	130	217	1357
% Class 2	14.3	10.9	6	0	6.8	0	0	0	0	0	0	0	5.4	5.6	5.4	12.5	5.3	0	9.7	7.3	6.2

106_TH 61 and Vermillions Street
Ref. Pt: 116+00.128
data by: Alliant Inc
TURN MOVEMENT COUNT

File Name : 106_TH 61 and Vermillion Street
Site Code : 00000106
Start Date : 4/9/2019
Page No : 3

Start Time	TH 61 Southbound					Westbound					TH 61 Northbound					Vermillion Street Eastbound					Int. Total
	Other	Right	Thru	Left	App. Total	Other	Right	Thru	Left	App. Total	Other	Right	Thru	Left	App. Total	Other	Right	Thru	Left	App. Total	
Peak Hour Analysis From 06:00 AM to 11:45 AM - Peak 1 of 1																					
Peak Hour for Entire Intersection Begins at 07:00 AM																					
07:00 AM	0	27	115	0	142	0	0	0	0	0	0	0	261	60	321	1	26	0	46	73	536
07:15 AM	0	37	119	0	156	0	0	0	0	0	0	0	289	62	351	0	22	0	32	54	561
07:30 AM	0	53	159	0	212	0	0	0	0	0	0	0	283	43	326	0	25	0	45	70	608
07:45 AM	0	46	199	0	245	0	0	0	0	0	0	0	223	35	258	0	35	0	42	77	580
Total Volume	0	163	592	0	755	0	0	0	0	0	0	0	1056	200	1256	1	108	0	165	274	2285
% App. Total	0	21.6	78.4	0		0	0	0	0	0	0	0	84.1	15.9		0.4	39.4	0	60.2		
PHF	.000	.769	.744	.000	.770	.000	.000	.000	.000	.000	.000	.000	.913	.806	.895	.250	.771	.000	.897	.890	.940



106_TH 61 and Vermillions Street
Ref. Pt: 116+00.128
data by: Alliant Inc
TURN MOVEMENT COUNT

File Name : 106_TH 61 and Vermillion Street
Site Code : 00000106
Start Date : 4/9/2019
Page No : 4

Start Time	TH 61 Southbound					Westbound					TH 61 Northbound					Vermillion Street Eastbound					Int. Total
	Other	Rght	Thru	Left	App. Total	Other	Rght	Thru	Left	App. Total	Other	Rght	Thru	Left	App. Total	Other	Rght	Thru	Left	App. Total	
Peak Hour Analysis From 12:00 PM to 05:45 PM - Peak 1 of 1																					
Peak Hour for Entire Intersection Begins at 04:30 PM																					
04:30 PM	1	45	288	0	334	0	0	0	0	0	0	0	236	44	280	1	61	0	42	104	718
04:45 PM	0	42	288	0	330	0	0	0	0	0	0	0	245	57	302	2	68	0	56	126	758
05:00 PM	1	47	322	0	370	0	0	0	0	0	0	0	255	38	293	0	73	0	49	122	785
05:15 PM	1	43	309	0	353	0	0	0	0	0	0	0	222	57	279	1	67	0	45	113	745
Total Volume	3	177	1207	0	1387	0	0	0	0	0	0	0	958	196	1154	4	269	0	192	465	3006
% App. Total	0.2	12.8	87	0		0	0	0	0	0	0	0	83	17		0.9	57.8	0	41.3		
PHF	.750	.941	.937	.000	.937	.000	.000	.000	.000	.000	.000	.000	.939	.860	.955	.500	.921	.000	.857	.923	.957

