

Location: TH 65 at I-694 South Ramp
 Count Date: 4/27/2017
 Counted By: JDA



TURNING MOVEMENT COUNT DATA
 All Vehicles

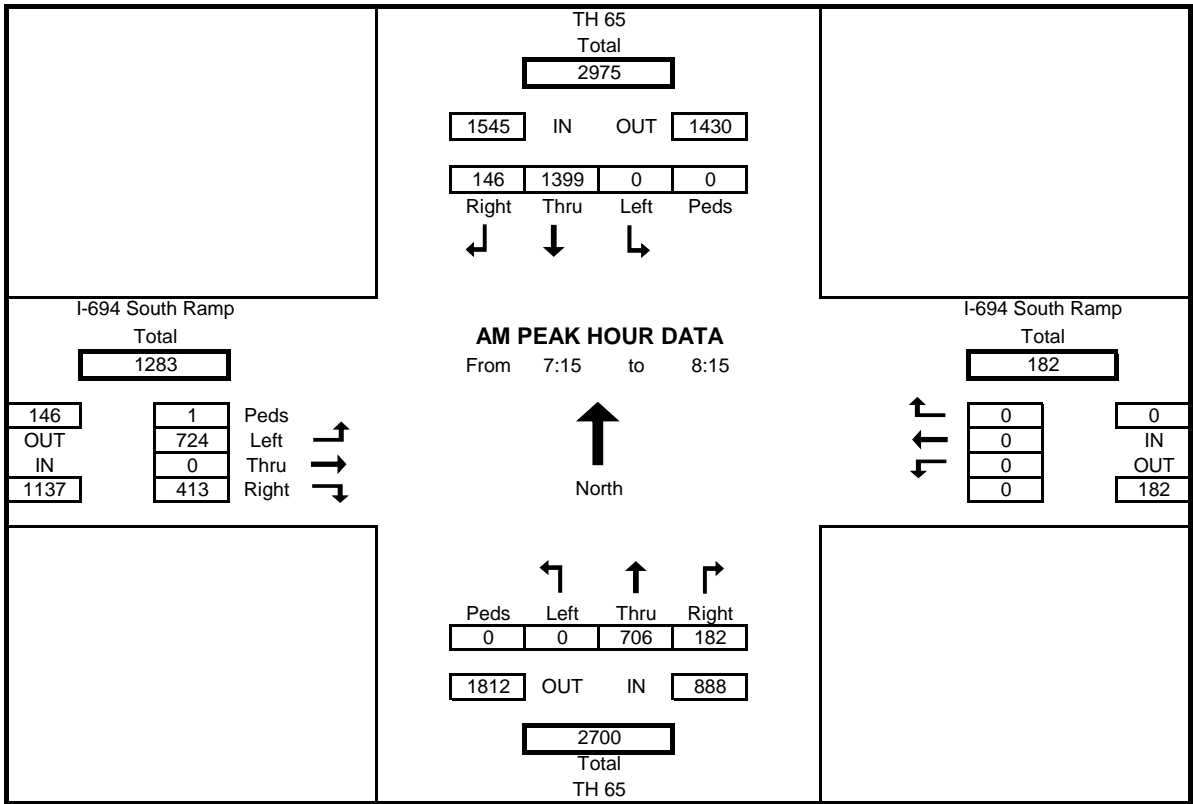
Start Time	TH 65				I-694 South Ramp				TH 65				I-694 South Ramp				Int. Total
	Southbound				Westbound				Northbound				Eastbound				
	Left	Thru	Right	Peds	Left	Thru	Right	Peds	Left	Thru	Right	Peds	Left	Thru	Right	Peds	
6:00	0	102	60	0	0	0	0	0	0	67	29	0	66	0	23	0	347
6:15	0	163	114	0	0	0	0	0	0	89	64	0	86	0	32	0	548
6:30	0	200	97	0	0	0	0	0	0	144	57	0	119	0	39	0	656
6:45	0	241	97	0	0	0	0	0	0	145	38	0	135	0	58	0	714
7:00	0	239	130	0	0	0	0	0	0	138	51	0	180	0	66	0	804
7:15	0	330	59	0	0	0	0	0	0	170	39	0	186	0	80	1	864
7:30	0	347	46	0	0	0	0	0	0	198	56	0	154	0	113	0	914
7:45	0	368	28	0	0	0	0	0	0	167	49	0	228	0	92	0	932
8:00	0	354	13	0	0	0	0	0	0	171	38	0	156	0	128	0	860
8:15	0	274	50	0	0	0	0	0	0	165	33	0	144	0	103	0	769
8:30	0	201	89	0	0	0	0	0	0	158	44	0	143	0	89	0	724
8:45	0	227	87	0	0	0	0	0	0	186	52	0	165	0	73	0	790
9:00	0	167	104	0	0	0	0	0	0	166	35	0	115	0	96	0	683
9:15	0	182	53	0	0	0	0	0	0	172	55	0	100	0	72	2	634
9:30	0	158	69	0	0	0	0	0	0	169	53	0	121	0	81	0	651
9:45	0	158	56	0	0	0	0	0	0	157	53	0	123	0	96	0	643
10:00	0	172	9	1	0	0	0	0	0	154	70	0	107	0	100	0	612
10:15	0	148	66	0	0	0	0	0	0	168	74	0	85	0	92	0	633
10:30	0	157	49	0	0	0	0	0	0	167	64	0	103	0	73	0	613
10:45	0	166	63	0	0	0	0	0	0	173	45	0	106	0	95	0	648
11:00	0	161	65	0	0	0	0	0	0	183	82	0	113	0	90	0	694
11:15	0	221	66	0	0	0	0	0	0	202	54	0	112	0	92	0	747
11:30	0	220	71	0	0	0	0	0	0	236	90	0	101	0	122	0	840
11:45	0	210	24	0	0	0	0	0	0	231	69	0	128	0	96	0	758
12:00	0	213	74	0	0	0	0	0	0	245	77	0	91	0	119	0	819
12:15	0	207	56	0	0	0	0	0	0	234	67	0	116	0	104	0	784
12:30	0	204	65	0	0	0	0	0	0	267	78	0	111	0	99	0	824
12:45	0	229	32	1	0	0	0	0	0	265	111	0	119	0	92	1	848
13:00	0	190	65	0	0	0	0	0	0	262	79	0	132	0	109	0	837
13:15	0	214	68	0	0	0	0	0	0	263	75	0	125	0	108	0	853
13:30	0	205	33	0	0	0	0	0	0	250	83	0	130	0	84	0	785
13:45	0	203	58	0	0	0	0	0	0	219	74	0	146	0	84	0	784
14:00	0	192	74	0	0	0	0	0	0	239	94	0	160	0	103	0	862
14:15	0	198	68	0	0	0	0	0	0	284	101	0	172	0	121	0	944
14:30	0	209	85	0	0	0	0	0	0	319	72	0	159	0	100	0	944
14:45	0	216	27	0	0	0	0	0	0	311	56	0	198	0	91	0	899
15:00	0	204	91	1	0	0	0	0	0	294	91	0	218	0	115	1	1013
15:15	0	212	66	1	0	0	0	0	0	321	68	0	207	0	106	1	980
15:30	0	238	55	0	0	0	0	0	0	338	36	0	232	0	82	0	981
15:45	0	208	75	0	0	0	0	0	0	330	158	0	248	0	114	0	1133
16:00	0	224	91	0	0	0	0	0	0	409	7	0	261	0	139	2	1131
16:15	0	248	26	2	0	0	0	0	0	372	75	0	272	0	123	2	1116
16:30	0	252	45	0	0	0	0	0	0	379	81	0	306	0	116	1	1179
16:45	0	209	75	0	0	0	0	0	0	371	81	0	332	0	140	0	1208
17:00	0	232	47	0	0	0	0	0	0	382	55	0	255	0	163	0	1134
17:15	0	264	37	2	0	0	0	0	0	366	35	0	298	0	114	2	1114
17:30	0	221	62	0	0	0	0	0	0	401	101	0	268	0	104	0	1157
17:45	0	210	54	0	0	0	0	0	0	326	27	0	252	0	110	0	979
18:00	0	230	91	0	0	0	0	0	0	298	72	0	174	0	169	0	1034
18:15	0	213	41	1	0	0	0	0	0	299	98	0	203	0	104	1	958
18:30	0	212	85	0	0	0	0	0	0	217	61	0	183	0	124	0	882
18:45	0	230	23	0	0	0	0	0	0	289	73	0	157	0	113	0	885
Total	0	11253	3234	9	0	0	0	0	0	12526	3380	0	8601	0	5151	14	44145
Cars+	0	11019	3074	6	0	0	0	0	0	12280	3256	0	8300	0	5028	9	42957
Trucks	0	234	160	3	0	0	0	0	0	246	124	0	301	0	123	5	1188
% Trucks	0.0	2.1	5.2	50.0	0.0	0.0	0.0	0.0	0.0	2.0	3.8	0.0	3.6	0.0	2.4	55.6	2.8
		2.8				0.0				2.4				3.2			

Location: TH 65 at I-694 South Ramp
 Count Date: 4/27/2017
 Counted By: JDA



AM PEAK HOUR TURNING MOVEMENT DATA
 All Vehicles

Start Time	TH 65				I-694 South Ramp				TH 65				I-694 South Ramp				Int. Total
	Southbound				Westbound				Northbound				Eastbound				
	Left	Thru	Right	Peds	Left	Thru	Right	Peds	Left	Thru	Right	Peds	Left	Thru	Right	Peds	
7:15	0	330	59	0	0	0	0	0	0	170	39	0	186	0	80	1	864
7:30	0	347	46	0	0	0	0	0	0	198	56	0	154	0	113	0	914
7:45	0	368	28	0	0	0	0	0	0	167	49	0	228	0	92	0	932
8:00	0	354	13	0	0	0	0	0	0	171	38	0	156	0	128	0	860
Total	0	1399	146	0	0	0	0	0	0	706	182	0	724	0	413	1	3570
% App. Total	0.0	90.6	9.4	0.0	0.0	0.0	0.0	0.0	0.0	45.7	11.8	0.0	46.9	0.0	26.7	0.1	
PHF	0.000	0.950	0.619	0.000	0.000	0.000	0.000	0.000	0.000	0.891	0.813	0.000	0.794	0.000	0.807	0.250	0.958
% Trucks	0.0	2.1	9.0	0.0	0.0	0.0	0.0	0.0	0.0	4.9	8.3	0.0	2.3	0.0	3.3	0.0	3.4
	2.7				0.0				5.6				2.6				

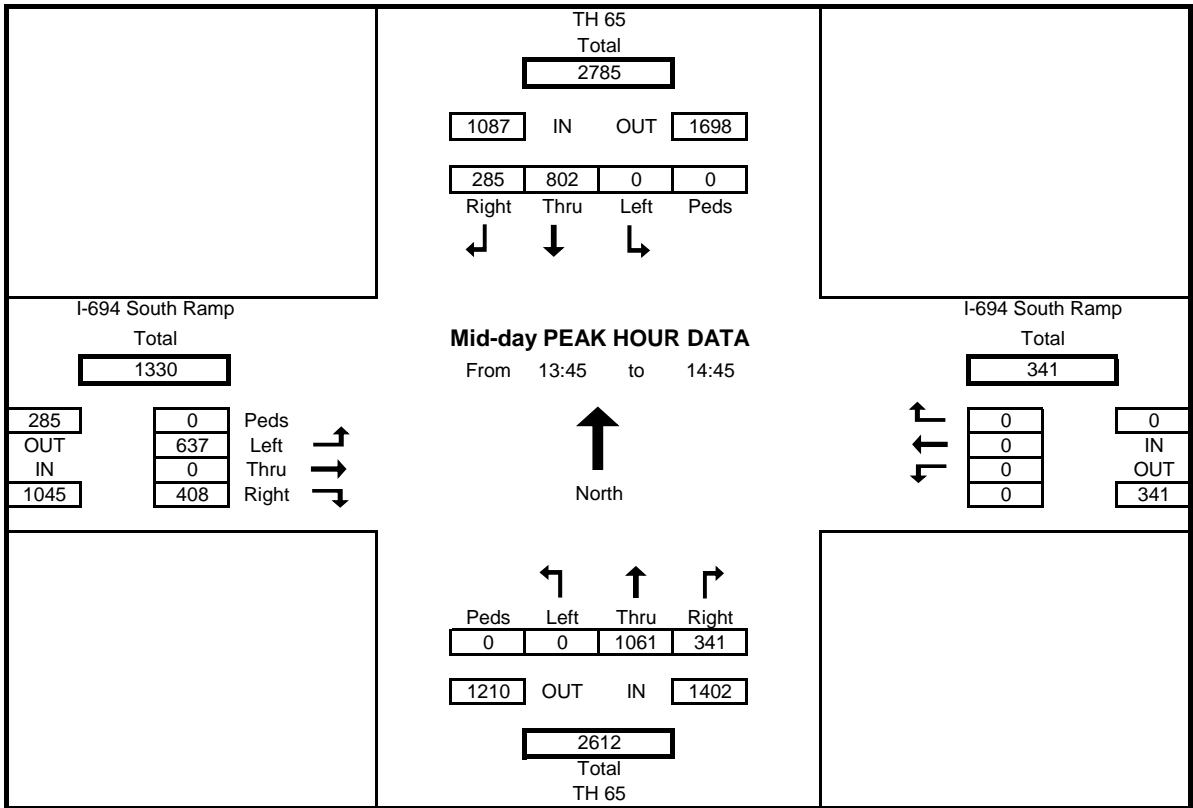


Location: TH 65 at I-694 South Ramp
 Count Date: 4/27/2017
 Counted By: JDA



Mid-Day PEAK HOUR TURNING MOVEMENT DATA
 All Vehicles

Start Time	TH 65				I-694 South Ramp				TH 65				I-694 South Ramp				Int. Total
	Southbound				Westbound				Northbound				Eastbound				
	Left	Thru	Right	Peds	Left	Thru	Right	Peds	Left	Thru	Right	Peds	Left	Thru	Right	Peds	
13:45	0	203	58	0	0	0	0	0	0	219	74	0	146	0	84	0	784
14:00	0	192	74	0	0	0	0	0	0	239	94	0	160	0	103	0	862
14:15	0	198	68	0	0	0	0	0	0	284	101	0	172	0	121	0	944
14:30	0	209	85	0	0	0	0	0	0	319	72	0	159	0	100	0	944
Total	0	802	285	0	0	0	0	0	0	1061	341	0	637	0	408	0	3534
% App. Total	0.0	73.8	26.2	0.0	0.0	0.0	0.0	0.0	0.0	97.6	31.4	0.0	58.6	0.0	37.5	0.0	
PHF	0.000	0.959	0.838	0.000	0.000	0.000	0.000	0.000	0.000	0.832	0.844	0.000	0.926	0.000	0.843	0.000	0.936
% Trucks	0.0	2.4	7.5	0.0	0.0	0.0	0.0	0.0	0.0	1.3	1.8	0.0	4.9	0.0	3.0	0.0	2.9
	3.7				0.0				1.4				4.2				



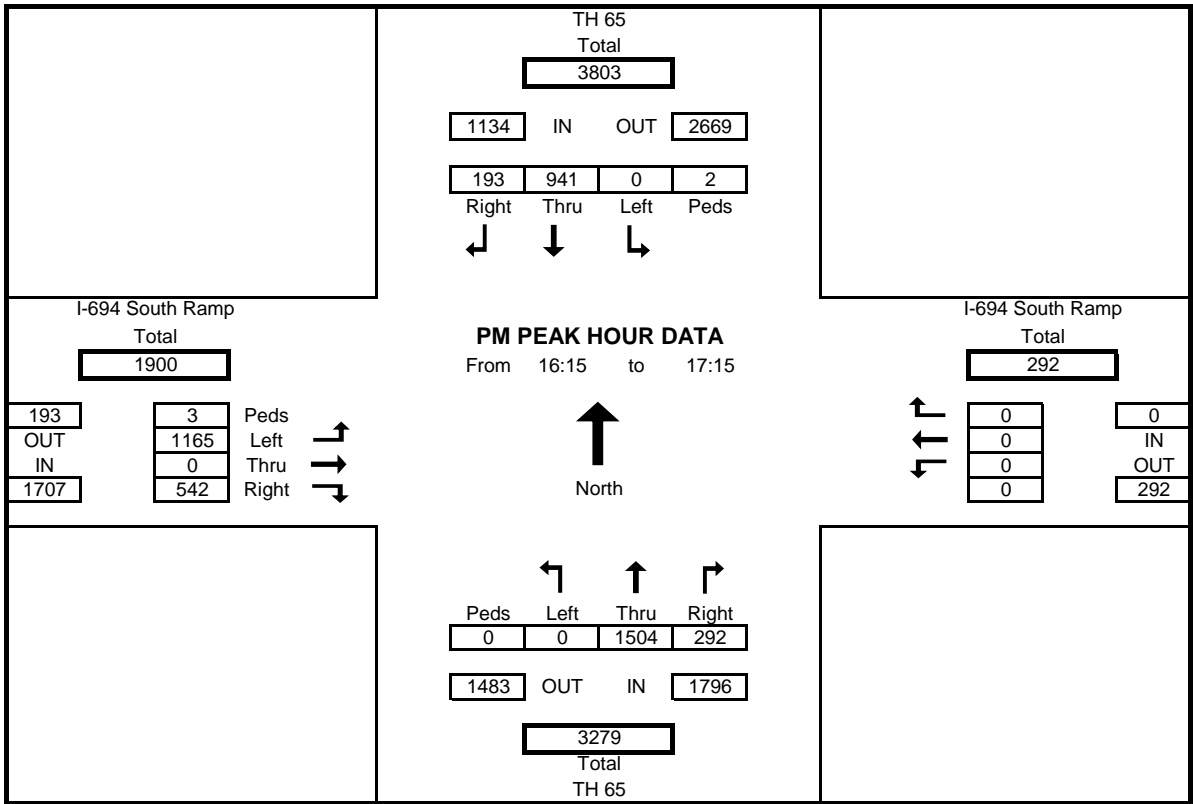
Location: TH 65 at I-694 South Ramp
 Count Date: 4/27/2017
 Counted By: JDA



AM PEAK HOUR TURNING MOVEMENT DATA
 All Vehicles

Start Time	TH 65				I-694 South Ramp				TH 65				I-694 South Ramp				Int. Total
	Southbound				Westbound				Northbound				Eastbound				
	Left	Thru	Right	Peds	Left	Thru	Right	Peds	Left	Thru	Right	Peds	Left	Thru	Right	Peds	
16:15	0	248	26	2	0	0	0	0	0	372	75	0	272	0	123	2	1116
16:30	0	252	45	0	0	0	0	0	0	379	81	0	306	0	116	1	1179
16:45	0	209	75	0	0	0	0	0	0	371	81	0	332	0	140	0	1208
17:00	0	232	47	0	0	0	0	0	0	382	55	0	255	0	163	0	1134
Total	0	941	193	2	0	0	0	0	0	1504	292	0	1165	0	542	3	4637
% App. Total	0.0	82.8	17.0	0.2	0.0	0.0	0.0	0.0	0.0	132.4	25.7	0.0	102.6	0.0	47.7	0.3	
PHF	0.000	0.934	0.643	0.250	0.000	0.000	0.000	0.000	0.000	0.984	0.901	0.000	0.877	0.000	0.831	0.375	0.960

% Trucks	0.0	1.5	2.1	#DIV/0!	0.0	0.0	0.0	0.0	0.0	1.6	5.4	0.0	2.0	0.0	1.3	200.0	1.9
			1.6				0.0				2.2				1.8		



Location: TH 65 at I-694 South Ramp
 Count Date: 4/27/2017
 Counted By: JDA



TURNING MOVEMENT COUNT DATA

Cars+

Start Time	TH 65				I-694 South Ramp				TH 65				I-694 South Ramp				Int. Total
	Southbound				Westbound				Northbound				Eastbound				
	Left	Thru	Right	Peds	Left	Thru	Right	Peds	Left	Thru	Right	Peds	Left	Thru	Right	Peds	
6:00	0	97	57	0	0	0	0	0	0	66	29	0	64	0	21	0	334
6:15	0	159	109	0	0	0	0	0	0	86	64	0	84	0	26	0	528
6:30	0	192	95	0	0	0	0	0	0	140	54	0	114	0	32	0	627
6:45	0	232	96	0	0	0	0	0	0	141	38	0	131	0	56	0	694
7:00	0	233	128	0	0	0	0	0	0	134	51	0	176	0	62	0	784
7:15	0	323	56	0	0	0	0	0	0	162	37	0	183	0	79	1	840
7:30	0	344	37	0	0	0	0	0	0	195	48	0	146	0	111	0	881
7:45	0	356	28	0	0	0	0	0	0	160	49	0	226	0	87	0	906
8:00	0	347	13	0	0	0	0	0	0	156	34	0	153	0	123	0	826
8:15	0	269	41	0	0	0	0	0	0	162	33	0	137	0	98	0	740
8:30	0	198	84	0	0	0	0	0	0	154	44	0	140	0	81	0	701
8:45	0	221	86	0	0	0	0	0	0	181	47	0	157	0	73	0	765
9:00	0	164	97	0	0	0	0	0	0	163	35	0	112	0	93	0	664
9:15	0	177	47	0	0	0	0	0	0	167	53	0	98	0	64	2	606
9:30	0	153	67	0	0	0	0	0	0	163	44	0	113	0	81	0	621
9:45	0	153	50	0	0	0	0	0	0	153	51	0	118	0	92	0	617
10:00	0	170	7	1	0	0	0	0	0	151	67	0	101	0	99	0	595
10:15	0	145	59	0	0	0	0	0	0	165	72	0	82	0	90	0	613
10:30	0	154	46	0	0	0	0	0	0	166	64	0	95	0	70	0	595
10:45	0	163	60	0	0	0	0	0	0	170	45	0	97	0	93	0	628
11:00	0	159	58	0	0	0	0	0	0	181	78	0	107	0	89	0	672
11:15	0	212	66	0	0	0	0	0	0	198	54	0	106	0	86	0	722
11:30	0	213	68	0	0	0	0	0	0	232	89	0	92	0	122	0	816
11:45	0	201	24	0	0	0	0	0	0	223	60	0	120	0	93	0	721
12:00	0	211	70	0	0	0	0	0	0	242	74	0	85	0	117	0	799
12:15	0	204	52	0	0	0	0	0	0	229	67	0	112	0	103	0	767
12:30	0	198	63	0	0	0	0	0	0	259	74	0	107	0	98	0	799
12:45	0	223	28	1	0	0	0	0	0	261	111	0	112	0	91	1	826
13:00	0	184	65	0	0	0	0	0	0	254	73	0	119	0	107	0	802
13:15	0	210	61	0	0	0	0	0	0	258	73	0	120	0	105	0	827
13:30	0	202	28	0	0	0	0	0	0	247	80	0	123	0	81	0	761
13:45	0	198	49	0	0	0	0	0	0	217	74	0	139	0	79	0	756
14:00	0	185	70	0	0	0	0	0	0	236	94	0	151	0	98	0	834
14:15	0	192	68	0	0	0	0	0	0	278	98	0	164	0	121	0	921
14:30	0	208	78	0	0	0	0	0	0	316	69	0	153	0	98	0	922
14:45	0	210	27	0	0	0	0	0	0	307	52	0	191	0	91	0	878
15:00	0	201	89	0	0	0	0	0	0	291	91	0	209	0	113	0	994
15:15	0	209	65	1	0	0	0	0	0	316	66	0	198	0	105	1	959
15:30	0	237	53	0	0	0	0	0	0	333	31	0	221	0	82	0	957
15:45	0	205	75	0	0	0	0	0	0	327	158	0	243	0	112	0	1120
16:00	0	221	89	0	0	0	0	0	0	399	0	0	250	0	138	0	1097
16:15	0	245	24	0	0	0	0	0	0	366	66	0	266	0	122	0	1089
16:30	0	247	45	0	0	0	0	0	0	371	80	0	302	0	116	1	1161
16:45	0	205	75	0	0	0	0	0	0	368	80	0	322	0	138	0	1188
17:00	0	230	45	0	0	0	0	0	0	375	51	0	252	0	159	0	1112
17:15	0	262	34	2	0	0	0	0	0	357	34	0	289	0	114	2	1090
17:30	0	216	58	0	0	0	0	0	0	390	95	0	265	0	104	0	1128
17:45	0	208	52	0	0	0	0	0	0	322	25	0	248	0	110	0	965
18:00	0	224	90	0	0	0	0	0	0	296	72	0	172	0	167	0	1021
18:15	0	212	38	1	0	0	0	0	0	294	94	0	200	0	102	1	940
18:30	0	209	82	0	0	0	0	0	0	215	61	0	179	0	124	0	870
18:45	0	228	22	0	0	0	0	0	0	287	73	0	156	0	112	0	878
Total	0	11019	3074	6	0	0	0	0	0	12280	3256	0	8300	0	5028	9	42957
Cars+	0	11019	3074	6	0	0	0	0	0	12280	3256	0	8300	0	5028	9	42957
Trucks	0	234	160	3	0	0	0	0	0	246	124	0	301	0	123	5	1188
% Trucks	0.0	2.1	5.2	50.0	0.0	0.0	0.0	0.0	0.0	2.0	3.8	0.0	3.6	0.0	2.4	55.6	
		2.8			0.0				2.4				3.2				2.8

Location: TH 65 at I-694 South Ramp
 Count Date: 4/27/2017
 Counted By: JDA



TURNING MOVEMENT COUNT DATA
Heavy Vehicles

Start Time	TH 65				I-694 South Ramp				TH 65				I-694 South Ramp				Int. Total
	Southbound				Westbound				Northbound				Eastbound				
	Left	Thru	Right	Bikes	Left	Thru	Right	Bikes	Left	Thru	Right	Bikes	Left	Thru	Right	Bikes	
6:00	0	5	3	0	0	0	0	0	0	1	0	0	2	0	2	0	13
6:15	0	4	5	0	0	0	0	0	0	3	0	0	2	0	6	0	20
6:30	0	8	2	0	0	0	0	0	0	4	3	0	5	0	7	0	29
6:45	0	9	1	0	0	0	0	0	0	4	0	0	4	0	2	0	20
7:00	0	6	2	0	0	0	0	0	0	4	0	0	4	0	4	0	20
7:15	0	7	3	0	0	0	0	0	0	8	2	0	3	0	1	0	24
7:30	0	3	9	0	0	0	0	0	0	3	8	0	8	0	2	0	33
7:45	0	12	0	0	0	0	0	0	0	7	0	0	2	0	5	0	26
8:00	0	7	0	0	0	0	0	0	0	15	4	0	3	0	5	0	34
8:15	0	5	9	0	0	0	0	0	0	3	0	0	7	0	5	0	29
8:30	0	3	5	0	0	0	0	0	0	4	0	0	3	0	8	0	23
8:45	0	6	1	0	0	0	0	0	0	5	5	0	8	0	0	0	25
9:00	0	3	7	0	0	0	0	0	0	3	0	0	3	0	3	0	19
9:15	0	5	6	0	0	0	0	0	0	5	2	0	2	0	8	0	28
9:30	0	5	2	0	0	0	0	0	0	6	9	0	8	0	0	0	30
9:45	0	5	6	0	0	0	0	0	0	4	2	0	5	0	4	0	26
10:00	0	2	2	0	0	0	0	0	0	3	3	0	6	0	1	0	17
10:15	0	3	7	0	0	0	0	0	0	3	2	0	3	0	2	0	20
10:30	0	3	3	0	0	0	0	0	0	1	0	0	8	0	3	0	18
10:45	0	3	3	0	0	0	0	0	0	3	0	0	9	0	2	0	20
11:00	0	2	7	0	0	0	0	0	0	2	4	0	6	0	1	0	22
11:15	0	9	0	0	0	0	0	0	0	4	0	0	6	0	6	0	25
11:30	0	7	3	0	0	0	0	0	0	4	1	0	9	0	0	0	24
11:45	0	9	0	0	0	0	0	0	0	8	9	0	8	0	3	0	37
12:00	0	2	4	0	0	0	0	0	0	3	3	0	6	0	2	0	20
12:15	0	3	4	0	0	0	0	0	0	5	0	0	4	0	1	0	17
12:30	0	6	2	0	0	0	0	0	0	8	4	0	4	0	1	0	25
12:45	0	6	4	0	0	0	0	0	0	4	0	0	7	0	1	0	22
13:00	0	6	0	0	0	0	0	0	0	8	6	0	13	0	2	0	35
13:15	0	4	7	0	0	0	0	0	0	5	2	0	5	0	3	0	26
13:30	0	3	5	0	0	0	0	0	0	3	3	0	7	0	3	0	24
13:45	0	5	9	0	0	0	0	0	0	2	0	0	7	0	5	0	28
14:00	0	7	4	0	0	0	0	0	0	3	0	0	9	0	5	0	28
14:15	0	6	0	0	0	0	0	0	0	6	3	0	8	0	0	0	23
14:30	0	1	7	0	0	0	0	0	0	3	3	0	6	0	2	0	22
14:45	0	6	0	0	0	0	0	0	0	4	4	0	7	0	0	0	21
15:00	0	3	2	1	0	0	0	0	0	3	0	0	9	0	2	1	19
15:15	0	3	1	0	0	0	0	0	0	5	2	0	9	0	1	0	21
15:30	0	1	2	0	0	0	0	0	0	5	5	0	11	0	0	0	24
15:45	0	3	0	0	0	0	0	0	0	3	0	0	5	0	2	0	13
16:00	0	3	2	0	0	0	0	0	0	10	7	0	11	0	1	2	34
16:15	0	3	2	2	0	0	0	0	0	6	9	0	6	0	1	2	27
16:30	0	5	0	0	0	0	0	0	0	8	1	0	4	0	0	0	18
16:45	0	4	0	0	0	0	0	0	0	3	1	0	10	0	2	0	20
17:00	0	2	2	0	0	0	0	0	0	7	4	0	3	0	4	0	22
17:15	0	2	3	0	0	0	0	0	0	9	1	0	9	0	0	0	24
17:30	0	5	4	0	0	0	0	0	0	11	6	0	3	0	0	0	29
17:45	0	2	2	0	0	0	0	0	0	4	2	0	4	0	0	0	14
18:00	0	6	1	0	0	0	0	0	0	2	0	0	2	0	2	0	13
18:15	0	1	3	0	0	0	0	0	0	5	4	0	3	0	2	0	18
18:30	0	3	3	0	0	0	0	0	0	2	0	0	4	0	0	0	12
18:45	0	2	1	0	0	0	0	0	0	2	0	0	1	0	1	0	7
Total	0	234	160	3	0	0	0	0	0	246	124	0	301	0	123	5	1188
Cars+	0	11019	3074	6	0	0	0	0	0	12280	3256	0	8300	0	5028	9	42957
Trucks	0	234	160	3	0	0	0	0	0	246	124	0	301	0	123	5	1188
% Trucks	0.0	2.1	5.2	50.0	0.0	0.0	0.0	0.0	0.0	2.0	3.8	0.0	3.6	0.0	2.4	55.6	2.8
		2.8				0.0				2.4				3.2			2.8