

Location: TH 65 at 221st Avenue (CSAH 74)
 Count Date: 4/4/2017
 Counted By: JDA



TURNING MOVEMENT COUNT DATA
 All Vehicles

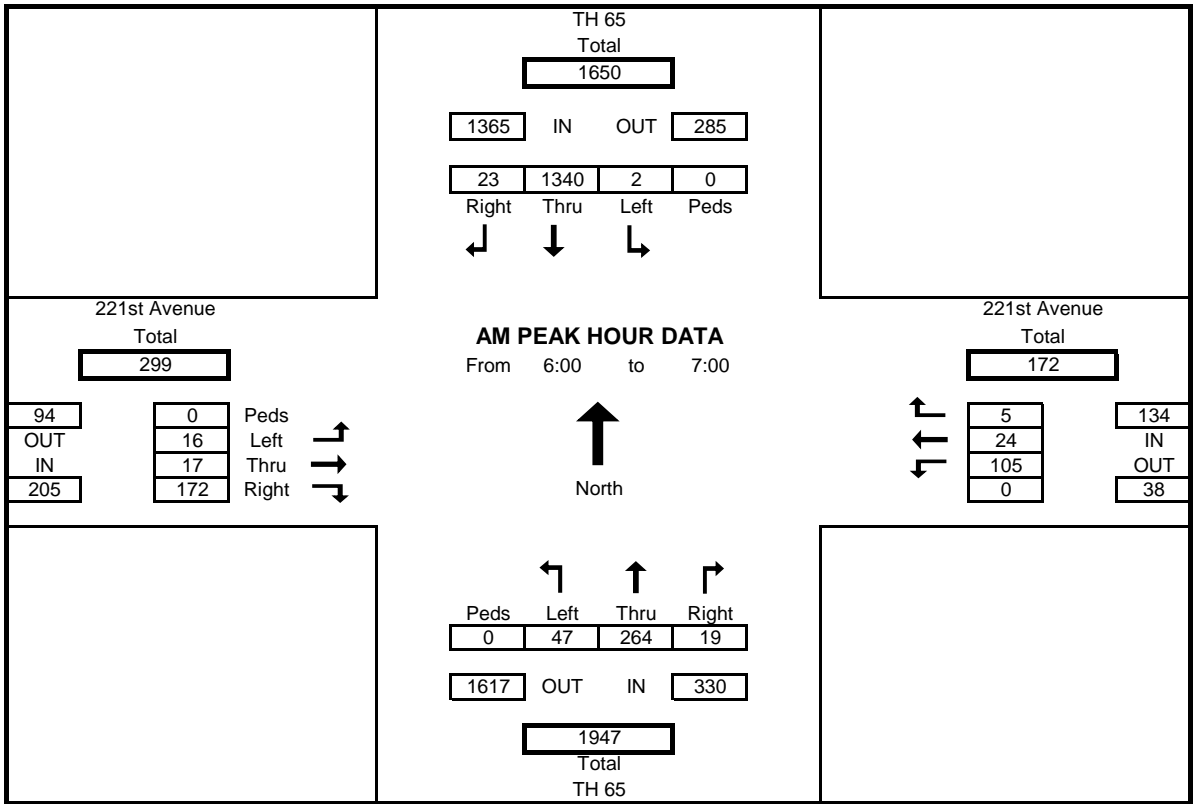
Start Time	TH 65				221st Avenue				TH 65				221st Avenue				Int. Total
	Southbound				Westbound				Northbound				Eastbound				
	Left	Thru	Right	Peds	Left	Thru	Right	Peds	Left	Thru	Right	Peds	Left	Thru	Right	Peds	
6:00	1	387	5	0	19	4	2	0	5	35	2	0	7	4	38	0	509
6:15	0	350	8	0	33	6	1	0	12	54	2	0	2	8	46	0	522
6:30	0	315	5	0	27	4	1	0	15	90	8	0	3	1	46	0	515
6:45	1	288	5	0	26	10	1	0	15	85	7	0	4	4	42	0	488
7:00	0	226	4	0	27	17	4	0	15	86	4	0	4	0	48	0	435
7:15	1	251	10	0	34	21	2	0	30	117	4	0	10	9	44	0	533
7:30	2	304	6	0	27	8	2	0	10	120	5	0	6	6	52	0	548
7:45	2	232	2	0	23	2	3	0	8	107	4	0	4	3	35	0	425
8:00	4	202	4	0	19	0	2	0	5	102	7	0	3	3	20	0	371
8:15	2	197	4	0	18	8	1	0	14	75	3	0	2	1	31	0	356
8:30	0	170	1	0	20	5	3	0	7	68	5	0	9	0	38	0	326
8:45	2	168	7	0	21	2	4	0	8	89	6	0	3	2	28	0	340
9:00	1	130	5	0	16	5	2	0	9	99	9	0	2	3	20	0	301
9:15	1	138	1	0	17	2	2	0	12	82	4	0	3	5	19	0	286
9:30	1	137	3	0	8	1	1	0	8	87	7	0	6	5	32	0	296
9:45	1	149	3	0	13	4	0	0	7	78	5	0	6	3	12	0	281
10:00	0	121	1	0	7	2	1	0	10	88	4	0	2	4	16	0	256
10:15	1	112	2	0	6	1	1	0	15	101	7	0	4	2	12	0	264
10:30	4	131	2	0	8	2	1	0	10	90	8	0	8	2	10	0	276
10:45	1	112	3	0	8	0	3	0	10	94	6	0	3	0	21	0	261
11:00	2	97	6	0	11	4	0	0	13	95	8	0	2	2	12	0	252
11:15	6	109	3	0	10	3	1	0	4	84	6	0	2	2	12	0	242
11:30	4	96	5	0	7	2	1	0	11	126	5	0	2	0	7	0	266
11:45	1	95	3	0	7	1	3	0	7	102	9	0	3	3	12	0	246
12:00	5	94	3	0	13	3	2	0	8	105	12	0	2	2	13	0	262
12:15	1	112	2	0	9	3	1	0	13	81	10	0	4	4	13	0	253
12:30	1	83	8	0	11	1	4	0	16	128	9	0	4	2	9	0	276
12:45	3	118	5	0	9	1	0	0	13	98	9	0	3	2	8	0	269
13:00	2	118	4	0	13	0	1	0	15	124	8	0	3	4	17	0	309
13:15	2	110	4	0	9	3	1	0	10	131	11	0	6	7	10	0	304
13:30	2	120	6	0	9	1	5	0	15	145	17	0	2	2	9	1	333
13:45	1	105	2	0	6	4	0	0	10	145	12	0	3	2	15	0	305
14:00	0	103	7	0	7	4	2	0	23	139	6	0	3	2	14	0	310
14:15	0	127	2	0	6	2	2	0	31	159	12	0	1	3	22	0	367
14:30	1	120	3	0	11	2	0	0	26	184	15	0	7	16	32	0	417
14:45	0	90	4	0	8	6	4	0	22	234	24	0	4	8	23	0	427
15:00	5	138	7	0	5	6	3	0	25	218	19	0	3	0	15	0	444
15:15	1	128	9	0	22	5	5	0	39	261	12	0	10	13	20	0	525
15:30	2	156	1	0	11	10	1	0	23	334	33	0	6	5	22	0	604
15:45	5	142	7	0	6	6	2	0	53	287	32	0	5	11	13	0	569
16:00	2	142	2	0	15	12	0	0	45	315	34	0	4	8	24	0	603
16:15	3	146	8	0	16	9	3	0	70	319	29	0	8	13	15	0	639
16:30	1	148	5	0	11	10	5	0	45	343	30	0	6	10	23	0	637
16:45	2	163	4	0	16	5	3	0	65	308	40	0	4	9	14	0	633
17:00	4	149	9	0	10	7	2	0	46	347	31	0	9	9	28	0	651
17:15	0	123	8	0	13	11	3	0	49	314	31	0	1	11	15	0	579
17:30	6	127	7	0	7	5	4	0	43	345	35	0	10	13	18	0	620
17:45	3	122	8	0	9	11	4	0	42	215	34	0	6	17	15	0	486
18:00	4	125	3	0	20	7	3	0	32	233	25	0	7	3	23	0	485
18:15	5	90	3	0	12	8	4	0	48	198	15	0	4	12	21	0	420
18:30	2	65	8	0	11	5	3	0	36	171	21	0	6	9	19	0	356
18:45	0	72	4	0	12	4	0	0	19	150	15	0	5	7	8	0	296
Total	101	7853	241	0	719	265	109	0	1142	8185	716	0	236	276	1131	1	20974
Cars+	96	7547	232	0	695	255	105	0	1109	7898	692	0	227	265	1099	0	20220
Trucks	5	306	9	0	24	10	4	0	33	287	24	0	9	11	32	1	754
% Trucks	5.2	4.1	3.9	0.0	3.5	3.9	3.8	0.0	3.0	3.6	3.5	0.0	4.0	4.2	2.9	#DIV/0!	3.7
		4.1				3.6				3.5				3.3			

Location: TH 65 at 221st Avenue (CSAH 74)
 Count Date: 4/4/2017
 Counted By: JDA



AM PEAK HOUR TURNING MOVEMENT DATA
 All Vehicles

Start Time	TH 65				221st Avenue				TH 65				221st Avenue				Int. Total
	Southbound				Westbound				Northbound				Eastbound				
	Left	Thru	Right	Peds	Left	Thru	Right	Peds	Left	Thru	Right	Peds	Left	Thru	Right	Peds	
6:00	1	387	5	0	19	4	2	0	5	35	2	0	7	4	38	0	509
6:15	0	350	8	0	33	6	1	0	12	54	2	0	2	8	46	0	522
6:30	0	315	5	0	27	4	1	0	15	90	8	0	3	1	46	0	515
6:45	1	288	5	0	26	10	1	0	15	85	7	0	4	4	42	0	488
Total	2	1340	23	0	105	24	5	0	47	264	19	0	16	17	172	0	2034
% App. Total	0.1	98.2	1.7	0.0	7.7	1.8	0.4	0.0	3.4	19.3	1.4	0.0	1.2	1.2	12.6	0.0	
PHF	0.500	0.866	0.719	0.000	0.795	0.600	0.625	0.000	0.783	0.733	0.594	0.000	0.571	0.531	0.935	0.000	0.974
% Trucks	0.0	2.3	0.0	0.0	0.0	4.3	0.0	0.0	11.9	4.8	5.6	0.0	6.7	30.8	3.0	0.0	3.0
	2.2				0.8				5.8				5.1				

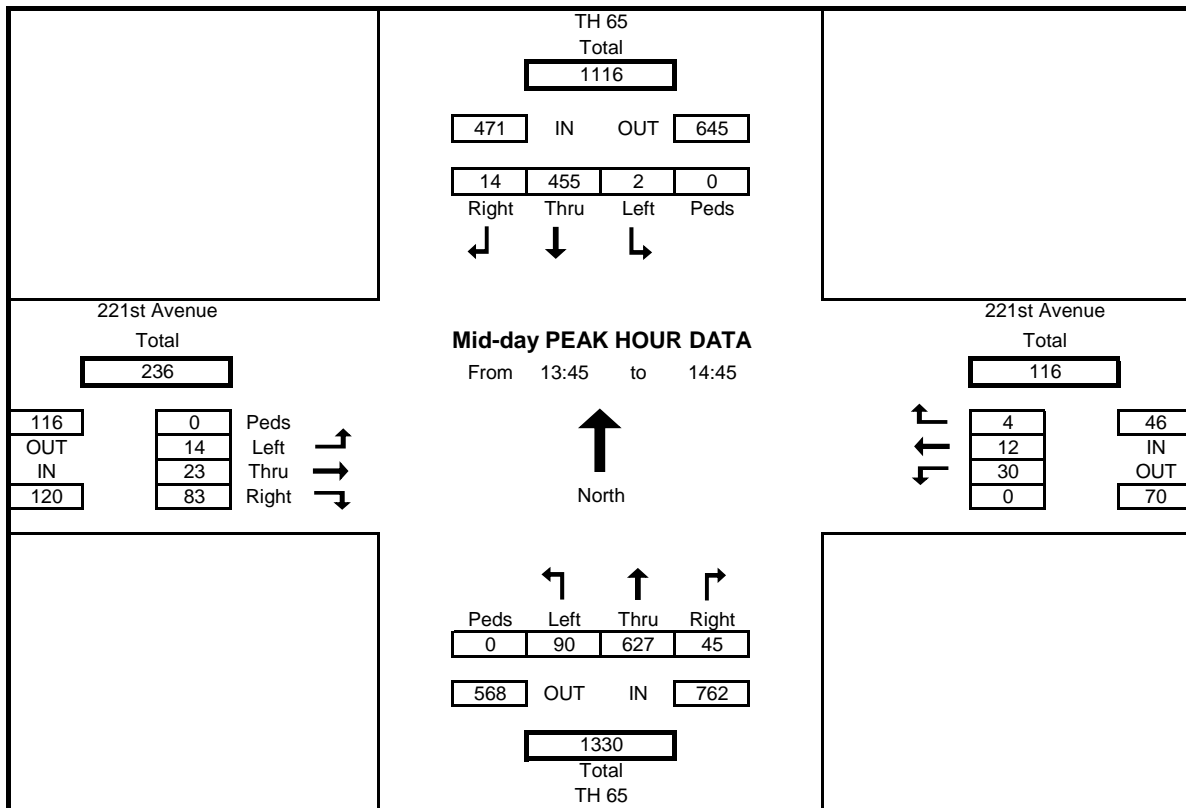


Location: TH 65 at 221st Avenue (CSAH 74)
 Count Date: 4/4/2017
 Counted By: JDA



Mid-Day PEAK HOUR TURNING MOVEMENT DATA
 All Vehicles

Start Time	TH 65				221st Avenue				TH 65				221st Avenue				Int. Total
	Southbound				Westbound				Northbound				Eastbound				
	Left	Thru	Right	Peds	Left	Thru	Right	Peds	Left	Thru	Right	Peds	Left	Thru	Right	Peds	
13:45	1	105	2	0	6	4	0	0	10	145	12	0	3	2	15	0	305
14:00	0	103	7	0	7	4	2	0	23	139	6	0	3	2	14	0	310
14:15	0	127	2	0	6	2	2	0	31	159	12	0	1	3	22	0	367
14:30	1	120	3	0	11	2	0	0	26	184	15	0	7	16	32	0	417
Total	2	455	14	0	30	12	4	0	90	627	45	0	14	23	83	0	1399
% App. Total	0.4	96.6	3.0	0.0	6.4	2.5	0.8	0.0	19.1	133.1	9.6	0.0	3.0	4.9	17.6	0.0	
PHF	0.500	0.896	0.500	0.000	0.682	0.750	0.500	0.000	0.726	0.852	0.750	0.000	0.500	0.359	0.648	0.000	0.839
% Trucks	0.0	6.3	7.7	0.0	0.0	0.0	0.0	0.0	4.7	5.2	2.3	0.0	7.7	9.5	3.8	0.0	5.3
		6.3			0.0				5.0				5.3				

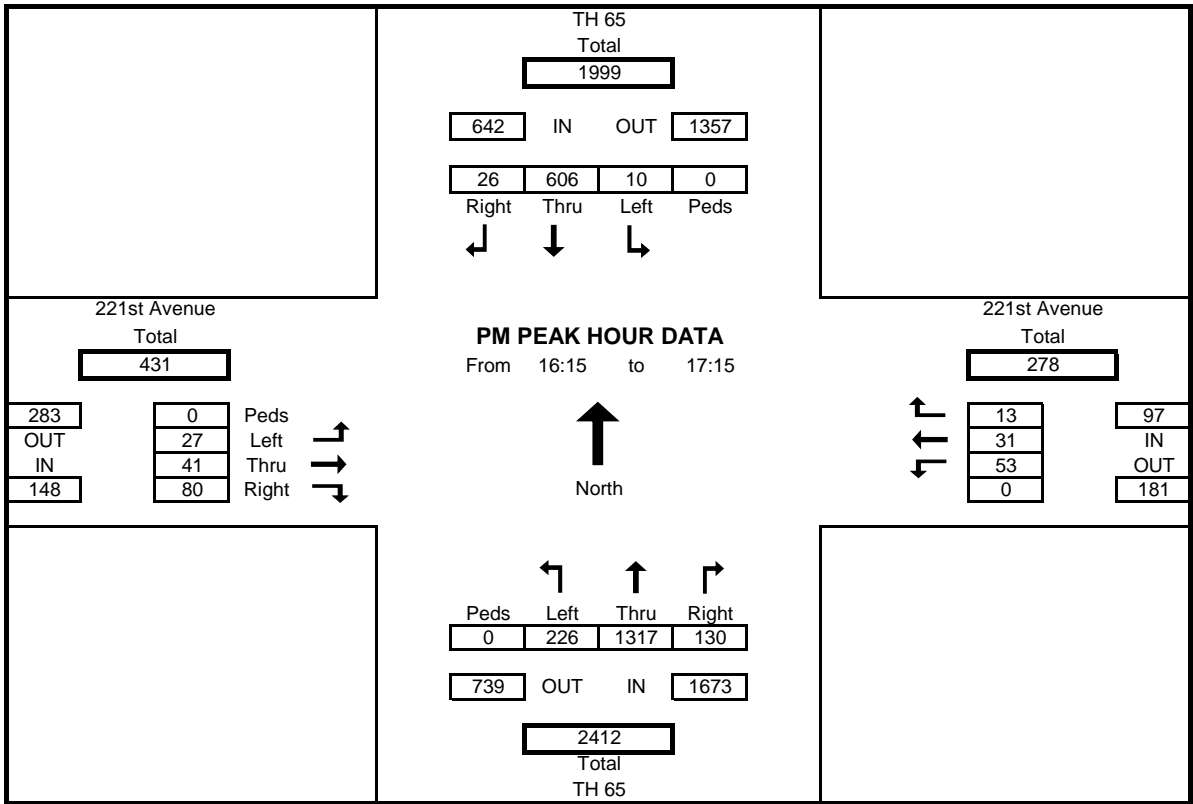


Location: TH 65 at 221st Avenue (CSAH 74)
 Count Date: 4/4/2017
 Counted By: JDA



AM PEAK HOUR TURNING MOVEMENT DATA
 All Vehicles

Start Time	TH 65				221st Avenue				TH 65				221st Avenue				Int. Total
	Southbound				Westbound				Northbound				Eastbound				
	Left	Thru	Right	Peds	Left	Thru	Right	Peds	Left	Thru	Right	Peds	Left	Thru	Right	Peds	
16:15	3	146	8	0	16	9	3	0	70	319	29	0	8	13	15	0	639
16:30	1	148	5	0	11	10	5	0	45	343	30	0	6	10	23	0	637
16:45	2	163	4	0	16	5	3	0	65	308	40	0	4	9	14	0	633
17:00	4	149	9	0	10	7	2	0	46	347	31	0	9	9	28	0	651
Total	10	606	26	0	53	31	13	0	226	1317	130	0	27	41	80	0	2560
% App. Total	1.6	94.4	4.0	0.0	8.3	4.8	2.0	0.0	35.2	205.1	20.2	0.0	4.2	6.4	12.5	0.0	
PHF	0.625	0.929	0.722	0.000	0.828	0.775	0.650	0.000	0.807	0.949	0.813	0.000	0.750	0.788	0.714	0.000	0.983
% Trucks	0.0	2.9	4.0	0.0	3.9	10.7	0.0	0.0	1.8	1.4	2.4	0.0	3.8	2.5	1.3	0.0	2.0
	2.9				5.4				1.5				2.1				



Location: TH 65 at 221st Avenue (CSAH 74)
 Count Date: 4/4/2017
 Counted By: JDA



TURNING MOVEMENT COUNT DATA

Cars+

Start Time	TH 65				221st Avenue				TH 65				221st Avenue				Int. Total
	Southbound				Westbound				Northbound				Eastbound				
	Left	Thru	Right	Peds	Left	Thru	Right	Peds	Left	Thru	Right	Peds	Left	Thru	Right	Peds	
6:00	1	381	5	0	19	4	2	0	5	33	2	0	7	2	37	0	498
6:15	0	343	8	0	33	6	1	0	11	49	1	0	2	6	44	0	504
6:30	0	308	5	0	27	4	1	0	14	87	8	0	2	1	44	0	501
6:45	1	278	5	0	26	9	1	0	12	83	7	0	4	4	42	0	472
7:00	0	221	4	0	27	17	3	0	14	82	4	0	4	0	48	0	424
7:15	1	245	10	0	34	20	2	0	30	111	4	0	10	9	41	0	517
7:30	2	297	5	0	27	8	2	0	10	116	4	0	5	6	51	0	533
7:45	2	226	2	0	23	2	3	0	8	99	4	0	4	2	31	0	406
8:00	4	197	4	0	18	0	2	0	5	98	7	0	3	3	18	0	359
8:15	2	190	4	0	18	7	1	0	14	72	3	0	2	1	31	0	345
8:30	0	163	1	0	19	5	3	0	7	64	4	0	9	0	37	0	312
8:45	1	159	6	0	18	2	4	0	8	81	5	0	3	2	27	0	316
9:00	0	124	4	0	13	5	2	0	8	91	9	0	2	3	19	0	280
9:15	1	130	1	0	16	2	2	0	12	77	3	0	2	5	19	0	270
9:30	1	134	3	0	7	1	1	0	8	82	7	0	6	5	32	0	287
9:45	1	142	3	0	12	4	0	0	7	73	5	0	5	3	12	0	267
10:00	0	111	1	0	7	2	1	0	10	76	4	0	2	4	16	0	234
10:15	1	108	2	0	6	1	1	0	14	97	5	0	4	2	11	0	252
10:30	4	122	2	0	8	2	1	0	9	87	8	0	7	2	10	0	262
10:45	1	107	3	0	8	0	3	0	10	85	6	0	1	0	20	0	244
11:00	2	91	6	0	11	3	0	0	13	86	7	0	2	2	11	0	234
11:15	5	100	3	0	10	3	0	0	4	80	6	0	2	2	12	0	227
11:30	4	89	5	0	7	2	1	0	10	116	5	0	2	0	7	0	248
11:45	0	86	3	0	6	1	3	0	7	96	9	0	3	3	11	0	228
12:00	5	88	3	0	13	3	2	0	8	94	12	0	2	2	11	0	243
12:15	1	106	2	0	9	3	1	0	11	76	10	0	4	4	12	0	239
12:30	0	77	7	0	11	1	4	0	16	118	9	0	4	0	9	0	256
12:45	3	107	5	0	9	1	0	0	12	94	9	0	3	2	8	0	253
13:00	2	109	4	0	12	0	1	0	15	112	7	0	3	4	17	0	286
13:15	2	102	4	0	9	3	1	0	10	126	9	0	6	7	9	0	288
13:30	2	118	6	0	9	1	4	0	15	137	17	0	2	2	9	0	322
13:45	1	100	2	0	6	4	0	0	10	135	12	0	3	2	13	0	288
14:00	0	96	6	0	7	4	2	0	20	135	6	0	2	2	13	0	293
14:15	0	119	2	0	6	2	2	0	30	150	12	0	1	3	22	0	349
14:30	1	113	3	0	11	2	0	0	26	176	14	0	7	14	32	0	399
14:45	0	84	4	0	8	5	4	0	19	221	24	0	4	8	23	0	404
15:00	5	132	6	0	5	5	3	0	25	212	19	0	3	0	14	0	429
15:15	1	123	8	0	17	5	5	0	36	256	12	0	10	13	20	0	506
15:30	2	149	1	0	9	10	1	0	22	330	32	0	6	5	22	0	589
15:45	5	136	6	0	6	6	2	0	52	283	27	0	5	11	13	0	552
16:00	2	138	2	0	14	11	0	0	45	310	32	0	4	7	24	0	589
16:15	3	143	7	0	16	8	3	0	69	315	29	0	7	13	15	0	628
16:30	1	146	5	0	11	9	5	0	44	339	28	0	6	9	23	0	626
16:45	2	156	4	0	15	4	3	0	64	305	40	0	4	9	14	0	620
17:00	4	144	9	0	9	7	2	0	45	340	30	0	9	9	27	0	635
17:15	0	122	8	0	13	11	3	0	48	314	31	0	1	11	15	0	577
17:30	6	127	7	0	7	5	4	0	41	343	35	0	10	13	18	0	616
17:45	3	119	8	0	9	11	4	0	41	212	34	0	6	17	15	0	479
18:00	4	120	3	0	20	7	3	0	32	228	25	0	7	3	22	0	474
18:15	5	89	3	0	11	8	3	0	48	197	14	0	4	12	21	0	415
18:30	2	63	8	0	11	5	3	0	36	169	21	0	6	9	19	0	352
18:45	0	69	4	0	12	4	0	0	19	150	15	0	5	7	8	0	293
Total	96	7547	232	0	695	255	105	0	1109	7898	692	0	227	265	1099	0	20220
Cars+	96	7547	232	0	695	255	105	0	1109	7898	692	0	227	265	1099	0	20220
Trucks	5	306	9	0	24	10	4	0	33	287	24	0	9	11	32	1	754
% Trucks	5.2	4.1	3.9	0.0	3.5	3.9	3.8	0.0	3.0	3.6	3.5	0.0	4.0	4.2	2.9	0.0	3.7
		4.1				3.6				3.5				3.3			

Location: TH 65 at 221st Avenue (CSAH 74)
 Count Date: 4/4/2017
 Counted By: JDA



TURNING MOVEMENT COUNT DATA
Heavy Vehicles

Start Time	TH 65				221st Avenue				TH 65				221st Avenue				Int. Total
	Southbound				Westbound				Northbound				Eastbound				
	Left	Thru	Right	Bikes	Left	Thru	Right	Bikes	Left	Thru	Right	Bikes	Left	Thru	Right	Bikes	
6:00	0	6	0	0	0	0	0	0	0	2	0	0	0	2	1	0	11
6:15	0	7	0	0	0	0	0	0	1	5	1	0	0	2	2	0	18
6:30	0	7	0	0	0	0	0	0	1	3	0	0	1	0	2	0	14
6:45	0	10	0	0	0	1	0	0	3	2	0	0	0	0	0	0	16
7:00	0	5	0	0	0	0	1	0	1	4	0	0	0	0	0	0	11
7:15	0	6	0	0	0	1	0	0	0	6	0	0	0	0	3	0	16
7:30	0	7	1	0	0	0	0	0	0	4	1	0	1	0	1	0	15
7:45	0	6	0	0	0	0	0	0	0	8	0	0	0	1	4	0	19
8:00	0	5	0	0	1	0	0	0	0	4	0	0	0	0	2	0	12
8:15	0	7	0	0	0	1	0	0	0	3	0	0	0	0	0	0	11
8:30	0	7	0	0	1	0	0	0	0	4	1	0	0	0	1	0	14
8:45	1	9	1	0	3	0	0	0	0	8	1	0	0	0	1	0	24
9:00	1	6	1	0	3	0	0	0	1	8	0	0	0	0	1	0	21
9:15	0	8	0	0	1	0	0	0	0	5	1	0	1	0	0	0	16
9:30	0	3	0	0	1	0	0	0	0	5	0	0	0	0	0	0	9
9:45	0	7	0	0	1	0	0	0	0	5	0	0	1	0	0	0	14
10:00	0	10	0	0	0	0	0	0	0	12	0	0	0	0	0	0	22
10:15	0	4	0	0	0	0	0	0	1	4	2	0	0	0	1	0	12
10:30	0	9	0	0	0	0	0	0	1	3	0	0	1	0	0	0	14
10:45	0	5	0	0	0	0	0	0	0	9	0	0	2	0	1	0	17
11:00	0	6	0	0	0	1	0	0	0	9	1	0	0	0	1	0	18
11:15	1	9	0	0	0	0	1	0	0	4	0	0	0	0	0	0	15
11:30	0	7	0	0	0	0	0	0	1	10	0	0	0	0	0	0	18
11:45	1	9	0	0	1	0	0	0	0	6	0	0	0	0	1	0	18
12:00	0	6	0	0	0	0	0	0	0	11	0	0	0	0	2	0	19
12:15	0	6	0	0	0	0	0	0	2	5	0	0	0	0	1	0	14
12:30	1	6	1	0	0	0	0	0	0	10	0	0	0	2	0	0	20
12:45	0	11	0	0	0	0	0	0	1	4	0	0	0	0	0	0	16
13:00	0	9	0	0	1	0	0	0	0	12	1	0	0	0	0	0	23
13:15	0	8	0	0	0	0	0	0	0	5	2	0	0	0	1	0	16
13:30	0	2	0	0	0	0	1	0	0	8	0	0	0	0	0	1	11
13:45	0	5	0	0	0	0	0	0	0	10	0	0	0	0	2	0	17
14:00	0	7	1	0	0	0	0	0	3	4	0	0	1	0	1	0	17
14:15	0	8	0	0	0	0	0	0	1	9	0	0	0	0	0	0	18
14:30	0	7	0	0	0	0	0	0	0	8	1	0	0	2	0	0	18
14:45	0	6	0	0	0	1	0	0	3	13	0	0	0	0	0	0	23
15:00	0	6	1	0	0	1	0	0	0	6	0	0	0	0	1	0	15
15:15	0	5	1	0	5	0	0	0	3	5	0	0	0	0	0	0	19
15:30	0	7	0	0	2	0	0	0	1	4	1	0	0	0	0	0	15
15:45	0	6	1	0	0	0	0	0	1	4	5	0	0	0	0	0	17
16:00	0	4	0	0	1	1	0	0	0	5	2	0	0	1	0	0	14
16:15	0	3	1	0	0	1	0	0	1	4	0	0	1	0	0	0	11
16:30	0	2	0	0	0	1	0	0	1	4	2	0	0	1	0	0	11
16:45	0	7	0	0	1	1	0	0	1	3	0	0	0	0	0	0	13
17:00	0	5	0	0	1	0	0	0	1	7	1	0	0	0	1	0	16
17:15	0	1	0	0	0	0	0	0	1	0	0	0	0	0	0	0	2
17:30	0	0	0	0	0	0	0	0	2	2	0	0	0	0	0	0	4
17:45	0	3	0	0	0	0	0	0	1	3	0	0	0	0	0	0	7
18:00	0	5	0	0	0	0	0	0	0	5	0	0	0	0	1	0	11
18:15	0	1	0	0	1	0	1	0	0	1	1	0	0	0	0	0	5
18:30	0	2	0	0	0	0	0	0	0	2	0	0	0	0	0	0	4
18:45	0	3	0	0	0	0	0	0	0	0	0	0	0	0	0	0	3
Total	5	306	9	0	24	10	4	0	33	287	24	0	9	11	32	1	754
Cars+	96	7547	232	0	695	255	105	0	1109	7898	692	0	227	265	1099	0	20220
Trucks	5	306	9	0	24	10	4	0	33	287	24	0	9	11	32	1	754
% Trucks	5.2	4.1	3.9	0.0	3.5	3.9	3.8	0.0	3.0	3.6	3.5	0.0	4.0	4.2	2.9	#DIV/0!	3.7
		4.1				3.6				3.5				3.3			