



MINNESOTA DEPT OF TRANSPORTATION

TRAFFIC DATA COLLECTION - METRO

TH-7 at 12th Ave N., Hopkins

ref.pt.:

Counter: Ken Levin ALLIANT CONSUL

TURN MOVEMENT COUNT

File Name : TH-7 at 12th Ave N 2007

Site Code : 00000147

Start Date : 11/29/2007

Page No : 1

Groups Printed- Cars & Trucks

Start Time	12th Ave N Southbound				TH-7 Westbound				12th Ave N Northbound				TH-7 Eastbound				Int. Total
	Left	Thru	Right	Peds	Left	Thru	Right	Peds	Left	Thru	Right	Peds	Left	Thru	Right	Peds	
06:00	4	1	1	0	2	30	1	0	1	2	5	0	1	62	2	0	112
06:15	5	2	0	0	1	51	3	0	2	1	5	0	2	111	1	0	184
06:30	9	1	0	0	4	67	2	0	1	3	7	0	2	163	2	0	261
06:45	21	1	4	0	3	99	5	0	7	6	11	0	4	213	3	0	377
Total	39	5	5	0	10	247	11	0	11	12	28	0	9	549	8	0	934
07:00	24	1	5	0	8	85	8	0	3	2	11	0	1	253	3	0	404
07:15	21	1	4	0	7	136	8	0	6	4	23	0	1	312	5	0	528
07:30	24	4	3	0	2	143	7	0	8	5	9	0	6	347	5	0	563
07:45	21	1	4	0	8	233	6	0	11	3	19	0	9	326	8	0	649
Total	90	7	16	0	25	597	29	0	28	14	62	0	17	1238	21	0	2144
08:00	24	6	8	0	8	160	16	0	4	5	17	0	6	322	4	0	580
08:15	34	2	4	0	9	119	10	0	6	5	12	0	6	296	3	0	506
08:30	31	9	3	0	11	165	18	0	10	5	9	0	8	246	4	0	519
08:45	42	6	6	0	11	174	10	0	5	8	12	0	17	246	8	0	545
Total	131	23	21	0	39	618	54	0	25	23	50	0	37	1110	19	0	2150
09:00	30	9	9	0	4	138	13	0	7	4	9	0	9	192	11	0	435
09:15	21	7	3	0	8	100	13	0	6	8	9	0	6	153	18	0	352
*** BREAK ***																	
Total	51	16	12	0	12	238	26	0	13	12	18	0	15	345	29	0	787
*** BREAK ***																	
10:30	9	2	6	0	4	108	6	0	1	4	4	0	1	154	7	0	306
10:45	13	2	0	0	5	126	7	0	5	1	9	0	1	151	5	0	325
Total	22	4	6	0	9	234	13	0	6	5	13	0	2	305	12	0	631
11:00	16	2	0	0	5	131	10	0	7	1	4	0	1	149	2	0	328
11:15	17	9	5	0	11	144	12	0	9	3	10	0	1	155	3	0	379
11:30	14	5	6	0	11	157	7	0	8	4	8	0	3	178	7	0	408
11:45	27	7	4	0	7	148	5	0	6	5	5	0	1	161	5	0	381
Total	74	23	15	0	34	580	34	0	30	13	27	0	6	643	17	0	1496
12:00	15	10	6	0	13	185	7	0	7	3	11	0	0	144	14	0	415
12:15	23	8	9	0	11	146	8	0	12	7	11	0	3	142	9	0	389
12:30	12	4	7	0	7	145	8	0	12	4	5	0	5	206	8	0	423
12:45	14	5	5	0	4	157	14	0	5	4	13	0	15	156	6	0	398
Total	64	27	27	0	35	633	37	0	36	18	40	0	23	648	37	0	1625
13:00	14	4	2	0	10	160	10	0	13	2	6	0	6	147	9	0	383
13:15	14	5	5	0	9	178	9	0	9	2	14	0	2	162	7	0	416
*** BREAK ***																	
Total	28	9	7	0	19	338	19	0	22	4	20	0	8	309	16	0	799
*** BREAK ***																	
14:30	18	6	7	0	11	192	11	0	20	3	24	0	1	171	6	0	470
14:45	20	6	5	0	18	253	7	0	13	5	15	0	3	184	7	0	536
Total	38	12	12	0	29	445	18	0	33	8	39	0	4	355	13	0	1006
15:00	24	2	4	0	15	196	10	0	11	7	12	0	3	153	4	0	441
15:15	18	5	13	0	13	214	13	0	3	6	11	0	12	158	12	0	478
15:30	31	14	11	0	10	266	7	0	17	6	8	0	5	181	10	0	566
15:45	28	1	9	0	15	287	11	0	9	3	11	0	2	187	15	0	578
Total	101	22	37	0	53	963	41	0	40	22	42	0	22	679	41	0	2063



MINNESOTA DEPT OF TRANSPORTATION

TRAFFIC DATA COLLECTION - METRO

TH-7 at 12th Ave N., Hopkins

ref.pt.:

Counter: Ken Levin ALLIANT CONSUL

TURN MOVEMENT COUNT

File Name : TH-7 at 12th Ave N 2007

Site Code : 00000147

Start Date : 11/29/2007

Page No : 2

Groups Printed- Cars & Trucks

Start Time	12th Ave N Southbound				TH-7 Westbound				12th Ave N Northbound				TH-7 Eastbound				Int. Total
	Left	Thru	Right	Peds	Left	Thru	Right	Peds	Left	Thru	Right	Peds	Left	Thru	Right	Peds	
16:00	14	4	8	0	16	287	14	0	16	5	13	0	1	174	15	0	567
16:15	20	5	7	0	22	296	12	0	27	2	13	0	3	194	9	0	610
16:30	14	5	2	1	16	314	6	0	18	3	11	0	0	201	7	0	598
16:45	18	10	0	0	15	333	14	0	18	4	10	0	7	202	12	0	643
Total	66	24	17	1	69	1230	46	0	79	14	47	0	11	771	43	0	2418
17:00	15	5	1	0	16	305	9	0	21	5	8	0	4	247	17	0	653
17:15	19	7	4	0	12	369	10	0	19	5	13	0	7	291	15	1	772
17:30	25	8	6	0	12	326	14	0	18	5	10	0	5	220	14	0	663
17:45	16	4	5	1	13	336	7	0	14	5	14	0	3	219	9	1	647
Total	75	24	16	1	53	1336	40	0	72	20	45	0	19	977	55	2	2735
Grand Total	779	196	191	2	387	7459	368	0	395	165	431	0	173	7929	311	2	18788
Apprch %	66.7	16.8	16.4	0.2	4.7	90.8	4.5	0	39.9	16.6	43.5	0	2.1	94.2	3.7	0	
Total %	4.1	1	1	0	2.1	39.7	2	0	2.1	0.9	2.3	0	0.9	42.2	1.7	0	



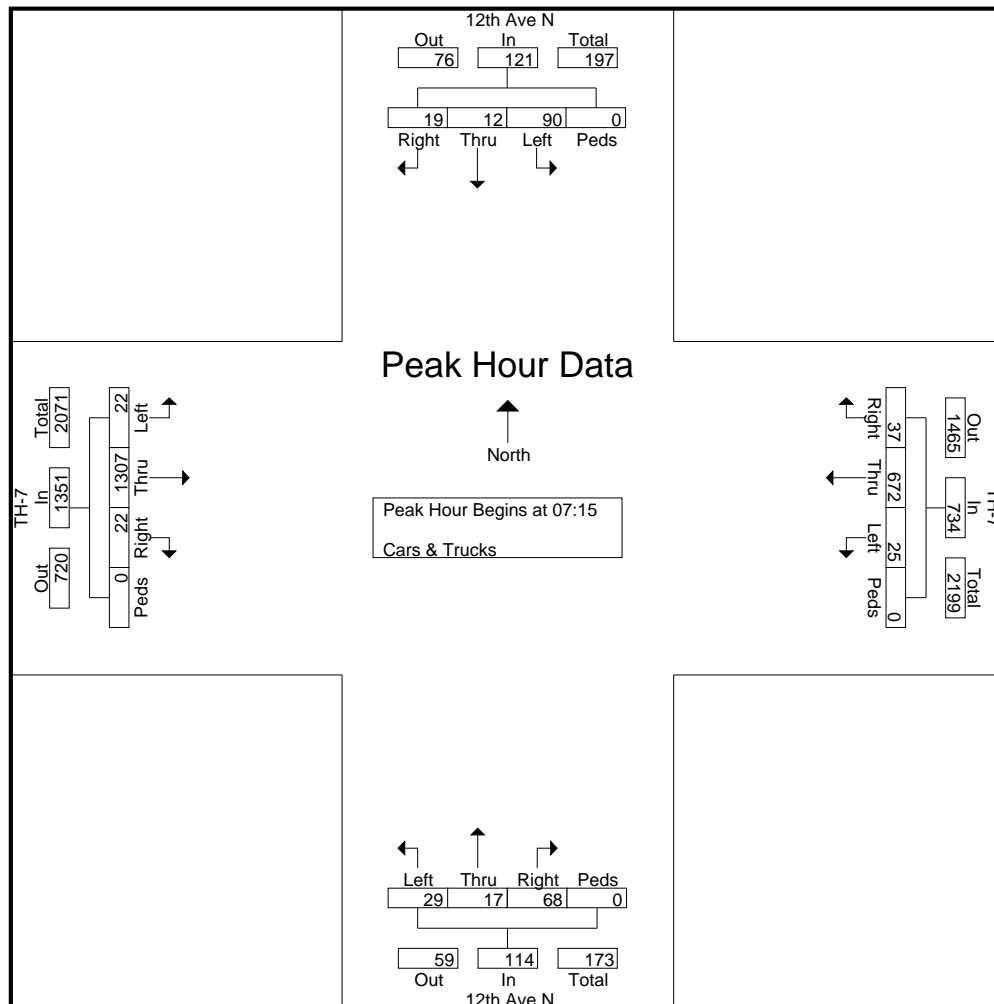
MINNESOTA DEPT OF TRANSPORTATION

TRAFFIC DATA COLLECTION - METRO

TH-7 at 12th Ave N., Hopkins
 ref.pt.:
 Counter: Ken Levin ALLIANT CONSUL
 TURN MOVEMENT COUNT

File Name : TH-7 at 12th Ave N 2007
 Site Code : 00000147
 Start Date : 11/29/2007
 Page No : 3

Start Time	12th Ave N Southbound					TH-7 Westbound					12th Ave N Northbound					TH-7 Eastbound					Int. Total
	Left	Thru	Right	Peds	App. Total	Left	Thru	Right	Peds	App. Total	Left	Thru	Right	Peds	App. Total	Left	Thru	Right	Peds	App. Total	
Peak Hour Analysis From 06:00 to 09:15 - Peak 1 of 1																					
Peak Hour for Entire Intersection Begins at 07:15																					
07:15	21	1	4	0	26	7	136	8	0	151	6	4	23	0	33	1	312	5	0	318	528
07:30	24	4	3	0	31	2	143	7	0	152	8	5	9	0	22	6	347	5	0	358	563
07:45	21	1	4	0	26	8	233	6	0	247	11	3	19	0	33	9	326	8	0	343	649
08:00	24	6	8	0	38	8	160	16	0	184	4	5	17	0	26	6	322	4	0	332	580
Total Volume	90	12	19	0	121	25	672	37	0	734	29	17	68	0	114	22	1307	22	0	1351	2320
% App. Total	74.4	9.9	15.7	0		3.4	91.6	5	0		25.4	14.9	59.6	0		1.6	96.7	1.6	0		
PHF	.938	.500	.594	.000	.796	.781	.721	.578	.000	.743	.659	.850	.739	.000	.864	.611	.942	.688	.000	.943	.894





MINNESOTA DEPT OF TRANSPORTATION

TRAFFIC DATA COLLECTION - METRO

TH-7 at 12th Ave N., Hopkins
 ref.pt.:
 Counter: Ken Levin ALLIANT CONSUL
 TURN MOVEMENT COUNT

File Name : TH-7 at 12th Ave N 2007
 Site Code : 00000147
 Start Date : 11/29/2007
 Page No : 4

Start Time	12th Ave N Southbound					TH-7 Westbound					12th Ave N Northbound					TH-7 Eastbound					Int. Total
	Left	Thru	Right	Peds	App. Total	Left	Thru	Right	Peds	App. Total	Left	Thru	Right	Peds	App. Total	Left	Thru	Right	Peds	App. Total	
Peak Hour Analysis From 14:30 to 17:45 - Peak 1 of 1																					
Peak Hour for Entire Intersection Begins at 17:00																					
17:00	15	5	1	0	21	16	305	9	0	330	21	5	8	0	34	4	247	17	0	268	653
17:15	19	7	4	0	30	12	369	10	0	391	19	5	13	0	37	7	291	15	1	314	772
17:30	25	8	6	0	39	12	326	14	0	352	18	5	10	0	33	5	220	14	0	239	663
17:45	16	4	5	1	26	13	336	7	0	356	14	5	14	0	33	3	219	9	1	232	647
Total Volume	75	24	16	1	116	53	1336	40	0	1429	72	20	45	0	137	19	977	55	2	1053	2735
% App. Total	64.7	20.7	13.8	0.9		3.7	93.5	2.8	0		52.6	14.6	32.8	0		1.8	92.8	5.2	0.2		
PHF	.750	.750	.667	.250	.744	.828	.905	.714	.000	.914	.857	1.000	.804	.000	.926	.679	.839	.809	.500	.838	.886

